



Chipsmall Limited consists of a professional team with an average of over 10 year of expertise in the distribution of electronic components. Based in Hongkong, we have already established firm and mutual-benefit business relationships with customers from,Europe,America and south Asia,supplying obsolete and hard-to-find components to meet their specific needs.

With the principle of "Quality Parts,Customers Priority,Honest Operation,and Considerate Service",our business mainly focus on the distribution of electronic components. Line cards we deal with include Microchip,ALPS,ROHM,Xilinx,Pulse,ON,Everlight and Freescale. Main products comprise IC,Modules,Potentiometer,IC Socket,Relay,Connector.Our parts cover such applications as commercial,industrial, and automotives areas.

We are looking forward to setting up business relationship with you and hope to provide you with the best service and solution. Let us make a better world for our industry!



Contact us

Tel: +86-755-8981 8866 Fax: +86-755-8427 6832

Email & Skype: info@chipsmall.com Web: www.chipsmall.com

Address: A1208, Overseas Decoration Building, #122 Zhenhua RD., Futian, Shenzhen, China



Instructions and Parts List

3M™ Lane Marking Applicator M-77

Description

The M-77 is used to apply Vinyl Tape 471 to floor surfaces in manufacturing and commercial plants. The M-77 is used for lane marking, aisle designations, storage boundaries and for channeling traffic to permit direct flow of personnel and products. The M-77 can apply one or two color tape applications on most types of floor surfaces. The wide applying roller is constructed so that it also forces the tape into crevices and depressions often found in older wood and concrete floors.

Specifications

Tape: 3M Vinyl Tape 471

Tape Widths: 4 inches or 96 mm wide maximum:
1/4 inch or 6 mm wide minimum

Tape Roll Diameter: 4-1/2 inches [115 mm]
maximum (36 yards [33 m] on a 3 inch [76.2 mm]
core.)

Overall Dimensions:

Length – 18-1/2 inches [470 mm]

Height – 40 inches [1015 mm]

Width – 13 inches [330 mm]

Weight: Packaged 14 lbs. [6.4 kg]
Unpackaged 11 lbs. [5.0 kg]



Lane Marking Applicator M-77

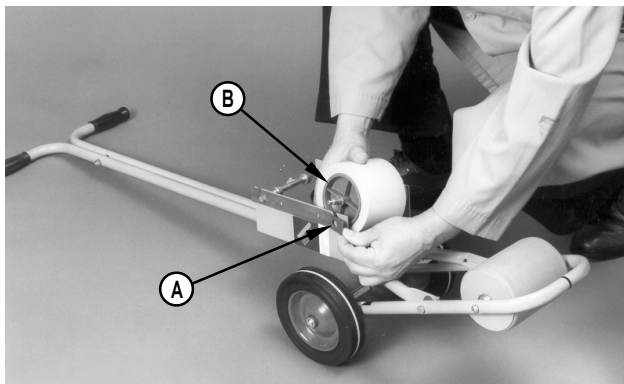


Figure 1

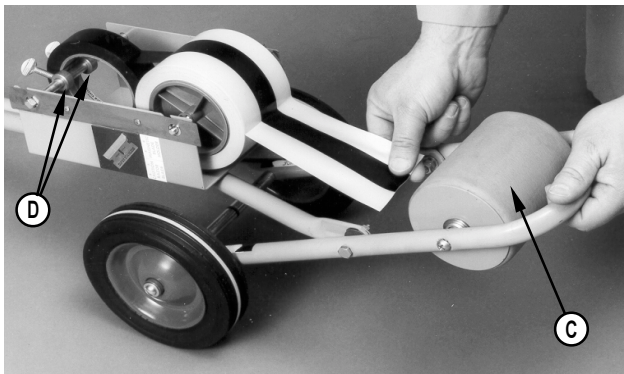


Figure 2

Loading Instructions

Refer to Figures 1 through 3 and follow the steps below to load tape roll(s) for one or two color tape applications.

1. Position M-77 on a flat surface so applicator rests squarely on handle and front wheels as shown
2. Press out on end of retainer (A) and lift tape drum assembly from applicator.
3. Install tape roll (3 inch or 72 mm to 4 inch or 96 mm wide) on to tape drum assembly so roll is fully against end drum flange (B).
4. Replace tape drum assembly with tape into bracket so tape is dispensed toward apply roller (C), adhesive side down.
5. For double tape roll applications – install second tape roll (1/4 inch or 6 mm to 1 inch or 24 mm wide) onto tape roll shaft between two collars (D) to dispense tape toward applying roll, adhesive side down. Tighten thumb screws to secure collars allowing tape roll to turn freely.

(Loading instructions continued on next page.)

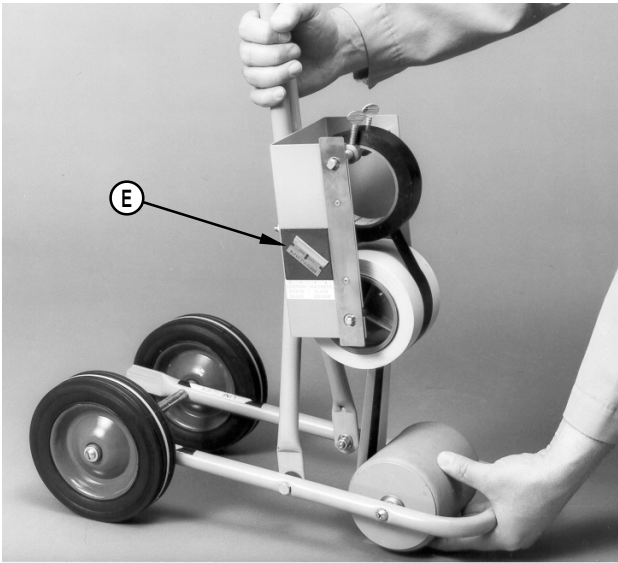


Figure 3

Operating Instructions

Surface to be taped must be clear of dust, dirt, grease or other foreign materials. Allow solvents or liquids used for cleaning to dry thoroughly.

Use a guide line, such as a chalk line, for best application results. Mark a line (F, Figure 4) on surface, one inch from either edge of desired tape application. For curved tape line applications, distance between guide line and applied tape may vary with some tapes.

Two line guides (E-F, Figure 4) are provided for guiding from either side of applicator.

Note: Install the tape drum assembly and tape with the drum flange (B, Figure 1) on the same side as the guide line.

If center guide line is desired for tape applications, use black line guide (G, Figure 4) on front wheel shaft.

To Start Tape Application

1. Position applicator with tape so proper guide is over line as shown (Figure 4).
2. Push applicator forward following guide line. Exert only normal force on applying roller. Maintain even contact between roller and floor.

To End Tape Application

1. Hold handle upright and remove razor blade from blade holder.
2. Cut tape directly behind applicator as shown (Figure 5). Replace blade on holder.
3. Lift applicator up by handle to retrieve loose tape end. Hold tape to underside of applying roller and position for next tape application. Rewind tape onto roll(s) when not in use.

Curved tape lines may be applied if care is used to insure constant contact between applying roller and floor. It is important that contact is kept for full width of roller. Sharpness of curve is dependent upon width of tape used. If slight wrinkles are encountered on inside of tape curve, smooth or work out with hand pressure.

Loading Instructions (Continued)

6. Adhere narrow width tape to wide tape roll and thread both tapes down through applicator frame to underside of applying roller (C).
7. Hold tape(s) to underside of roller. Lift handle upright and position applicator and tape on surface to be taped in direction of tape application.

The M-77 is supplied with a pack of single edge razor blades for use in the tape application cut-off.

A magnetic blade holder (E) is located on the tape roll bracket. For safety, place razor blade fully onto holder as shown when not in use.

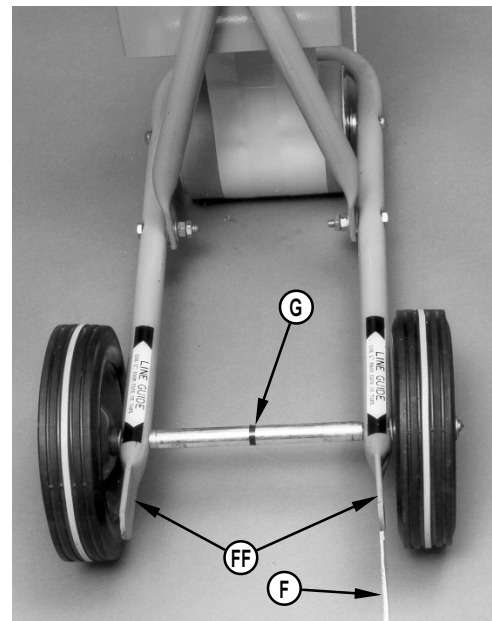


Figure 4



Figure 5

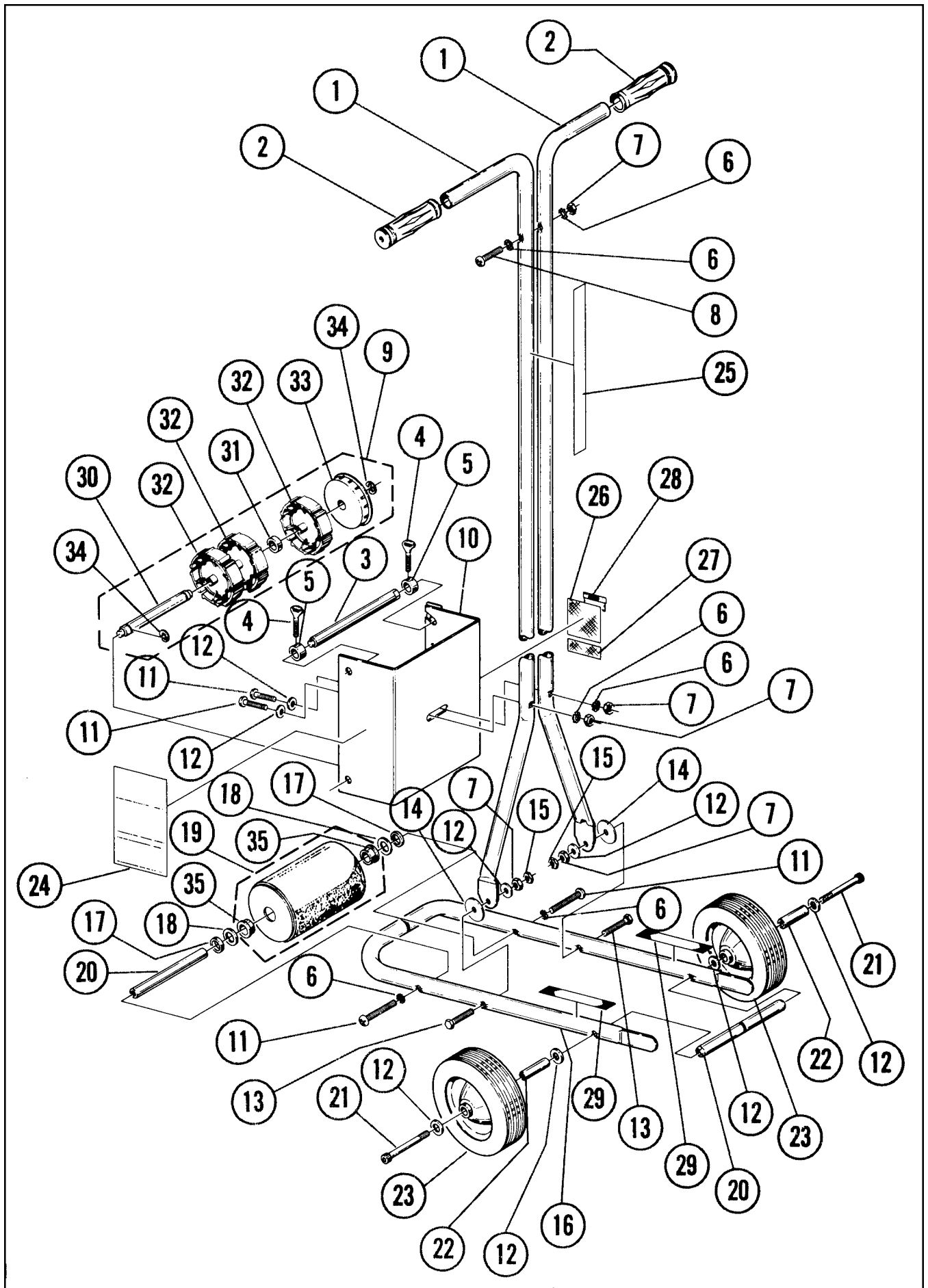


Figure 6– Replacement Parts Illustration

Replacement Parts List

Ref. No.	Part Number	Part Name
1	70-8000-1234-9	Frame, Handle
2	70-8693-2880-0	Grip, Vinyl Flex, 3/4 x 3-3/8 Blk.
3	70-8000-4044-9	Shaft, Tape Drum Upper
4	26-1015-0123-2	Screw, Thumb, Pressed 1/4-20 x 1 Lg. Stl.Zn.Pl.
5	26-1015-0133-1	Collar, 3/8 ID x 3/4 OD x 3/8 Wide w/o Set Screw, Stl.Zn.Pl.
6	26-1003-6672-8	Washer, Lock Tooth Ext., 1/4 Stl.Zn.Pl.
7	12-7991-1510-5	Nut, Mach. Screw Hex 1/4-20 Stl.Zn.Pl.
8	26-1015-0125-7	Screw, Mach. Rd. Hd. Phillips 1/4-20 x 1-3/4 Lg. Stl.Zn.Pl.
9	70-8000-4046-4	Tape Drum Assembly
*10	70-8000-4039-9	Bracket, Tape Drum
11	26-1015-0124-0	Screw, Mach. Rd. Hd. Phillips 1/4-20 x 1-1/4 Lg. Stl.Zn.Pl.
12	70-8000-4795-6	Washer, Plain SAE 1/4 Stl.Zn.Pl.
13	12-7991-1525-3	Screw, Cap Hex Hd. 1/4-20 x 1-1/2 Lg. Stl.Zn.Pl.
14	70-8000-4045-6	Washer, Fibre, .256 ID x .875 OD x .062 Thk.
15	70-8000-5372-3	Nut, Jam, Hex Reg. Semi-finish 1/4-20 Stl.Zn.Pl.
16	70-8000-1239-7	Frame

Ref. No.	Part Number	Part Name
17	70-8000-1233-1	Spacer, Roller
18	26-1015-0126-5	Washer, Plain, Stl.Zn.Pl., Type B, 1/2 Narrow
19	70-8126-1015-5	Applying Roller Assembly
20	70-8000-1231-5	Shaft
21	70-8000-4387-2	Screw, Cap Soc. Hd. 1/4-20 x 3 Stl. Blk. Ox. "LOC-WEL"
22	78-8011-6856-4	Bushing
23	78-8999-4110-1	Wheel, Semi-pneumatic
24	70-8000-4062-1	Label, Tape Roll Instruction
*25	78-8014-1306-9	Label, Identification
26	70-8000-4063-9	Magnetic Strip, 3M "Plastiform" #MGO-1017
27	70-8000-1240-6	Label, Information
28	70-8000-4594-3	Blades, (Pack of 5) Not shown
*29	70-8000-1239-8	Label, Information
*30	70-8000-4040-7	Shaft, Tape Drum Lower
*31	70-8000-1237-2	Spacer, Tape Drum
32	78-8015-6827-6	Drum, Tape, Plastic
33	78-8018-7534-1	Drum, Tape, Flanged
34	70-8655-8450-5	Ring, Retaining "TRUARC" #5133-37
35	70-7023-8820-1	"OILITE" #FF-620-2

How To Order Replacement Parts

1. Refer to Figure 6 to find part needed and reference number.
2. Refer to parts list for correct part number.
Note: Parts identified by (*) are not available as a replacement stock item.
3. Order by **part number, description, dispenser, catalog number, name and model number.**

4. Replacement parts and part prices available direct from:

**3M/Tape Dispenser Parts
241 Venture Drive
Amery, WI 54001-1325**

**Phone: 800 344 9883
Fax: 715 268 8153**

**Minimum billing on parts orders will be \$25.00.
Replacement part prices available on request.**

\$10.00 restocking charge per invoice on returned parts.

IMPORTANT NOTICE: User is responsible for determining whether the Scotch brand tape dispensing equipment is fit for a particular purpose and suitable for user's method of application.

LIMITED WARRANTY: 3M warrants for 90 days from the date of delivery that the "Scotch" brand tape dispensing equipment shall be free of defects in material and manufacture. **3M MAKES NO OTHER WARRANTIES, EXPRESS OR IMPLIED, INCLUDING, BUT NOT LIMITED TO, ANY IMPLIED WARRANTY OF MERCHANTABILITY OR FITNESS FOR A PARTICULAR PURPOSE.** This Limited Warranty does not cover routine maintenance, normal wear and tear, or damage resulting from accident, misuse, alteration, corrosion, lack of reasonable care, service performed by an unauthorized repair service, use of unauthorized replacement parts or accessories, or installation, operation, or maintenance not in accordance with 3M recommended procedures.

LIMITATION OF REMEDIES AND LIABILITY: If the Scotch brand tape dispensing equipment is proved to be defective during the warranty period, **THE EXCLUSIVE REMEDY, AT 3M'S OPTION, SHALL BE TO REFUND THE PURCHASE PRICE OF OR TO REPAIR OR REPLACE THE DEFECTIVE EQUIPMENT,** provided that the equipment, at 3M's choice, is returned immediately to 3M or an authorized service representative designated by 3M, or made available at user's premises in a location suitable for servicing. 3M shall not otherwise be liable for any loss or damages, whether direct, indirect, special, incidental, or consequential, regardless of the legal theory asserted, including negligence, contract, warranty, or strict liability.



3M Industrial Tape and Specialties Division

3M Center, Building 220-7W-03
St. Paul, MN 55144-1000

Printed in U.S.A.

© 3M 2001 34-7004-7158-3(E11.0)