



Chipsmall Limited consists of a professional team with an average of over 10 year of expertise in the distribution of electronic components. Based in Hongkong, we have already established firm and mutual-benefit business relationships with customers from,Europe,America and south Asia,supplying obsolete and hard-to-find components to meet their specific needs.

With the principle of “Quality Parts,Customers Priority,Honest Operation,and Considerate Service”,our business mainly focus on the distribution of electronic components. Line cards we deal with include Microchip,ALPS,ROHM,Xilinx,Pulse,ON,Everlight and Freescale. Main products comprise IC,Modules,Potentiometer,IC Socket,Relay,Connector.Our parts cover such applications as commercial,industrial, and automotives areas.

We are looking forward to setting up business relationship with you and hope to provide you with the best service and solution. Let us make a better world for our industry!



Contact us

Tel: +86-755-8981 8866 Fax: +86-755-8427 6832

Email & Skype: info@chipsmall.com Web: www.chipsmall.com

Address: A1208, Overseas Decoration Building, #122 Zhenhua RD., Futian, Shenzhen, China



Features:

- Low Optical Insertion Loss
- Cost-effective CWDM technology
- Mux/Demux eight wavelengths
- SC or LC connectors for interfacing
- Reliable passive WDM optical technology
- Ring or point-to-point applications
- Low-profile modular design
- Compliance with RoHS

CWDM MUX/DEMUX-8 Optibox™ Module



The Finisar MUX/DEMUX-8 optibox module is a passive optical multiplexer/demultiplexer designed for metro access applications that represents the state of the art in fiber optics design. The MUX/DEMUX-8 optibox module multiplexes and demultiplexes eight CWDM wavelength channels from a two-fiber circuit. Finisar's design allows the creation of cost-effective unidirectional network traffic rings or point-to-point links.

Multiplexed wavelengths are interfaced to any of Finisar's CWDM transceivers on the equipment side. A grid of eight CWDM wavelengths is available from Finisar.

The Finisar MUX/DEMUX optibox module delivers dramatic cost savings to network equipment manufacturers, enabling them to develop metro access systems that are lower in cost, easier to provision and simpler to operate.

MUX/DEMUX-8 Optibox Module

Specifications

Mechanical

Dimensions:

6.25" x 6.5" x 0.5",
158mm x 165mm x 13mm

Connectors:

- SC or LC connectors

Optical

Center wavelengths:

MUX/DEMUX-8 Optibox

- 1471 nm
- 1491 nm
- 1511 nm
- 1531 nm
- 1551 nm
- 1571 nm
- 1591 nm
- 1611 nm

Directivity:

≥ 55 dB

Return Loss:

≥ 45 dB

Passband Ripple:

≤ 0.5dB

PDL:

≤ 0.15dB

PMD:

≤ 0.2 ps

Environmental:

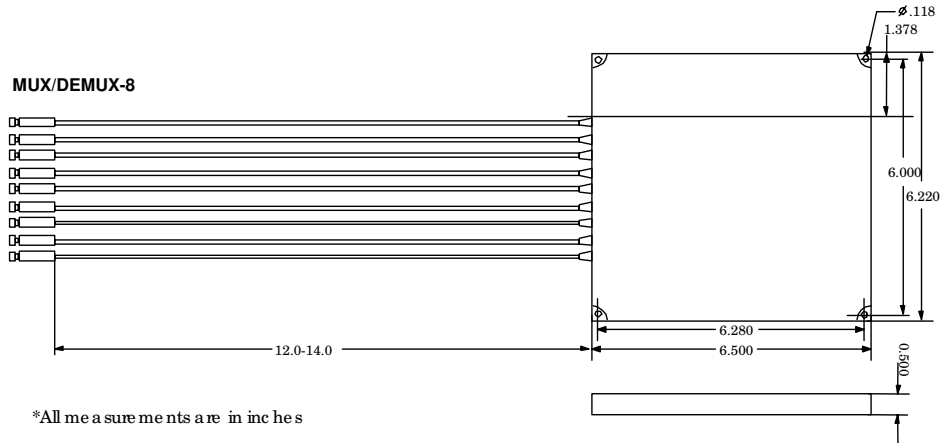
- Operating 0 to 70°C,
- Relative humidity:
10 to 85%,
non-condensing
- Storage - 40 to 85°C

MUX/DEMUX-8 Optibox Module Parameter Specifications

Passband	Max Insertion Loss (dB)		Min Isolation (dB)	
	Mux	Demux	Mux	Demux
+/- 6.5nm	2.80	2.80	30	50

Note: Connector loss included.

Dimensions (Unit: inch)



Ordering Information

Part Number Description

M/DF-8-LC Eight Wavelength MUX/DEMUX Optibox Module with LC connectors, 1471nm to 1611nm.
M/DF-8-SC Eight Wavelength MUX/DEMUX Optibox Module with SC connectors, 1471nm to 1611nm.