



Chipsmall Limited consists of a professional team with an average of over 10 year of expertise in the distribution of electronic components. Based in Hongkong, we have already established firm and mutual-benefit business relationships with customers from,Europe,America and south Asia,supplying obsolete and hard-to-find components to meet their specific needs.

With the principle of “Quality Parts,Customers Priority,Honest Operation,and Considerate Service”,our business mainly focus on the distribution of electronic components. Line cards we deal with include Microchip,ALPS,ROHM,Xilinx,Pulse,ON,Everlight and Freescale. Main products comprise IC,Modules,Potentiometer,IC Socket,Relay,Connector.Our parts cover such applications as commercial,industrial, and automotives areas.

We are looking forward to setting up business relationship with you and hope to provide you with the best service and solution. Let us make a better world for our industry!



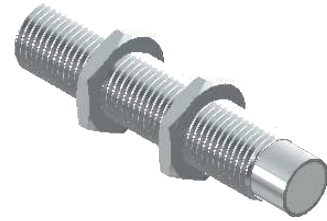
Contact us

Tel: +86-755-8981 8866 Fax: +86-755-8427 6832

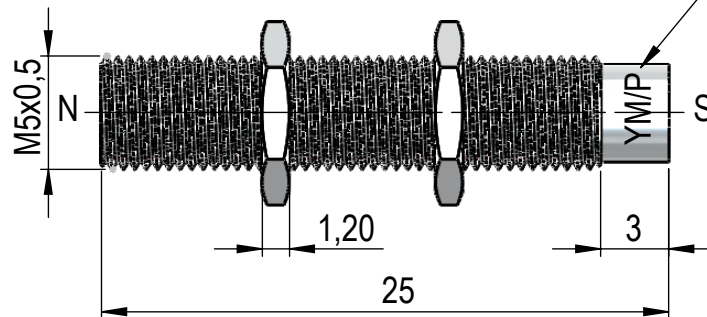
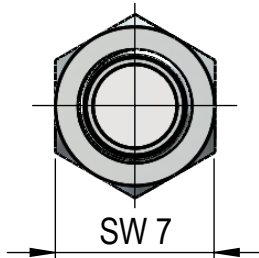
Email & Skype: info@chipsmall.com Web: www.chipsmall.com

Address: A1208, Overseas Decoration Building, #122 Zhenhua RD., Futian, Shenzhen, China





Marking
acc. to EN60062/Factory code



		Description		Article No.	Material
a	Housing	MK11 Threaded bush		4003003071	stainless steel 1.4305
	Potting compound	Wevopur 552FL		4100000182	Polyurethane, black
	Magnet	Round magnet		4001311057	NdFeB N35H
b		Min.	Typ.	Max.	Unit
	Magnetic moment (MS150)	15,2	18		$\mu\text{Vs}^*\text{cm}$
	Operating temperature			120	$^{\circ}\text{C}$
Remarks		magnetization axial			
Protection class		N/A			
Mounting:		N/A			
max. Torque		2	N		

Application					Tolerance DIN ISO 2768-m	Surface	Scale: 2:1	Weight:
					created: 30.08.2016	wkovacs	Magnet M11/M5	
					checked:			
					Sheet size: A4			
					dimensions in: mm			
	b	min. value, of magnetic moment added	30.08.2016	w.k.	StandexMeder Electronics GmbH Robert-Bosch-Str.4 78224 Singen Tel.:+49(0)7731/8399-0 Fax:+49(0)7731/8399-30 www.standexmeder.com			
	a	potting compound was Voltatex CE 12 FW-UL	30.08.2016	w.k.				
01		issued in swx, previous versions archived in Navision	30.08.2016	w.k.				
Rev.	state	change	date	name	Art.Nr./DrawingNr. 2500001105			<small>PROPRIETARY AND CONFIDENTIAL THE INFORMATION CONTAINED IN THIS DRAWING IS THE SOLE PROPERTY OF StandexMeder Electronics GmbH. ANY REPRODUCTION IN PART OR AS A WHOLE WITHOUT THE WRITTEN PERMISSION OF StandexMeder Electronics GmbH IS PROHIBITED.</small>
					Tool Nr.		page 1 of 1	