



Chipsmall Limited consists of a professional team with an average of over 10 year of expertise in the distribution of electronic components. Based in Hongkong, we have already established firm and mutual-benefit business relationships with customers from,Europe,America and south Asia,supplying obsolete and hard-to-find components to meet their specific needs.

With the principle of “Quality Parts,Customers Priority,Honest Operation,and Considerate Service”,our business mainly focus on the distribution of electronic components. Line cards we deal with include Microchip,ALPS,ROHM,Xilinx,Pulse,ON,Everlight and Freescale. Main products comprise IC,Modules,Potentiometer,IC Socket,Relay,Connector.Our parts cover such applications as commercial,industrial, and automotives areas.

We are looking forward to setting up business relationship with you and hope to provide you with the best service and solution. Let us make a better world for our industry!



Contact us

Tel: +86-755-8981 8866 Fax: +86-755-8427 6832

Email & Skype: info@chipsmall.com Web: www.chipsmall.com

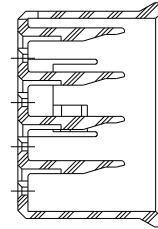
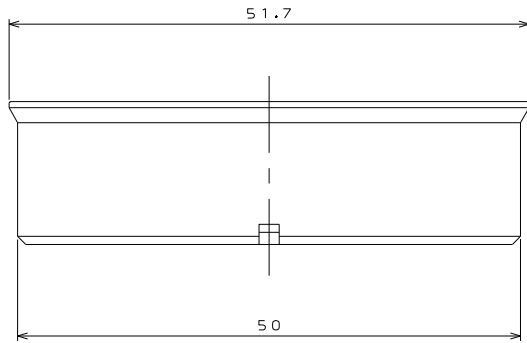
Address: A1208, Overseas Decoration Building, #122 Zhenhua RD., Futian, Shenzhen, China



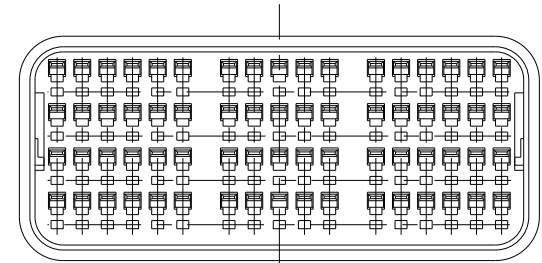
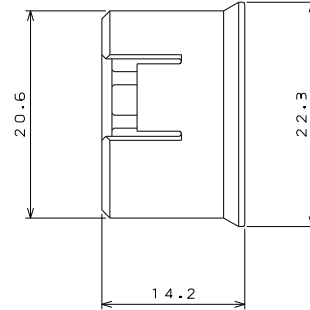
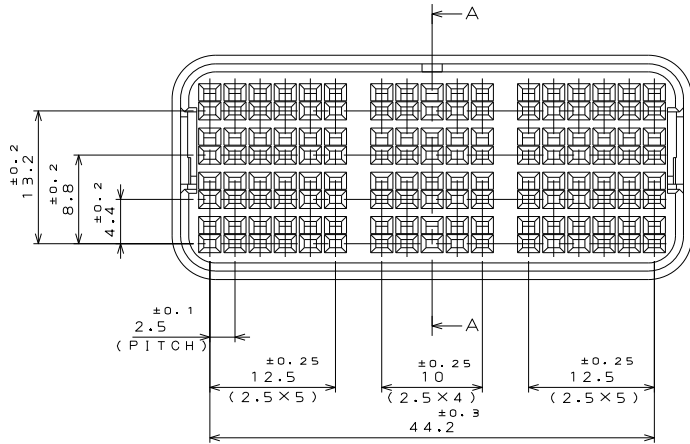
8ZJ9E0RS

(DRAWING NO.) (台番号)

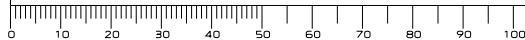
版数 REV.	年月日 DATE	DCN NO.	変更内容 DESCRIPTION	製図 DR.	担当 CHK.	査閲 APPD.	承認 APPD.



SECT. A-A



DCF-C-212D(98.02)



M120-56048		1	30%GF PBT	仕上 FINISH		COLOR: LIGHT BLUE
符号 NO.	名称 DESCRIPTION	個数 QTY.	材 料 MATERIAL	備 考 REMARKS		
仕様書 (SPECIFICATION) JACS-1686 JAHL-1686		第1版 (ORIGINAL DATE) 29.Oct.2001		尺 度 (SCALE) 2:1	シ リ ー (SERIES) MX23	日本航空電子工業株式会社 JAPAN AVIATION ELECTRONICS INDUSTRY, LTD.
一般公差 (GENERAL TOLERANCE)		製 図 DR.		名 称 (TITLE) M120-56048		
寸法 (DIMENSION)		担 当 CHK. M.WATANABE		FRONT CAP (MX23-68S)		図面番号 (DRAWING NO.)
. ±0.8		角 度 (ANGLES)		重 量 (WEIGHT)		版数 (REV.)
.X ±0.4		.° ±		⊙		1
.XX ±0.1		.°X ±		Y. ICHIYAMA		
.XXX ±		承認 APPD.		S J 0 3 6 3 7 8		
		承認 APPD.				

本図面は日本航空電子工業(株)の所有する情報を含むもので当社の許可なく複製を禁止する。
 THIS DRAWING CONTAINS INFORMATION THAT IS PROPRIETARY TO JAE AND CAN NOT BE REPRODUCED WITHOUT WRITTEN CONSENT OF JAE.

CDS-01-110-10454

SIZE A3