



Chipsmall Limited consists of a professional team with an average of over 10 year of expertise in the distribution of electronic components. Based in Hongkong, we have already established firm and mutual-benefit business relationships with customers from,Europe,America and south Asia,supplying obsolete and hard-to-find components to meet their specific needs.

With the principle of “Quality Parts,Customers Priority,Honest Operation,and Considerate Service”,our business mainly focus on the distribution of electronic components. Line cards we deal with include Microchip,ALPS,ROHM,Xilinx,Pulse,ON,Everlight and Freescale. Main products comprise IC,Modules,Potentiometer,IC Socket,Relay,Connector.Our parts cover such applications as commercial,industrial, and automotives areas.

We are looking forward to setting up business relationship with you and hope to provide you with the best service and solution. Let us make a better world for our industry!



Contact us

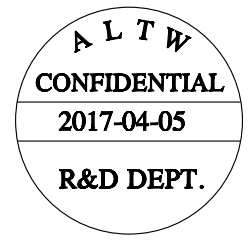
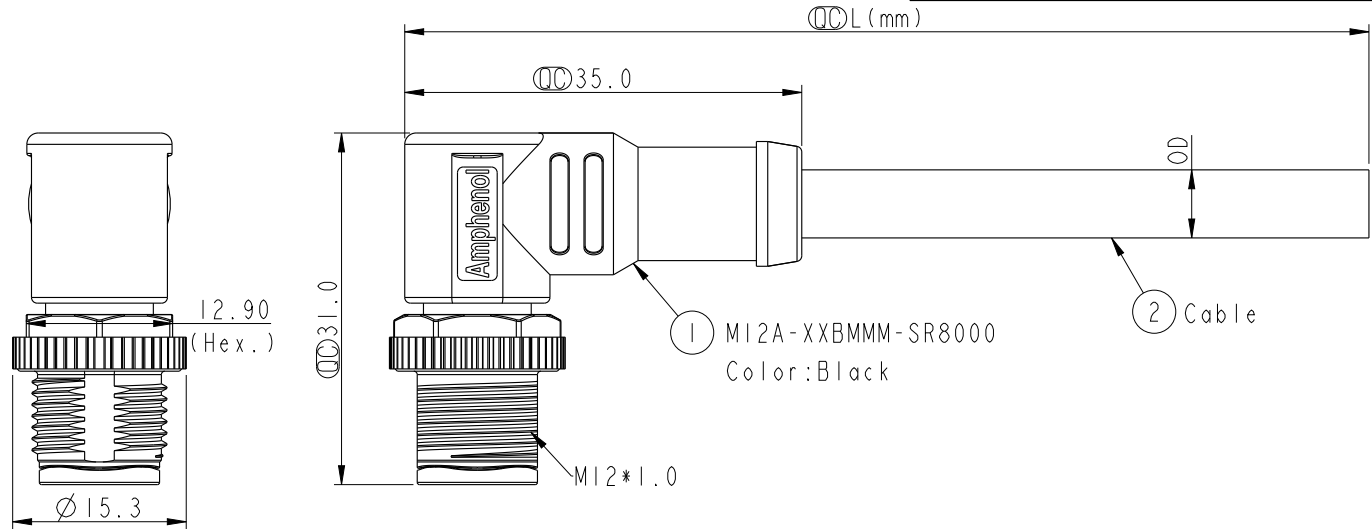
Tel: +86-755-8981 8866 Fax: +86-755-8427 6832

Email & Skype: info@chipsmall.com Web: www.chipsmall.com

Address: A1208, Overseas Decoration Building, #122 Zhenhua RD., Futian, Shenzhen, China

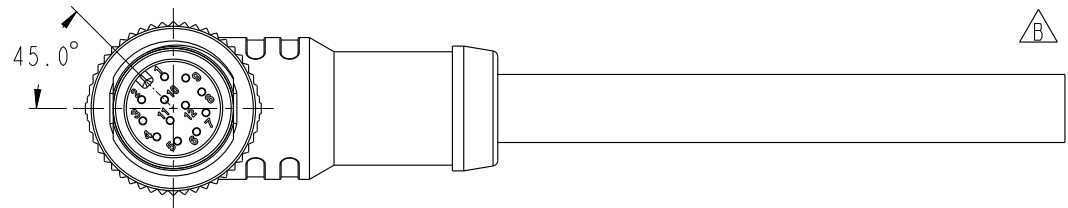


REV.	ECN NO.	DATE	SIGN	DESCRIPTION
B	LEN1580166~177	2015/08/10	Feng_Li	Add Black PVC Cable
C	LEN1680686~703	2016/08/13	Yulong_wang	Add 6Pin & IP69K.
D	LEN1750110~17	2017/04/05	Lingpeng	Change The Cable OD



Notes:

- * ⌀ Important Dimension.
- $\triangle C$ * Waterproof Rate: IP68, IP69K.
- * Connector: PU+GF, Black.
- * Male Pin: Copper Alloy, Gold Plated.
- * Screw Nut: Zinc Alloy, Nickel Plated.
- * Outer Mold: PU, Black.
- $\triangle B$ * Cable: (A) UL2517, PVC Jacket, Yellow.
(B) UL20549, PUR Jacket, Black.
(D) UL2517, PVC Jacket, Black.
- * Rated Voltage: 3 & 4Pin 250V dc. or ac.
5Pin 60V dc. or ac.
6~12Pin 30V dc. or ac.
- * Rated Current: 3~5Pin 4A
6~8Pin 2A
10~12Pin 1.5A
- * Operating Temperature: -25~85°C
- * Cable Length Tolerance: 01M:±40mm
02M~05M:±60mm
06M~10M:±100mm
11M~30M:±200mm



UNIT:mm		
TOLERANCE		
±0.5mm		

TITLE MI2 A Type 90° Male Conn.		
SCALE 3:2	SIZE A4	SHEET 1 OF 3
REV. D	WC-REV. A.1	⌀ : Inspection item

Amphenol LTW
安費諾亮泰企業股份有限公司

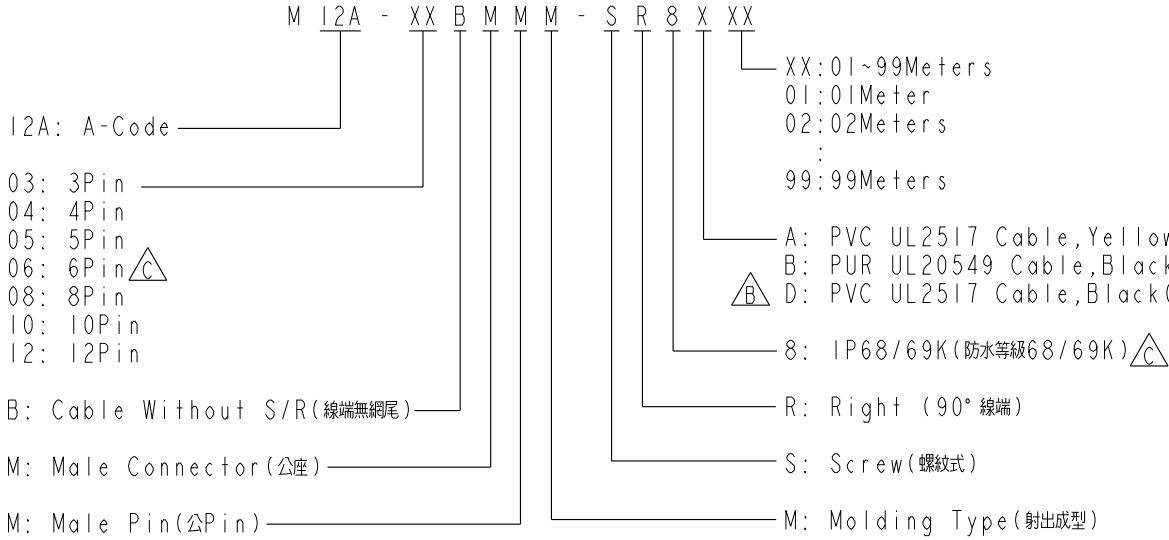
ITEM NO	DRAWN BY Lingpeng	DATE 2017-04-06
DWG NO MI2A-XXBMMM-SR8XXX	CHECKED BY Ma Fei	DATE 2017-04-06
CUSTOMER ALTW	APPROVED BY Jerry	DATE 2017-04-06

THIS DOCUMENT IS SUBJECT TO CHANGE WITHOUT NOTICE. IT IS CONFIDENTIAL AND A PROPERTY OF Amphenol LTW. DISCLOSURE TO THIRD PARTY HAS TO BE AUTHORIZED BY Amphenol LTW.

F
E
D
C
B
A



Contacts	Cable Jacket	Cable OD	AWG	Item No.	
△B	PVC	12P	6.0	26	M12A-12BMMM-SR8DXX
		10P			M12A-10BMMM-SR8DXX
△C	PVC	8P	5.5	24	M12A-08BMMM-SR8DXX
		6P	5.0		M12A-06BMMM-SR8DXX
	PUR	5P	5.1		M12A-05BMMM-SR8DXX
		4P	4.8	22	M12A-04BMMM-SR8DXX
		3P	4.5		M12A-03BMMM-SR8DXX
△D	PUR	12P	6.0	26	M12A-12BMMM-SR8BXX
		10P			M12A-10BMMM-SR8BXX
△C	PUR	8P	4.8	24	M12A-08BMMM-SR8BXX
		6P	5.0		M12A-06BMMM-SR8BXX
△D	PUR	5P	4.4		M12A-05BMMM-SR8BXX
		4P	4.0	22	M12A-04BMMM-SR8BXX
	PVC	3P	3.8		M12A-03BMMM-SR8BXX
		12P	6.0	26	M12A-12BMMM-SR8AXX
		10P			M12A-10BMMM-SR8AXX
△C	PVC	8P	5.5	24	M12A-08BMMM-SR8AXX
		6P	5.0		M12A-06BMMM-SR8AXX
	PVC	5P	5.1		M12A-05BMMM-SR8AXX
		4P	4.8	22	M12A-04BMMM-SR8AXX
		3P	4.5		M12A-03BMMM-SR8AXX



UNIT:mm	
TOLERANCE ±0.5mm	

TITLE M12 A Type 90° Male Conn.			
SCALE 3:2	SIZE A4	SHEET 2 OF 3	
REV. D	WC-REV. A.1	QC: Inspection item	

Amphenol LTW
安費諾亮泰企業股份有限公司

ITEM NO	DRAWN BY Lingpeng	DATE 2017-04-06
DWG NO M12A-XXBMMM-SR8XXX	CHECKED BY Ma Fei	DATE 2017-04-06
CUSTOMER ALTW	APPROVED BY Jerry	DATE 2017-04-06

THIS DOCUMENT IS SUBJECT TO CHANGE WITHOUT NOTICE. IT IS CONFIDENTIAL AND A PROPERTY OF Amphenol LTW. DISCLOSURE TO THIRD PARTY HAS TO BE AUTHORIZED BY Amphenol LTW.

THIS DOCUMENT IS SUBJECT TO CHANGE WITHOUT NOTICE. IT IS CONFIDENTIAL AND A PROPERTY OF Amphenol LTW. DISCLOSURE TO THIRD PARTY HAS TO BE AUTHORIZED BY Amphenol LTW.

ALTW
CONFIDENTIAL
 2017-04-06
R&D DEPT.

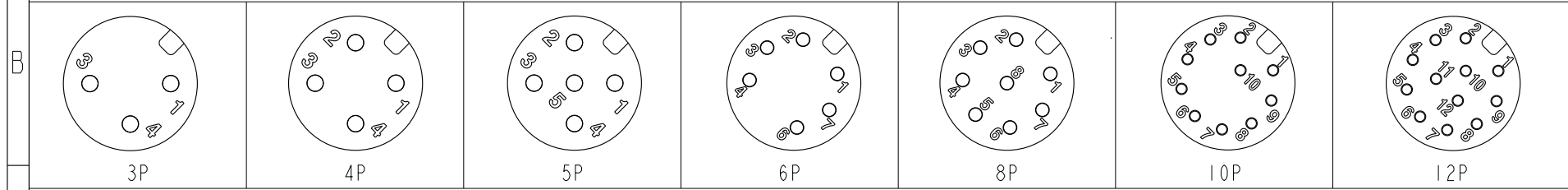
ALTW
 DCC. DEPT.
 CONFIDENTIAL
 2017.05.15
ISSUED



1	2	3	4	5	6	7	8
---	---	---	---	---	---	---	---

5 4 3 2 1	-- Black Blue -- Brown	黑 藍 棕	5 4 3 2 1	-- Black Blue White Brown	黑 藍 白 棕	5 4 3 2 1	Gray Black Blue White Brown	灰 黑 藍 白 棕	8 7 6 5 4 3 2 1	-- Blue Pink -- Yellow Green Brown White	藍 粉 綠 棕 白	8 7 6 5 4 3 2 1	Red Blue Pink Gray Yellow Green Brown White	紅 藍 粉 灰 黃 綠 棕 白	12 11 10 9 8 7 6 5 4 3 2 1	-- -- Violet Black Red Blue Pink Gray Yellow Green Brown White	紫 黑 紅 藍 粉 灰 黃 綠 棕 白	12 11 10 9 8 7 6 5 4 3 2 1	Red/Blue Gray/Pink Violet Black Red Blue Pink Gray Yellow Green Brown White	紅/藍 灰/粉 紫 黑 紅 藍 粉 灰 黃 綠 棕 白
Pin #	Wire		Pin #	Wire		Pin #	Wire		Pin #	Wire		Pin #	Wire		Pin #	Wire		Pin #	Wire	

Pin Out



Pin Assignments Front View

UNIT: mm			TOLERANCE ±0.5mm	TITLE M12 A Type 90° Male Conn.	Amphenol LTW 安費諾亮泰企業股份有限公司	ITEM NO	DRAWN BY Lingpeng	DATE 2017-04-06
				SCALE 3:2	SIZE A4	SHEET 3 OF 3	CHECKED BY Ma Fei	DATE 2017-04-06
				REV. D	WC-REV. A.1	(CC): Inspection item	APPROVED BY Jerry	DATE 2017-04-06
						CUSTOMER ALTW		