



Chipsmall Limited consists of a professional team with an average of over 10 year of expertise in the distribution of electronic components. Based in Hongkong, we have already established firm and mutual-benefit business relationships with customers from,Europe,America and south Asia,supplying obsolete and hard-to-find components to meet their specific needs.

With the principle of “Quality Parts,Customers Priority,Honest Operation,and Considerate Service”,our business mainly focus on the distribution of electronic components. Line cards we deal with include Microchip,ALPS,ROHM,Xilinx,Pulse,ON,Everlight and Freescale. Main products comprise IC,Modules,Potentiometer,IC Socket,Relay,Connector.Our parts cover such applications as commercial,industrial, and automotives areas.

We are looking forward to setting up business relationship with you and hope to provide you with the best service and solution. Let us make a better world for our industry!



## Contact us

Tel: +86-755-8981 8866 Fax: +86-755-8427 6832

Email & Skype: info@chipsmall.com Web: www.chipsmall.com

Address: A1208, Overseas Decoration Building, #122 Zhenhua RD., Futian, Shenzhen, China

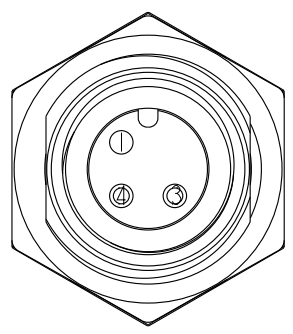
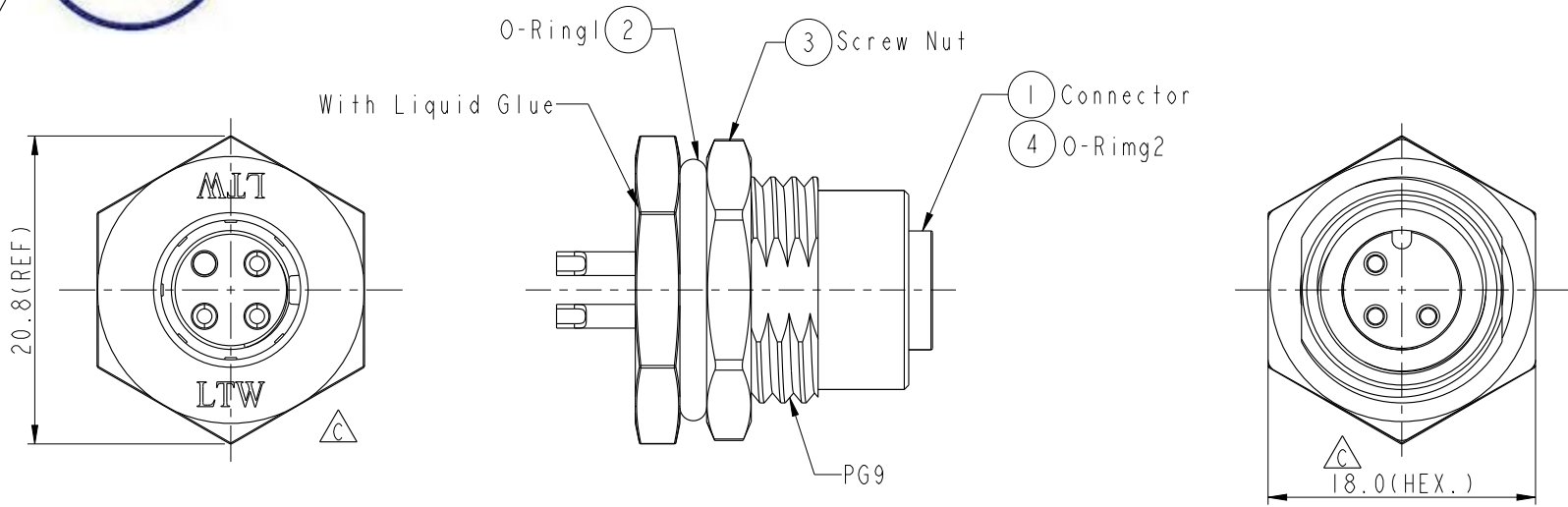


THIS DOCUMENT IS SUBJECT TO CHANGE WITHOUT NOTICE. IT IS CONFIDENTIAL AND A PROPERTY OF AMPHENOL LTW. DISCLOSURE TO THIRD PARTY HAS TO BE AUTHORIZED BY AMPHENOL LTW.

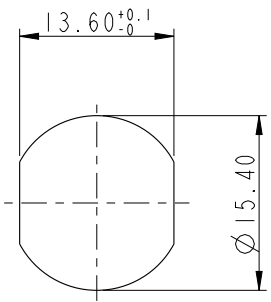
REV.	ECN NO.	DATE	SIGN	DESCRIPTION
B	LEN-7A0010	2007/09/29	Myrdal	Added Note
C	LEN-040042	2010/03/30	Vicky	REF. TO ECR/N.NOTE.
D	LEN1370281	2013/07/19	Rensong	chang demension 25.2 to 25.3

**ALTW**  
**CONFIDENTIAL**  
 2013-07-19  
**R&D DEPT.**

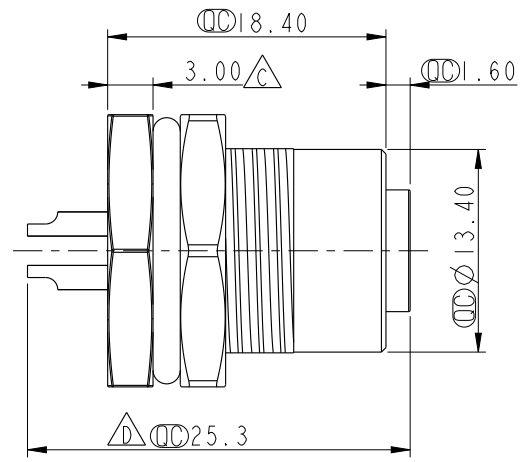
**ALTW**  
 DCC. DEPT.  
 CONFIDENTIAL  
 2013.07.24  
**ISSUED**



Pin Assignment  
 Front View



Recommended Panel Cut-Out



- Note:
- \*  $\varnothing$  Important Dimension.
  - $\triangle$  \* Waterproof Rate: IP68.  
 IP68: 1M Depth Of Water In 24hours.
  - \* Housing: Nylon+GF, Black.
  - \* Female Pin: Copper Alloy, Gold Plated.
  - \* Shield: Zinc Alloy, Nickel Plated.
  - \* Nut: Zinc Alloy, Nickel Plated.
  - \* O-Ring1: EPDM, Black.
  - $\triangle$  \* O-Ring2: Viton, Green.
  - \* For Panel Thickness Max 4.5mm.
  - $\triangle$  \* Nut Torque: 4-6 Kgf.cm

UNIT: mm		
TOLERANCE	.X	±0.25
	.XX	±0.1
	.XXX	±0.05
ANGLES		±1°

TITLE M12 Conn Panel Screw 3Pin F Conn F Pin			
SCALE	2:1	SIZE	A4
REV.	D	WC-REV.	B.1
		SHEET	1 OF 1
$\varnothing$ : Inspection item			

**Amphenol LTW**  
 安費諾亮泰企業股份有限公司

ITEM NO.	12-03PFFS-SF8001	DRAWN BY	Lin_rensong	DATE	2013-07-19
DWG NO.	12-03PFFS-SF8001	CHECKED BY	Tony	DATE	2013-07-19
CUSTOMER	ALTW	APPROVED BY	Maslow	DATE	2013-07-19