



Chipsmall Limited consists of a professional team with an average of over 10 year of expertise in the distribution of electronic components. Based in Hongkong, we have already established firm and mutual-benefit business relationships with customers from,Europe,America and south Asia,supplying obsolete and hard-to-find components to meet their specific needs.

With the principle of “Quality Parts,Customers Priority,Honest Operation,and Considerate Service”,our business mainly focus on the distribution of electronic components. Line cards we deal with include Microchip,ALPS,ROHM,Xilinx,Pulse,ON,Everlight and Freescale. Main products comprise IC,Modules,Potentiometer,IC Socket,Relay,Connector.Our parts cover such applications as commercial,industrial, and automotives areas.

We are looking forward to setting up business relationship with you and hope to provide you with the best service and solution. Let us make a better world for our industry!



Contact us

Tel: +86-755-8981 8866 Fax: +86-755-8427 6832

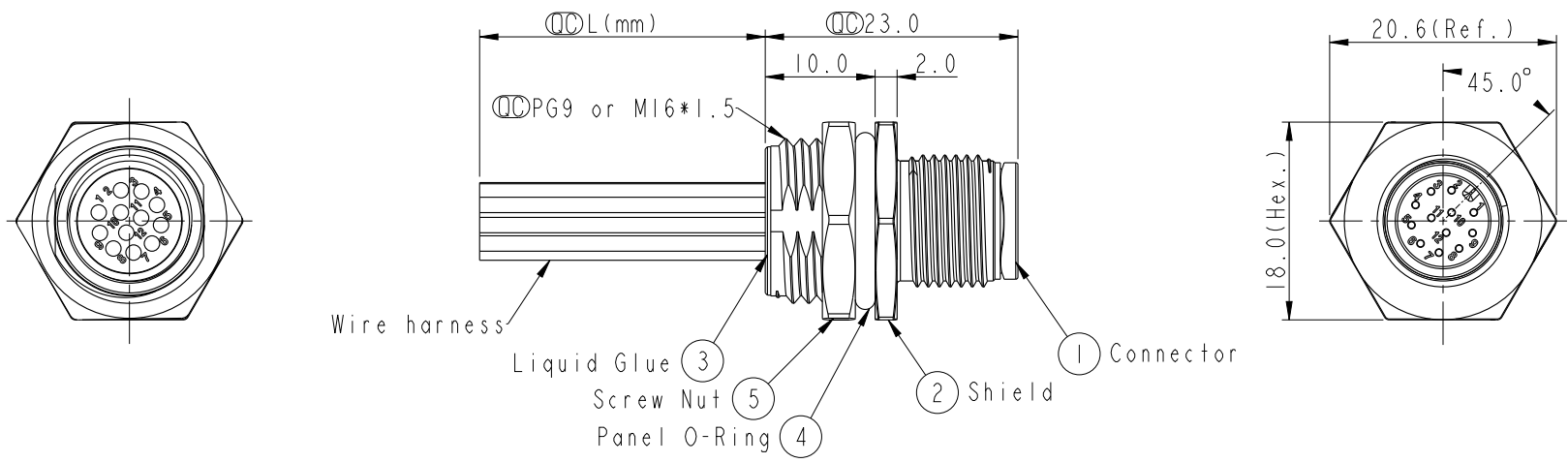
Email & Skype: info@chipsmall.com Web: www.chipsmall.com

Address: A1208, Overseas Decoration Building, #122 Zhenhua RD., Futian, Shenzhen, China

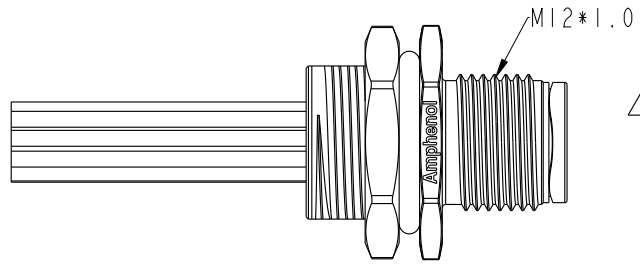


THIS DOCUMENT IS SUBJECT TO CHANGE WITHOUT NOTICE. IT IS CONFIDENTIAL AND A PROPERTY OF Amphenol LTW. DISCLOSURE TO THIRD PARTY HAS TO BE AUTHORIZED BY Amphenol LTW.

REV.	ECN NO.	DATE	SIGN	DESCRIPTION
B	LE31570262~271	2015/07/23	Yulong_wang	Change to Share Drawing.
C	LENI680581~592 LENI680604~605	2016/08/08	Yulong_wang	Add 6Pin & IP69K.

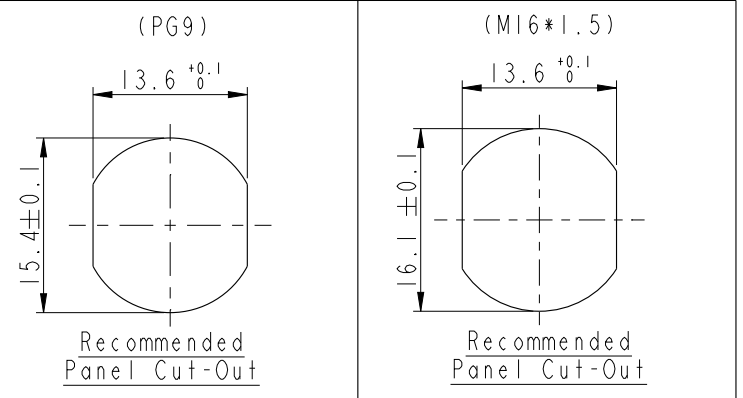


ALTW
CONFIDENTIAL
2016-08-08
R&D DEPT.



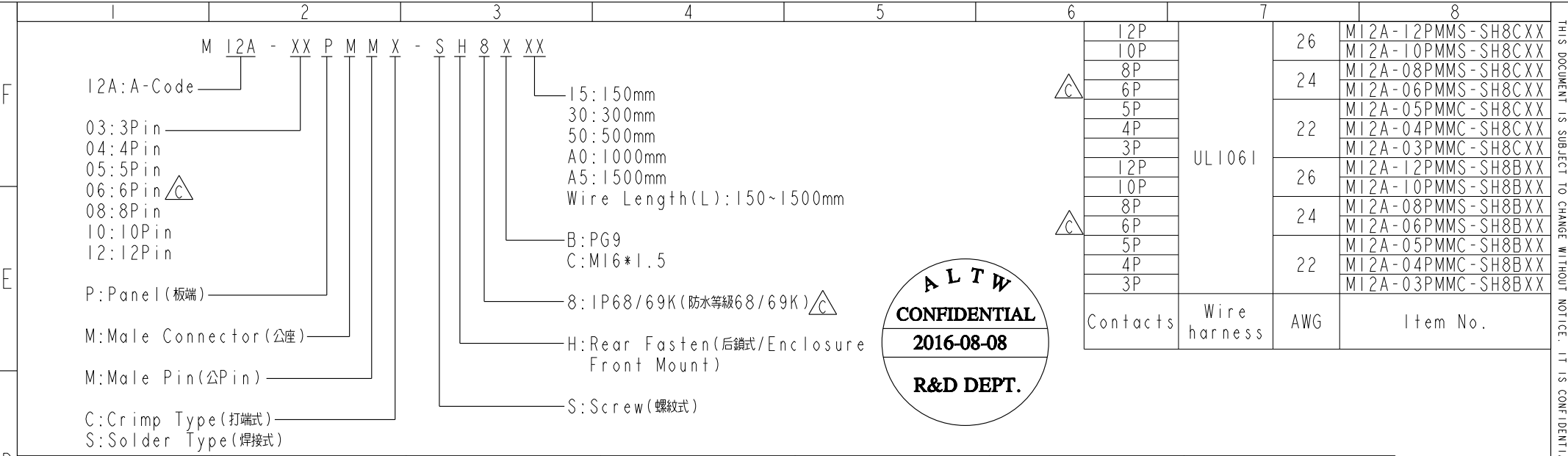
- Notes:
- * \varnothing Important Dimension.
 - * $\triangle C$ Waterproof Rate: IP68, IP69K.
 - * Connector: Nylon+GF, Black.
 - * Male Pin: Copper Alloy, Gold Plated.
 - * Shield: Zinc Alloy, Nickel Plated.
 - * Screw Nut: Zinc Alloy, Nickel Plated.
 - * Panel O-Ring: Viton, Black.
 - * Wire harness: UL1061
 - * Rated Voltage: 3 & 4Pin 250V dc. or ac.
5Pin 60V dc. or ac.
6~12Pin 30V dc. or ac.
 - * Rated Current: 3~5Pin 4A
6~8Pin 2A
10~12Pin 1.5A
 - * Operating Temperature: -25~85°C
 - * For Panel Thickness Max 4.5mm.
 - * Nut Torque: 4-6 Kgf.cm.
 - * Wire harness Tolerance: 150~300 ±15mm
301~1000 ±20mm
Over1000 ±40mm

ALTW
DCC. DEPT.
CONFIDENTIAL
2016.08.16
ISSUED

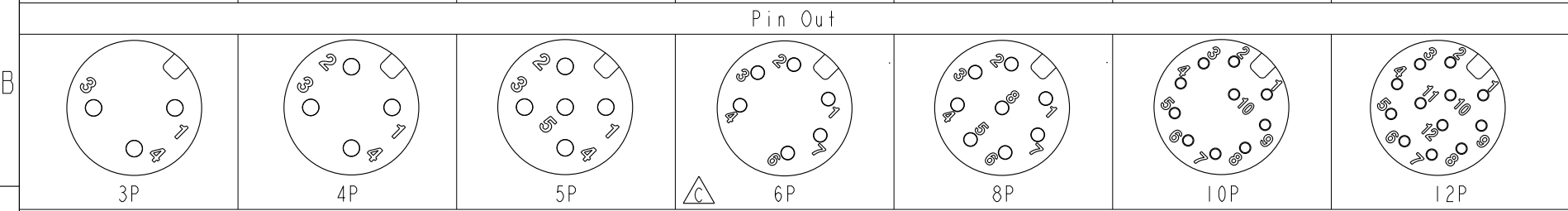


UNIT: mm		TITLE		Amphenol LTW 安費諾亮泰企業股份有限公司	ITEM NO	DRAWN BY	DATE
		M12 A-Code Male Conn. Panel Rear With Wire harness			DWG NO	Yulong_wang	2016-08-08
TOLERANCE		SCALE	SIZE	Amphenol LTW 安費諾亮泰企業股份有限公司	CHECKED BY	DATE	DATE
.X ±0.25 .XX ±0.1 .XXX ±0.05 ANGLES ±1°		3:2	A4		SHEET 1 OF 2	Cary	2016-08-08
		REV.	WC-REV.		CUSTOMER	APPROVED BY	DATE
		C	A.3	\varnothing : Inspection item	ALTW	Jerry	2016-08-08

THIS DOCUMENT IS SUBJECT TO CHANGE WITHOUT NOTICE. IT IS CONFIDENTIAL AND A PROPERTY OF Amphenol LTW. DISCLOSURE TO THIRD PARTY HAS TO BE AUTHORIZED BY Amphenol LTW.



5	--	5	--	5	Gray	灰	8	--	8	Red	紅	12	--	12	Red/Blue	紅/藍
4	Black	4	Black	4	Black	黑	7	Blue	7	Blue	藍	11	--	11	Gray/Pink	灰/粉
3	Blue	3	Blue	3	Blue	藍	6	Pink	6	Pink	粉	10	Violet	10	Violet	紫
2	--	2	White	2	White	白	5	--	5	Gray	灰	9	Black	9	Black	黑
1	Brown	1	Brown	1	Brown	棕	4	Yellow	4	Yellow	黃	8	Red	8	Red	紅
							3	Green	3	Green	綠	7	Blue	7	Blue	藍
							2	Brown	2	Brown	棕	6	Pink	6	Pink	粉
							1	White	1	White	白	5	Gray	5	Gray	灰
												4	Yellow	4	Yellow	黃
												3	Green	3	Green	綠
												2	Brown	2	Brown	棕
												1	White	1	White	白



Pin Assignments Front View

UNIT: mm TOLERANCE .X ±0.25 .XX ±0.1 .XXX ±0.05 ANGLES ±1°	TITLE M12 A-Code Male Conn. Panel Rear With Wire harness			<h1>Amphenol LTW</h1> 安費諾亮泰企業股份有限公司		ITEM NO M12A-XXPMXX-SH8XXX	DRAWN BY Yulong_wang	DATE 2016-08-08
	SCALE 3:2	SIZE A4	SHEET 2 OF 2			DWG NO M12A-XXPMXX-SH8XXX	CHECKED BY Jinhai	DATE 2016-08-08
	REV. C	WC-REV. A.3	Inspection item			CUSTOMER ALTW	APPROVED BY Jerry	DATE 2016-08-08