



Chipsmall Limited consists of a professional team with an average of over 10 year of expertise in the distribution of electronic components. Based in Hongkong, we have already established firm and mutual-benefit business relationships with customers from,Europe,America and south Asia,supplying obsolete and hard-to-find components to meet their specific needs.

With the principle of “Quality Parts,Customers Priority,Honest Operation,and Considerate Service”,our business mainly focus on the distribution of electronic components. Line cards we deal with include Microchip,ALPS,ROHM,Xilinx,Pulse,ON,Everlight and Freescale. Main products comprise IC,Modules,Potentiometer,IC Socket,Relay,Connector.Our parts cover such applications as commercial,industrial, and automotives areas.

We are looking forward to setting up business relationship with you and hope to provide you with the best service and solution. Let us make a better world for our industry!



Contact us

Tel: +86-755-8981 8866 Fax: +86-755-8427 6832

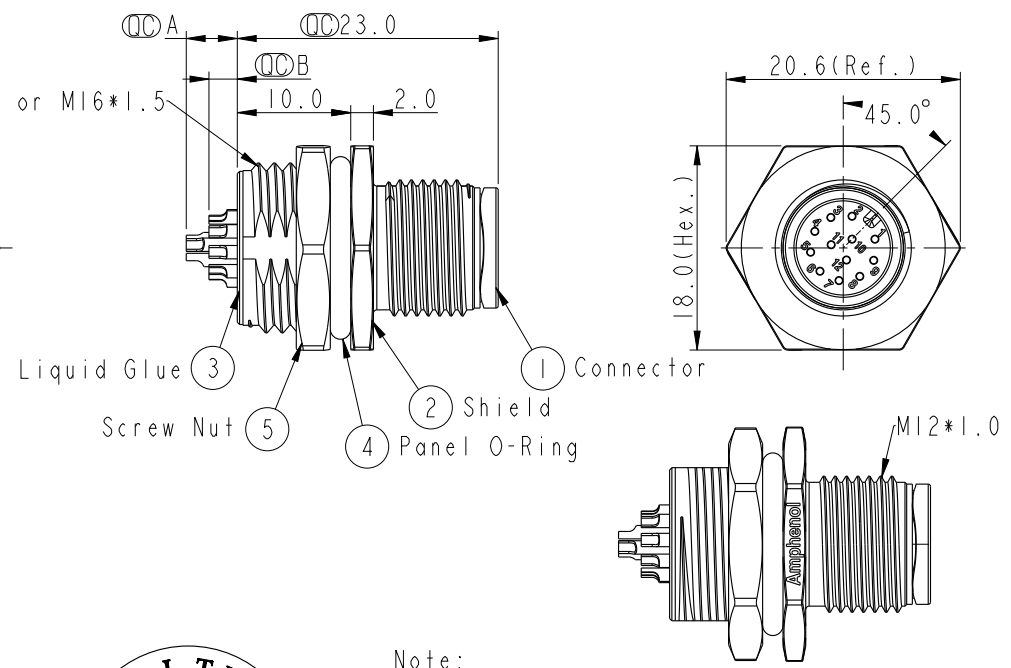
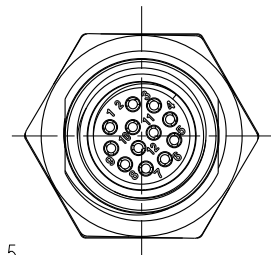
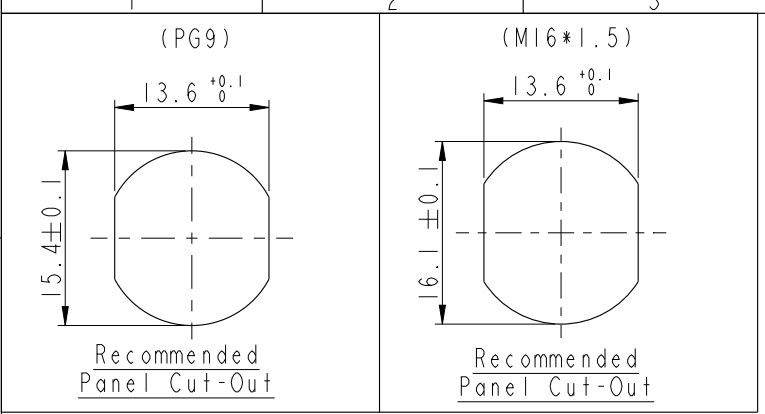
Email & Skype: info@chipsmall.com Web: www.chipsmall.com

Address: A1208, Overseas Decoration Building, #122 Zhenhua RD., Futian, Shenzhen, China



THIS DOCUMENT IS SUBJECT TO CHANGE WITHOUT NOTICE. IT IS CONFIDENTIAL AND A PROPERTY OF Amphenol LTW. DISCLOSURE TO THIRD PARTY HAS TO BE AUTHORIZED BY Amphenol LTW.

REV.	ECN NO.	DATE	SIGN	DESCRIPTION
B	LENI570187-194 LE31570179-182	2015/07/18	Yulong_wang	Change to Share Drawing.
C	LENI680378-389	2016/08/06	Yulong_wang	Add 6 PIN & IP69K



M I2A - XX P M M S - S H 8 XXX

I2A: A-Code

03: 3Pin
04: 4Pin
05: 5Pin
06: 6Pin \triangle
08: 8Pin
10: 10Pin
12: 12Pin

P: Panel (板端)

M: Male Connector (公座)

001: PG9
002: M16*1.5

8: IP68/69K (防水等級68/69K) \triangle

H: Rear Fasten (后鎖式/Enclosure Front Mount)

S: Screw (螺紋式)

S: Solder Type (焊接式)

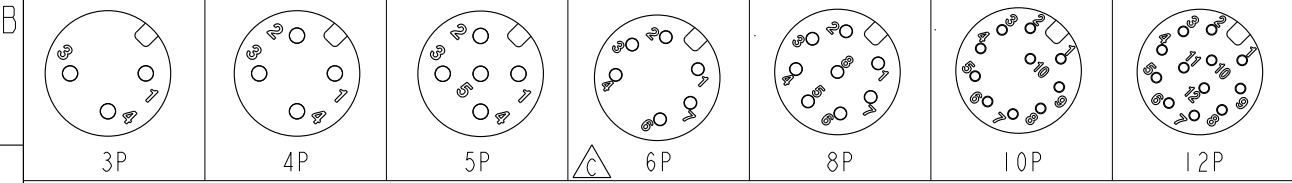
M: Male Pin (公Pin)

M12A-03PMMS-SH8XXX	2.5
M12A-04PMMS-SH8XXX	2.5
M12A-05PMMS-SH8XXX	2.5
M12A-06PMMS-SH8XXX	2.5
M12A-08PMMS-SH8XXX	2.5
M12A-10PMMS-SH8XXX	4.5 2.5
M12A-12PMMS-SH8XXX	4.5 2.5
Item No.	A B
	Pin伸出長度



Note:

- * \odot Important Dimension.
- * \triangle Waterproof Rate: IP68, IP69K
- * Housing: Nylon+GF, Black.
- * Male Pin: Copper Alloy, Gold Plated.
- * Shield: Zinc Alloy, Nickel Plated.
- * Screw Nut: Zinc Alloy, Nickel Plated.
- * Panel O-Ring: Viton, Black.
- * Rated Voltage: 3 & 4Pin 250V dc. or ac.
5Pin 60V dc. or ac.
6~12Pin 30V dc. or ac.
- * Rated Current: 3~5Pin 4A
6~8Pin 2A
10~12Pin 1.5A
- * Operating Temperature: -40~105°C
- * For Panel Thickness Max 4.5mm.
- * Recommended Nut Torque: 4-6 Kgf.cm.



Pin Assignment Front View

UNIT: mm		TITLE	M12 A-Code Male Conn. Solder Rear Type		
TOLERANCE	.X ±0.25 .XX ±0.1 .XXX ±0.05 ANGLES ±1°	SCALE	2:1	SIZE	A4
		REV.	C	WC-REV.	A.7
				\odot : Inspection item	

Amphenol LTW
安費諾亮泰企業股份有限公司

ITEM NO.	DRAWN BY	DATE
	Yulong_wang	2016-08-06
DWG NO.	CHECKED BY	DATE
M12A-XXPMMS-SH8XXX	Jinhai	2016-08-06
CUSTOMER	APPROVED BY	DATE
ALTW	Jerry	2016-08-06