



Chipsmall Limited consists of a professional team with an average of over 10 year of expertise in the distribution of electronic components. Based in Hongkong, we have already established firm and mutual-benefit business relationships with customers from,Europe,America and south Asia,supplying obsolete and hard-to-find components to meet their specific needs.

With the principle of “Quality Parts,Customers Priority,Honest Operation,and Considerate Service”,our business mainly focus on the distribution of electronic components. Line cards we deal with include Microchip,ALPS,ROHM,Xilinx,Pulse,ON,Everlight and Freescale. Main products comprise IC,Modules,Potentiometer,IC Socket,Relay,Connector.Our parts cover such applications as commercial,industrial, and automotives areas.

We are looking forward to setting up business relationship with you and hope to provide you with the best service and solution. Let us make a better world for our industry!



Contact us

Tel: +86-755-8981 8866 Fax: +86-755-8427 6832

Email & Skype: info@chipsmall.com Web: www.chipsmall.com

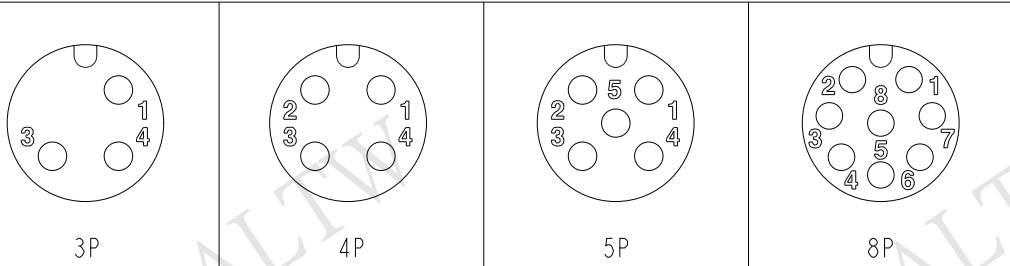
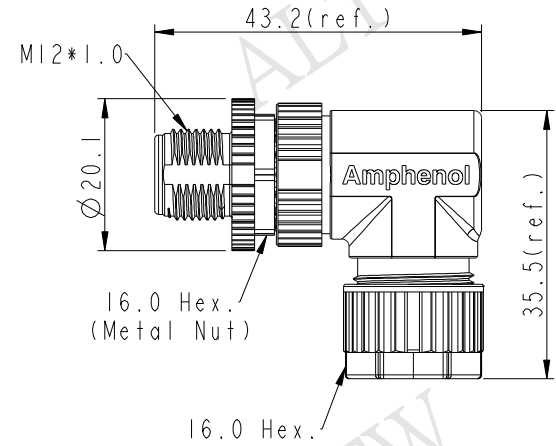
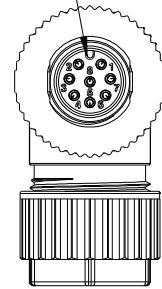
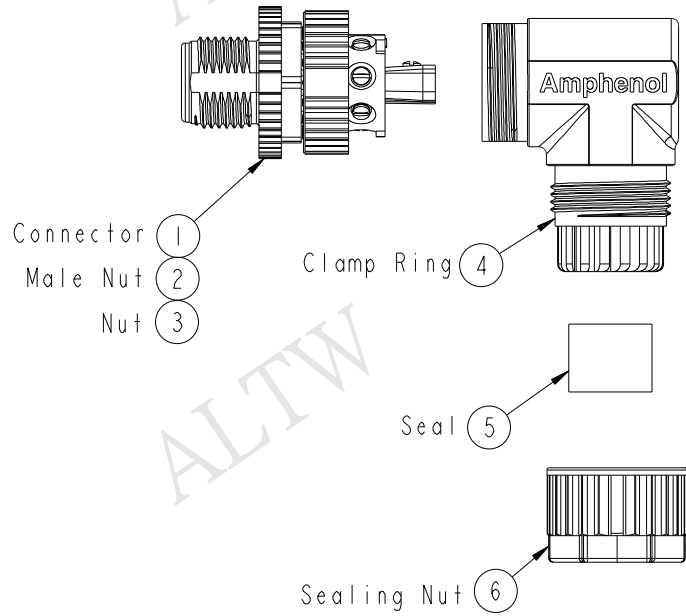
Address: A1208, Overseas Decoration Building, #122 Zhenhua RD., Futian, Shenzhen, China



ALTW
CONFIDENTIAL
 2015-09-29
 R&D DEPT.

REV.	ECN NO.	DATE	SIGN	DESCRIPTION

360° Adjustable Key Code Direction



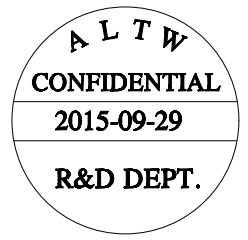
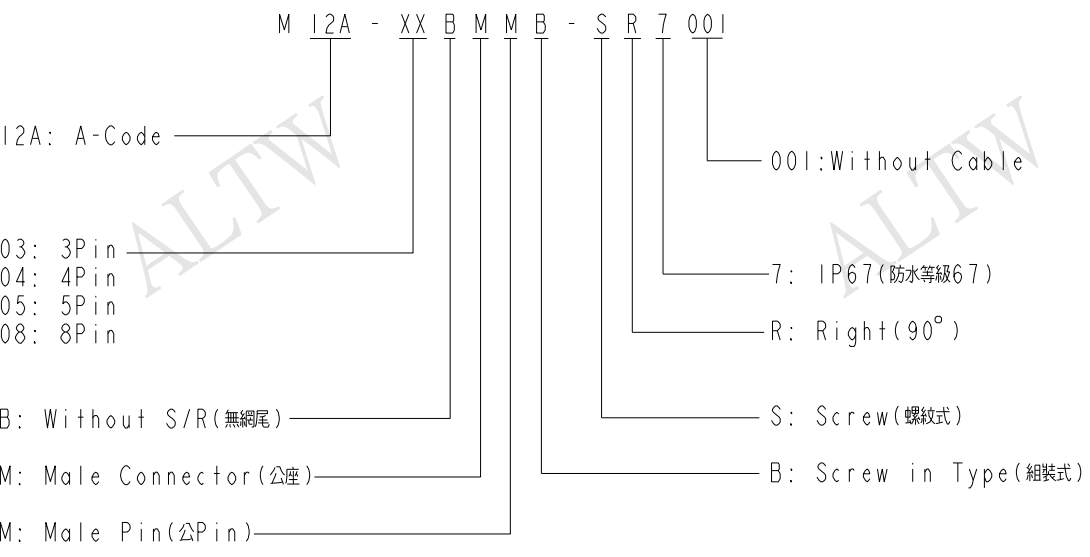
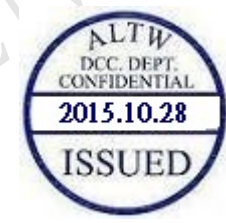
Pin Assignments Front View

ALTW
 DCC. DEPT.
 CONFIDENTIAL
 2015.10.28
 ISSUED

UNIT: mm TOLERANCE ±0.5mm	TITLE M12 A-code 90° Assy M Conn. M Pin		Amphenol LTW 安費諾亮泰企業股份有限公司		ITEM NO.	DRAWN BY Mila	DATE 2015-09-29
	SCALE 1:1	SIZE A4			SHEET 1 OF 2	DWG NO. M12A-XXBMMB-SR7001	CHECKED BY Cary
	REV. A	WC-REV. A.2	QC: Inspection item	CUSTOMER ALTW	APPROVED BY Jerry	DATE 2015-09-29	

THIS DOCUMENT IS SUBJECT TO CHANGE WITHOUT NOTICE. IT IS CONFIDENTIAL AND A PROPERTY OF Amphenol LTW. DISCLOSURE TO THIRD PARTY HAS TO BE AUTHORIZED BY Amphenol LTW.

THIS DOCUMENT IS SUBJECT TO CHANGE WITHOUT NOTICE. IT IS CONFIDENTIAL AND A PROPERTY OF AMPHENOL LTW. DISCLOSURE TO THIRD PARTY HAS TO BE AUTHORIZED BY AMPHENOL LTW.



- Note:
- * \varnothing Important Dimension To Check.
 - * Waterproof Rate: IP67
 - * Housing: Nylon,Black
 - * Male Pin: Copper Alloy, Gold Plated
 - * Male Nut: Zinc Alloy, Nickel Plated
 - * Nut: Zinc Alloy, Nickel Plated
 - * O-Ring: Silicon,Grey
 - * Clamp Ring: Nylon,Black
 - * Sealing Nut:PBT+PC,Black
 - * Seal: Silicon,Grey
 - * Seal For Cable OD: \varnothing 4.0mm- \varnothing 7.0mm
 - * Screws for Wire connection recommended tightening torque: 0.61~0.84 kgf.cm / 0.059~0.082 N.m
 - * Applicable Wire gauge (Stranded wire cross section) 0.14mm² (26AWG) ~ 0.82mm² (18AWG)
 - * Mating Recommended tightening torque: 3~4 kgf.cm / 0.29~0.39 N.m
 - * Sealing-Nut Recommended tightening torque: 4~6 kgf.cm / 0.39~0.59 N.m
 - * Detailed applicable wire specifications may vary depending on the actual wire construction.

A	UNIT:mm		TITLE M12 A-code 90° Assy M Conn. M Pin		ITEM NO		DRAWN BY Mila	DATE 2015-09-29
	TOLERANCE ±0.5mm		SCALE 1:1	SIZE A4	SHEET 2	OF 2	CHECKED BY Cary	DATE 2015-09-29
			REV. A	WC-REV. A.2	QC: Inspection item		APPROVED BY Jerry	DATE 2015-09-29
			<h2 style="text-align: center;">Amphenol LTW</h2> <p style="text-align: center;">安費諾亮泰企業股份有限公司</p>		DWG NO M12A-XXBMMB-SR7001		CUSTOMER ALTW	DATE 2015-09-29
							8 FMM10702-01-02A1	