



Chipsmall Limited consists of a professional team with an average of over 10 year of expertise in the distribution of electronic components. Based in Hongkong, we have already established firm and mutual-benefit business relationships with customers from,Europe,America and south Asia,supplying obsolete and hard-to-find components to meet their specific needs.

With the principle of “Quality Parts,Customers Priority,Honest Operation,and Considerate Service”,our business mainly focus on the distribution of electronic components. Line cards we deal with include Microchip,ALPS,ROHM,Xilinx,Pulse,ON,Everlight and Freescale. Main products comprise IC,Modules,Potentiometer,IC Socket,Relay,Connector.Our parts cover such applications as commercial,industrial, and automotives areas.

We are looking forward to setting up business relationship with you and hope to provide you with the best service and solution. Let us make a better world for our industry!



Contact us

Tel: +86-755-8981 8866 Fax: +86-755-8427 6832

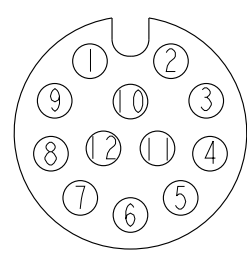
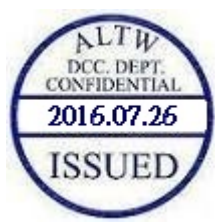
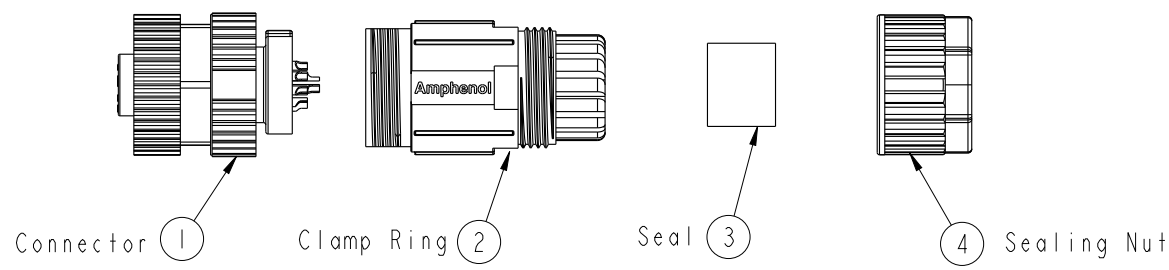
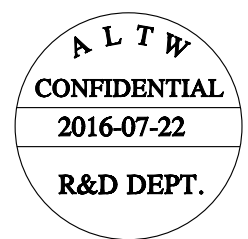
Email & Skype: info@chipsmall.com Web: www.chipsmall.com

Address: A1208, Overseas Decoration Building, #122 Zhenhua RD., Futian, Shenzhen, China

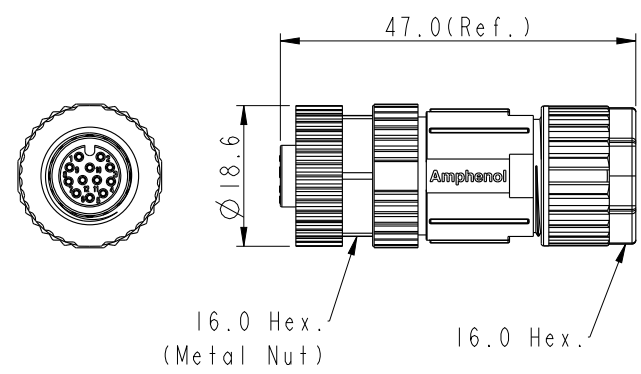


THIS DOCUMENT IS SUBJECT TO CHANGE WITHOUT NOTICE. IT IS CONFIDENTIAL AND A PROPERTY OF AMPHENOL LTW. DISCLOSURE TO THIRD PARTY HAS TO BE AUTHORIZED BY AMPHENOL LTW.

REV.	ECN NO.	DATE	SIGN	DESCRIPTION
A	Initial Release	2015/05/07	Lu Di	Change Rev.01 To Rev.A
B	LEN1670554	2016/07/22	Yulong_wang	Change the Note.



Pin Assignments
Front View



- Note:
- * (⊙) Important Dimension To Check.
 - * Waterproof Rate: IP67.
 - * Housing: Nylon, Black.
 - * Female Pin: Copper Alloy, Gold Plated.
 - * Nut: PBT+PC, Black.
 - * Female Nut: Zinc Alloy, Nickel Plated.
 - * O-Ring: Silicone, Grey.
 - * Clamp Ring: Nylon, Black.
 - * Sealing Nut: PBT+PC, Black.
 - * Seal: Silicone, Grey.
 - * Seal For Cable OD: $\varnothing 4.0\text{mm} \sim \varnothing 8.0\text{mm}$
 - * Applicable Wire gauge (Stranded wire cross section) 26AWG ~ 24AWG
 - * Mating Recommended tightening torque: 3~4 kgf.cm / 0.29~0.39 N.m
 - * Sealing-Nut Recommended tightening torque: 4~6 kgf.cm / 0.39~0.59 N.m
 - * Detailed applicable wire specifications may vary depending on the actual wire construction.

UNIT: mm		TITLE		ITEM NO.		DRAWN BY		DATE	
		M12 Unshielded Assy 12Pin F Conn. F Pin		M12A-12BFFA-SL7001		Yulong_wang		2016-07-22	
TOLERANCE		SCALE	SIZE	SHEET	DWG NO.	CHECKED BY	DATE		
.X ±0.25		1:1	A4	1 OF 1	M12A-12BFFA-SL7001	Jinhai	2016-07-22		
.XX ±0.1		REV.	WC-REV.		CUSTOMER	APPROVED BY	DATE		
.XXX ±0.05		B	A.2		ALTW	Jerry	2016-07-22		
ANGLES ±1°		(⊙): Inspection item		Amphenol LTW 安費諾亮泰企業股份有限公司					