



Chipsmall Limited consists of a professional team with an average of over 10 year of expertise in the distribution of electronic components. Based in Hongkong, we have already established firm and mutual-benefit business relationships with customers from,Europe,America and south Asia,supplying obsolete and hard-to-find components to meet their specific needs.

With the principle of “Quality Parts,Customers Priority,Honest Operation,and Considerate Service”,our business mainly focus on the distribution of electronic components. Line cards we deal with include Microchip,ALPS,ROHM,Xilinx,Pulse,ON,Everlight and Freescale. Main products comprise IC,Modules,Potentiometer,IC Socket,Relay,Connector.Our parts cover such applications as commercial,industrial, and automotives areas.

We are looking forward to setting up business relationship with you and hope to provide you with the best service and solution. Let us make a better world for our industry!



## Contact us

Tel: +86-755-8981 8866 Fax: +86-755-8427 6832

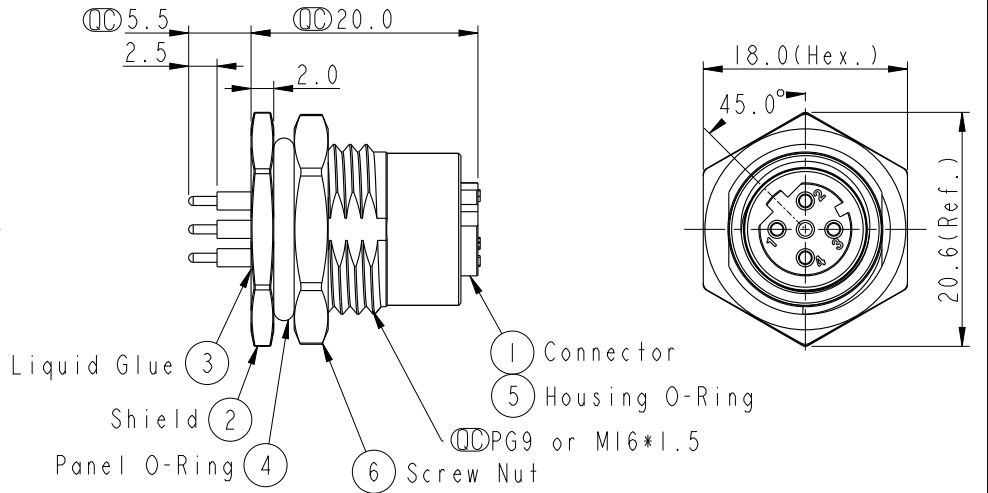
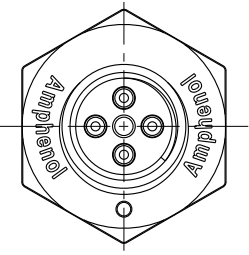
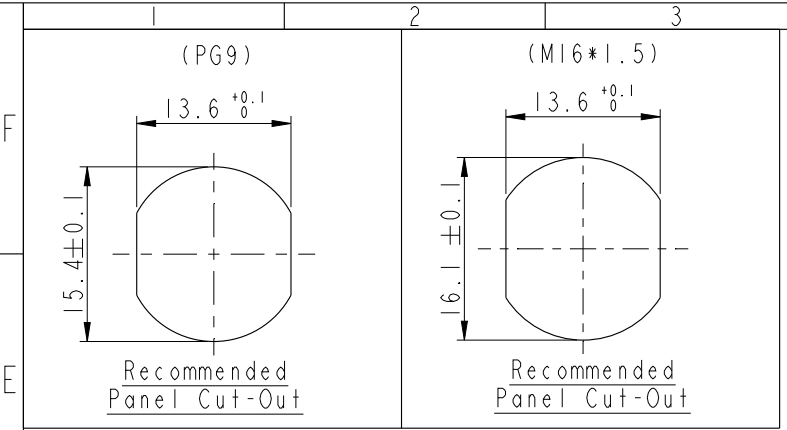
Email & Skype: info@chipsmall.com Web: www.chipsmall.com

Address: A1208, Overseas Decoration Building, #122 Zhenhua RD., Futian, Shenzhen, China



THIS DOCUMENT IS SUBJECT TO CHANGE WITHOUT NOTICE. IT IS CONFIDENTIAL AND A PROPERTY OF Amphenol LTW. DISCLOSURE TO THIRD PARTY HAS TO BE AUTHORIZED BY Amphenol LTW.

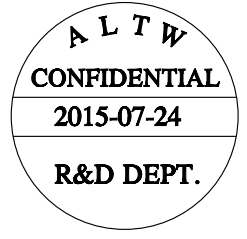
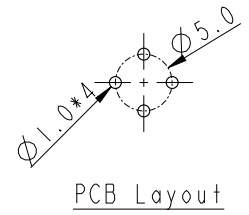
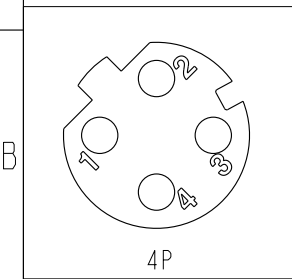
REV.	ECN NO.	DATE	SIGN	DESCRIPTION
B	LEN1580021-022	2015-07-24	Yulong_wang	Change to Share Drawing.



M 12D - 04 P F F P - S F 8 XXX

12D: D-Code  
 04: 4Pin  
 P: Panel (板端)  
 F: Female Connector (母座)  
 F: Female Pin (母Pin)  
 P: PCB THT/DIP Type (180° 基板插件式)

001: PG9  
 002: M16\*1.5  
 8: IP68 (防水等級68)  
 F: Front Fasten (前鎖式/Enclosure Rear Mount)  
 S: Screw (螺紋式)



Note:

- \*  $\varnothing$  Important Dimension.
- \* Waterproof Rate: IP68.
- \* Housing: Nylon+GF, Black.
- \* Female Pin: Copper Alloy, Gold Plated.
- \* Shield: Zinc Alloy, Nickel Plated.
- \* Screw Nut: Zinc Alloy, Nickel Plated.
- \* Panel O-Ring: Viton, Black.
- \* Housing O-Ring: Viton, Green.
- \* Rated Voltage: 250V dc. or ac.
- \* Rated Current: 4A
- \* Operating Temperature: -40~105°C
- \* For Panel Thickness Max 4.5mm.
- \* Recommended Nut Torque: 4-6 Kgf.cm.

UNIT: mm		TITLE M12 D-Code Female Conn. PCB Type Unshielded			ITEM NO. ALTW		DRAWN BY Yulong_wang		DATE 2015-07-24	
		TOLERANCE .X ±0.25 .XX ±0.1 .XXX ±0.05 ANGLES ±1°	SCALE 2:1	SIZE A4	SHEET 1 OF 1	DWG NO. M12D-04PFFP-SF8XXX	CHECKED BY Cary	DATE 2015-07-24	APPROVED BY Jerry	DATE 2015-07-24
		REV. B	WC-REV. A.5	Inspection item		CUSTOMER ALTW				

**Amphenol LTW**  
安費諾亮泰企業股份有限公司