



Chipsmall Limited consists of a professional team with an average of over 10 year of expertise in the distribution of electronic components. Based in Hongkong, we have already established firm and mutual-benefit business relationships with customers from,Europe,America and south Asia,supplying obsolete and hard-to-find components to meet their specific needs.

With the principle of “Quality Parts,Customers Priority,Honest Operation,and Considerate Service”,our business mainly focus on the distribution of electronic components. Line cards we deal with include Microchip,ALPS,ROHM,Xilinx,Pulse,ON,Everlight and Freescale. Main products comprise IC,Modules,Potentiometer,IC Socket,Relay,Connector.Our parts cover such applications as commercial,industrial, and automotives areas.

We are looking forward to setting up business relationship with you and hope to provide you with the best service and solution. Let us make a better world for our industry!



Contact us

Tel: +86-755-8981 8866 Fax: +86-755-8427 6832

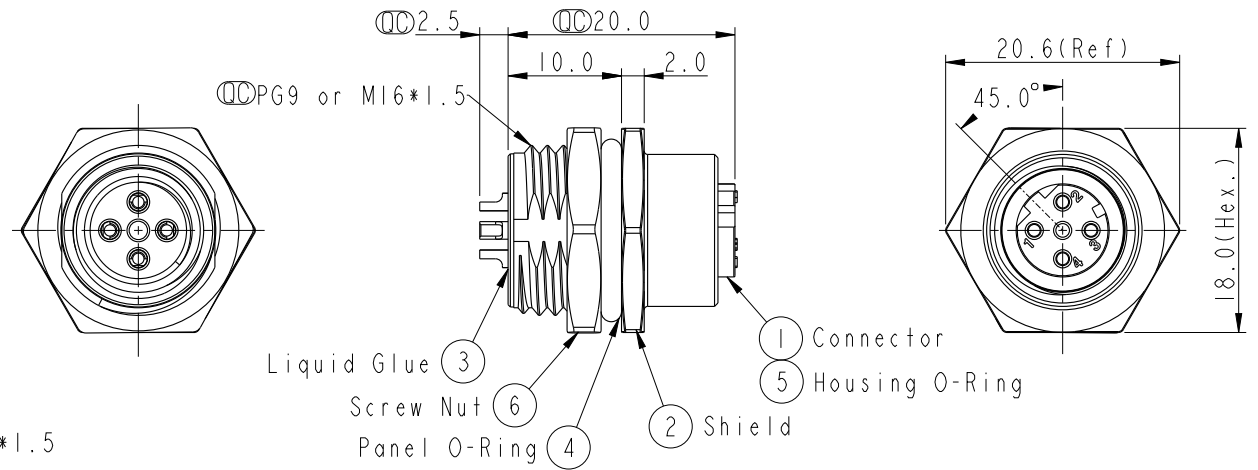
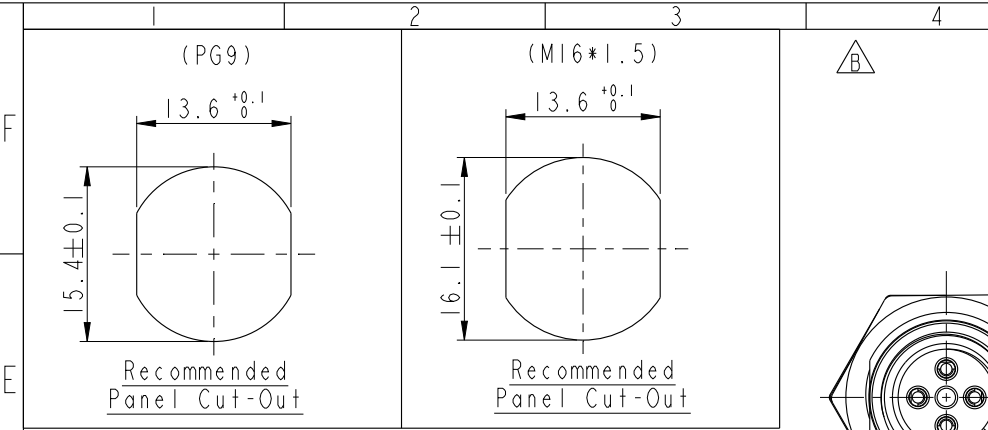
Email & Skype: info@chipsmall.com Web: www.chipsmall.com

Address: A1208, Overseas Decoration Building, #122 Zhenhua RD., Futian, Shenzhen, China



THIS DOCUMENT IS SUBJECT TO CHANGE WITHOUT NOTICE. IT IS CONFIDENTIAL AND A PROPERTY OF Amphenol LTW. DISCLOSURE TO THIRD PARTY HAS TO BE AUTHORIZED BY Amphenol LTW.

REV.	ECN NO.	DATE	SIGN	DESCRIPTION
B	LEN1580015-016	2015/07/24	Yulong_wang	Change to Share Drawing.
C	LEN1690143-144	2016/08/23	Yulong_wang	Add 3, 5 Pin & IP69K.

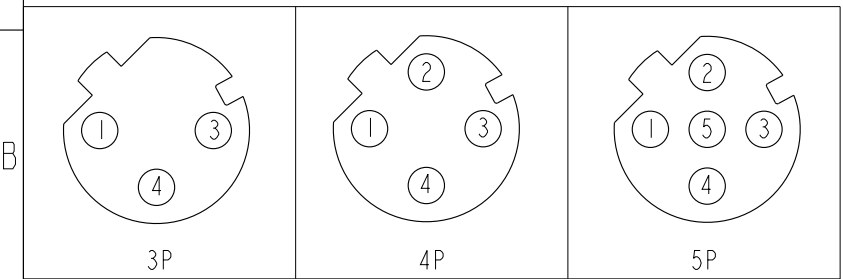


M I2D - XX P F F S - S H 8 XXX

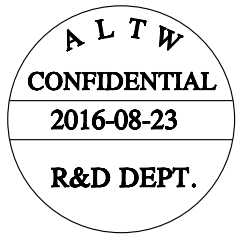
I2D: D-Code
 03: 3Pin
 04: 4Pin
 05: 5Pin \triangle

P: Panel (板端)
 F: Female Connector (母座)
 F: Female Pin (母Pin)

001: PG9
 002: M16*1.5
 8: IP68/69K (防水等級68/69K) \triangle
 H: Rear Fasten (后鎖式/Enclosure Front Mount)
 S: Screw (螺紋式)
 S: Solder Type (焊接式)

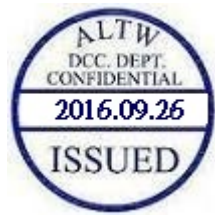


Pin Assignment Front View



Note:

- * ⌀ Important Dimension.
- \triangle * Waterproof Rate: IP68, IP69K.
- * Housing: Nylon+GF, Black.
- * Female Pin: Copper Alloy, Gold Plated.
- * Shield: Zinc Alloy, Nickel Plated.
- * Screw Nut: Zinc Alloy, Nickel Plated.
- * Panel O-Ring: Viton, Black.
- * Housing O-Ring: Viton, Green.
- \triangle * Rated Voltage: 3 & 4Pin 250V dc. or ac.
5Pin 60V dc. or ac.
- * Rated Current: 4A
- * Operating Temperature: -40~+105°C
- * For Panel Thickness Max 4.5mm.
- * Recommended Nut Torque: 4-6 Kgf.cm.



UNIT: mm		TITLE M12 D-Code Female Conn. Solder Rear Type
TOLERANCE .X ±0.25 .XX ±0.1 .XXX ±0.05 ANGLES ±1°	SCALE 2:1	SIZE A4
	REV. C	SHEET 1 OF 1
	WC-REV. A.5	⌀ : Inspection item

Amphenol LTW
 安費諾亮泰企業股份有限公司

ITEM NO.	DRAWN BY Yulong_wang	DATE 2016-08-23
DWG NO. M12D-XXPFFS-SH8XXX	CHECKED BY Jinhai	DATE 2016-08-23
CUSTOMER ALTW	APPROVED BY Jerry	DATE 2016-08-23