



Chipsmall Limited consists of a professional team with an average of over 10 year of expertise in the distribution of electronic components. Based in Hongkong, we have already established firm and mutual-benefit business relationships with customers from,Europe,America and south Asia,supplying obsolete and hard-to-find components to meet their specific needs.

With the principle of “Quality Parts,Customers Priority,Honest Operation,and Considerate Service”,our business mainly focus on the distribution of electronic components. Line cards we deal with include Microchip,ALPS,ROHM,Xilinx,Pulse,ON,Everlight and Freescale. Main products comprise IC,Modules,Potentiometer,IC Socket,Relay,Connector.Our parts cover such applications as commercial,industrial, and automotives areas.

We are looking forward to setting up business relationship with you and hope to provide you with the best service and solution. Let us make a better world for our industry!



## Contact us

Tel: +86-755-8981 8866 Fax: +86-755-8427 6832

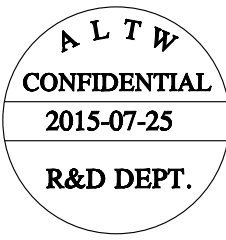
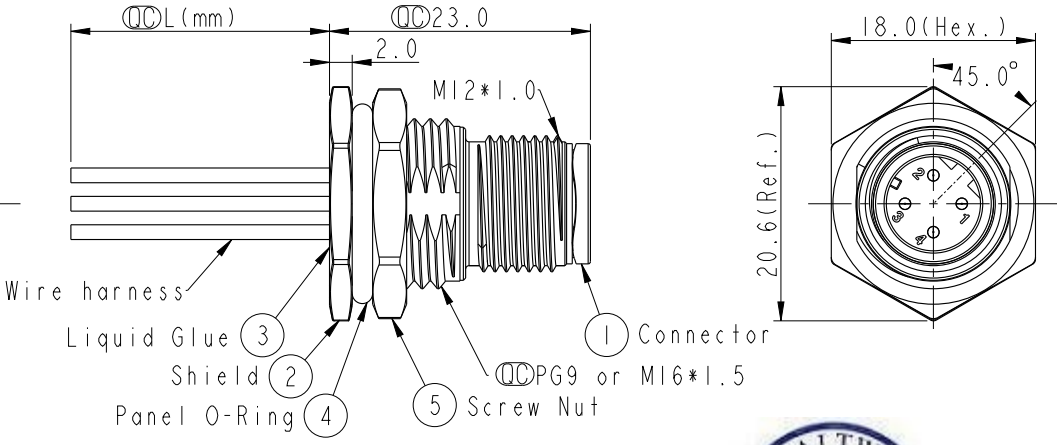
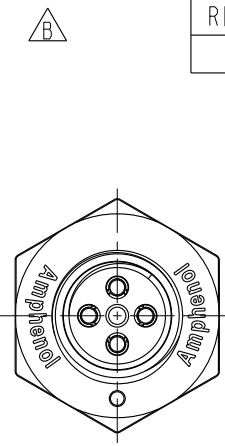
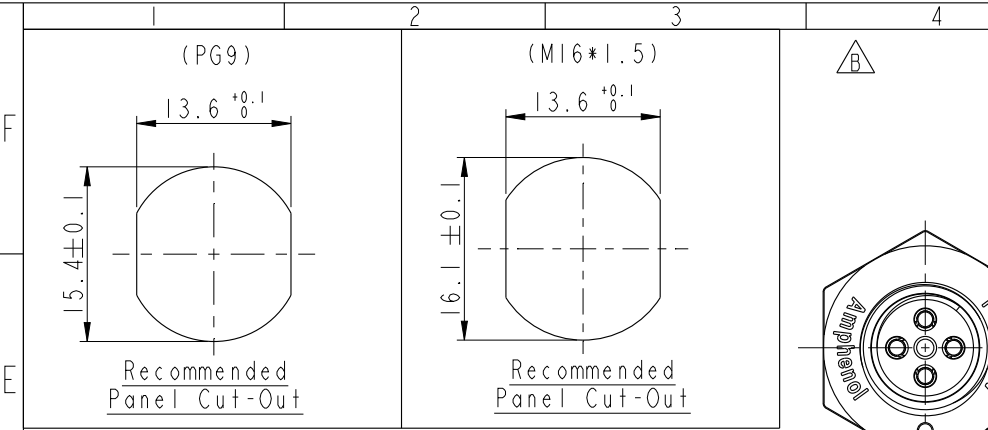
Email & Skype: info@chipsmall.com Web: www.chipsmall.com

Address: A1208, Overseas Decoration Building, #122 Zhenhua RD., Futian, Shenzhen, China

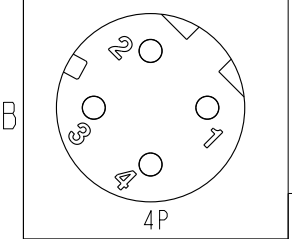


THIS DOCUMENT IS SUBJECT TO CHANGE WITHOUT NOTICE. IT IS CONFIDENTIAL AND A PROPERTY OF Amphenol LTW. DISCLOSURE TO THIRD PARTY HAS TO BE AUTHORIZED BY Amphenol LTW.

REV.	ECN NO.	DATE	SIGN	DESCRIPTION
B	LE31580016-017	2015-07-25	Yulong_wang	Change to Share Drawing.



4	Black	黑
3	Blue	藍
2	White	白
1	Brown	棕
Pin #	Wire	
	Pin Out	



M 12D - 04 P M M C - S F 8 X XX

12D: D-Code  
 04: 4Pin  
 P: Panel (板端)  
 M: Male Connector (公座)  
 M: Male Pin (公Pin)  
 C: Crimp Type (打端式)  
 S: Screw (螺紋式)

15: 150mm  
 30: 300mm  
 50: 500mm  
 A0: 1000mm  
 A5: 1500mm  
 Wire Length (L): 150~1500mm

B: PG9  
 C: M16\*1.5

8: IP68 (防水等級68)

F: Front Fasten (前鎖式/Enclosure Rear Mount)

- Note:
- \*  $\varnothing$  Important Dimension.
  - \* Waterproof Rate: IP68.
  - \* Housing: Nylon+GF, Black.
  - \* Male Pin: Copper Alloy, Gold Plated.
  - \* Shield: Zinc Alloy, Nickel Plated.
  - \* Screw Nut: Zinc Alloy, Nickel Plated.
  - \* Panel O-Ring: Viton, Black.
  - \* Wire harness: UL1061
  - \* Rated Voltage: 250V dc. or ac.
  - \* Rated Current: 4A
  - \* Operating Temperature: -25~85°C
  - \* For Panel Thickness Max 4.5mm.
  - \* Recommended Nut Torque: 4-6 Kgf.cm.
  - \* Wire harness Tolerance: 150~300 ±15mm  
 301~1000 ±20mm  
 Over 1000 ±40mm

Pin Assignments Front View	4P	UL1061	22	M12D-04PMMC-SF8BXX M12D-04PMMC-SF8CXX
	Contacts	Wire harness	AWG	Item No.

UNIT: mm		TITLE M12 D-Code Male Conn. Panel Front With Wire harness		
TOLERANCE .X ±0.25 .XX ±0.1 .XXX ±0.05 ANGLES ±1°	SCALE 2:1	SIZE A4	SHEET 1 OF 1	REV. B
	WC-REV. A.5	$\varnothing$ : Inspection item		

**Amphenol LTW**  
 安費諾亮泰企業股份有限公司

ITEM NO.	DRAWN BY	DATE
	Yulong_wang	2015-07-25
DWG NO.	CHECKED BY	DATE
M12D-04PMMC-SF8XXX	Cary	2015-07-25
CUSTOMER	APPROVED BY	DATE
ALTW	Jerry	2015-07-25