



Chipsmall Limited consists of a professional team with an average of over 10 year of expertise in the distribution of electronic components. Based in Hongkong, we have already established firm and mutual-benefit business relationships with customers from,Europe,America and south Asia,supplying obsolete and hard-to-find components to meet their specific needs.

With the principle of “Quality Parts,Customers Priority,Honest Operation,and Considerate Service”,our business mainly focus on the distribution of electronic components. Line cards we deal with include Microchip,ALPS,ROHM,Xilinx,Pulse,ON,Everlight and Freescale. Main products comprise IC,Modules,Potentiometer,IC Socket,Relay,Connector.Our parts cover such applications as commercial,industrial, and automotives areas.

We are looking forward to setting up business relationship with you and hope to provide you with the best service and solution. Let us make a better world for our industry!



Contact us

Tel: +86-755-8981 8866 Fax: +86-755-8427 6832

Email & Skype: info@chipsmall.com Web: www.chipsmall.com

Address: A1208, Overseas Decoration Building, #122 Zhenhua RD., Futian, Shenzhen, China

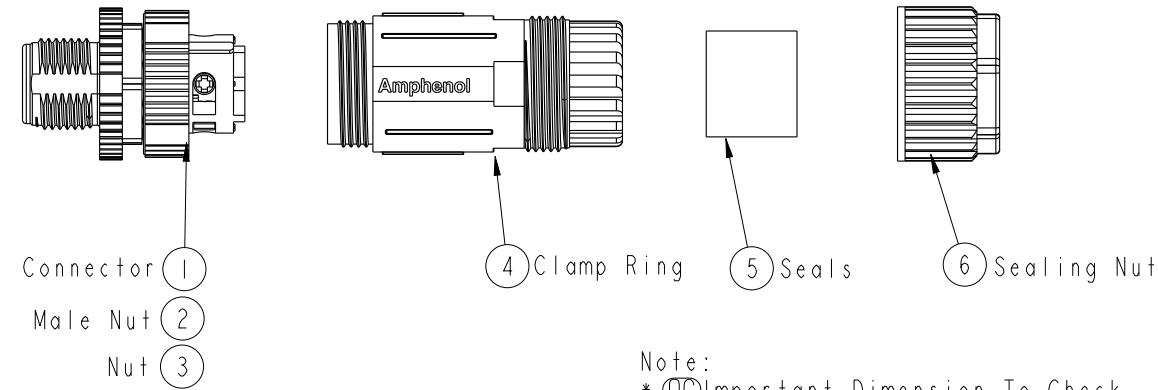


THIS DOCUMENT IS SUBJECT TO CHANGE WITHOUT NOTICE. IT IS CONFIDENTIAL AND A PROPERTY OF Amphenol LTW. DISCLOSURE TO THIRD PARTY HAS TO BE AUTHORIZED BY Amphenol LTW.

REV.	ECN NO.	DATE	SIGN	DESCRIPTION
A	Initial Release	2015-03-26	Cary	Change Rev. 01 to Rev.A

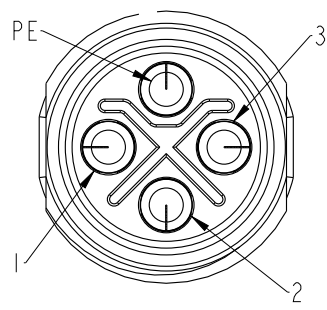
ALTW
CONFIDENTIAL
2015-03-26
R&D DEPT.

ALTW
DCC. DEPT.
CONFIDENTIAL
2015.05.21
ISSUED

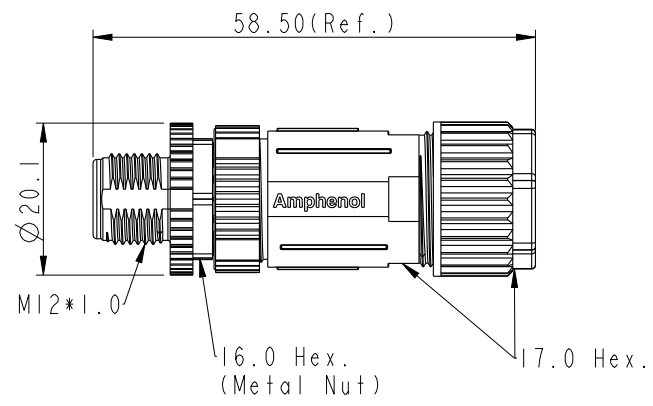


Note:

- * CC Important Dimension To Check.
- * Waterproof Rate: IP67
- * Housing: Nylon, UL94V-0, Black
- * Male Pin: Copper Alloy, Gold Plated
- * Male Nut: Zinc Alloy, Nickel Plated
- * O-Ring: Silicone, UL94V-0, Gray
- * Clamp Ring: Nylon, UL94V-0, Black
- * Sealing Nut: PBT+PC, UL94V-0, Black
- * Seals: Silicone, UL94V-0, Gray
- * Rated Voltage: 630V AC
- * Rated Current at 40°C: 12A
- * Operation Temperature: -40~105°C.
- * Seal For Cable Range OD: $\varnothing 8.0\text{mm} \sim \varnothing 10.0\text{mm}$, 16AWG
- * Screws for Wire connection recommended
tightening torque: 0.61~0.84 kgf.cm / 0.059~0.082 N.m
- * Applicable Wire gauge (Stranded wire cross section)
0.52mm² (20AWG) ~ 1.31mm² (16AWG)
- * Mating Recommended tightening torque:
3~4 kgf.cm / 0.29~0.39 N.m
- * Sealing-Nut Recommended tightening torque:
4~6 kgf.cm / 0.39~0.59 N.m
- * Detailed applicable wire specifications may vary
depending on the actual wire construction.



Pin Assignments
Front View



UNIT:mm		
TOLERANCE		
.X	±0.25	
.XX	±0.1	
.XXX	±0.05	
ANGLES	±1°	

TITLE M12 S Code M Conn. ASSY			
SCALE 1:1	SIZE A4	SHEET 1 OF 1	
REV. A	WC-REV. .0	CC : Inspection item	

Amphenol LTW
安費諾亮泰企業股份有限公司

ITEM NO. M12S-04BMMB-SL7002	DRAWN BY Cary	DATE 2015-03-26
DWG NO. M12S-04BMMB-SL7002	CHECKED BY Lu Di	DATE 2015-03-26
CUSTOMER ALTW	APPROVED BY Jerry	DATE 2015-03-26