



Chipsmall Limited consists of a professional team with an average of over 10 year of expertise in the distribution of electronic components. Based in Hongkong, we have already established firm and mutual-benefit business relationships with customers from,Europe,America and south Asia,supplying obsolete and hard-to-find components to meet their specific needs.

With the principle of “Quality Parts,Customers Priority,Honest Operation,and Considerate Service”,our business mainly focus on the distribution of electronic components. Line cards we deal with include Microchip,ALPS,ROHM,Xilinx,Pulse,ON,Everlight and Freescale. Main products comprise IC,Modules,Potentiometer,IC Socket,Relay,Connector.Our parts cover such applications as commercial,industrial, and automotives areas.

We are looking forward to setting up business relationship with you and hope to provide you with the best service and solution. Let us make a better world for our industry!



Contact us

Tel: +86-755-8981 8866 Fax: +86-755-8427 6832

Email & Skype: info@chipsmall.com Web: www.chipsmall.com

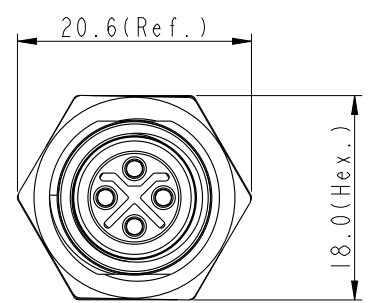
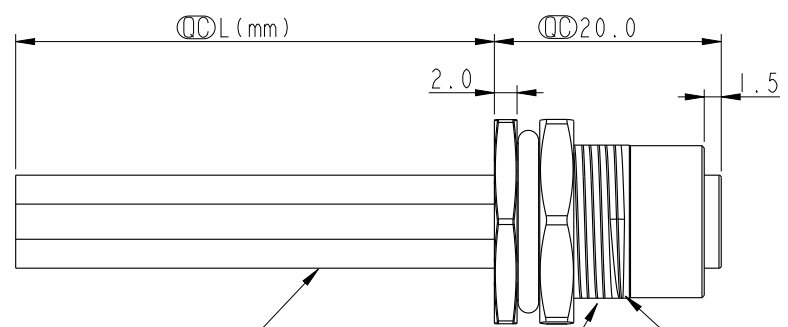
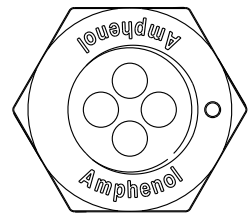
Address: A1208, Overseas Decoration Building, #122 Zhenhua RD., Futian, Shenzhen, China



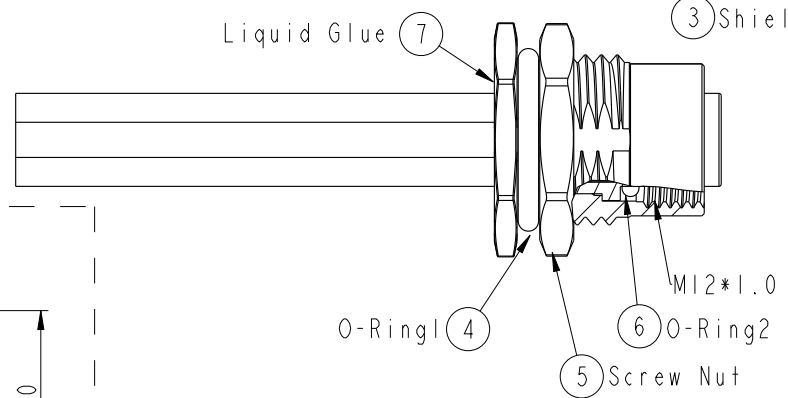
THIS DOCUMENT IS SUBJECT TO CHANGE WITHOUT NOTICE. IT IS CONFIDENTIAL AND A PROPERTY OF Amphenol LTW. DISCLOSURE TO THIRD PARTY HAS TO BE AUTHORIZED BY Amphenol LTW.

REV.	ECN NO.	DATE	SIGN	DESCRIPTION
A	Initial Release	2015/03/04	Cary	Change Rev. 01 to Rev.A

ALTW
CONFIDENTIAL
 2015-03-04
R&D DEPT.



Wire Harness ⑧ ~ ⑪
 PG9
 ① Connector
 ② Female Pin
 ③ Shield

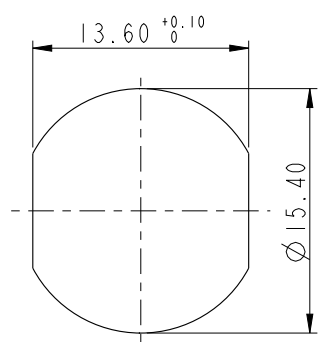
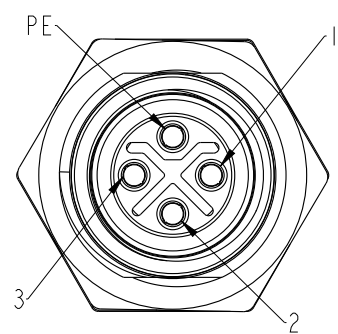


ALTW
 DCC. DEPT.
 CONFIDENTIAL
 2015.04.27
ISSUED

M12S-04PFFS-SF8BXX

XX: 150~1500mm
 15: 150mm
 30: 300mm
 50: 500mm
 A0: 1000mm
 A5: 1500mm
 Wire Length(L): 150~1500mm

- Note:
- * \varnothing Important Dimension.
 - * Waterproof Rate: IP68.
 - * IP68: 1M Depth Of Water In 24hours.
 - * Housing: PA66, UL94V-0, Black.
 - * Female Pin: Copper Alloy, Gold Plated.
 - * Shield: Zinc Alloy, Nickel Plated.
 - * Panel Nut: Zinc Alloy, Nickel Plated.
 - * O-Ring1: Viton, Black.
 - * O-Ring2: Viton, Green.
 - * Wire Harness: UL1015 16AWG (1.5mm²).
 - * Rated Voltage: 630V AC.
 - * Rated Current at 40°C: 12A.
 - * Operation Temperature: -40~85°C.
 - * For Panel Thickness Max 4.5mm.
 - * Nut Torque: 4~6 Kgf-cm (0.4~0.6N.m).
 - * Wire harness Tolerance: 150~300 ±15mm
 301~1000 ±20mm
 Over1000 ±40mm



PE	Black	黑
3	Blue	藍
2	White	白
1	Brown	棕
Conn.	Wire Color	
	Pin Out	

UNIT: mm		TITLE	<h1>Amphenol LTW</h1> 安費諾亮泰企業股份有限公司		ITEM NO	DRAWN BY	DATE
		M12 S-Code 4Pin Female Type			M12S-04PFFS-SF8BXX	Cary	2015-03-04
TOLERANCE		SCALE	SIZE	SHEET	OF	CHECKED BY	DATE
.X ±0.25		2:1	A4	1	1	Yu Long	2015-03-04
.XX ±0.1		REV.	WC-REV.	(Circled C): Inspection item		APPROVED BY	DATE
.XXX ±0.05		A	A.3			Jerry	2015-03-04
ANGLES ±1°				CUSTOMER			
				ALTW			

Grid lines labeled 2, 3, 4, 5, 6, 7, 8 across the top and 20, 15, 10, 5, A, B, C, D, E, F along the left side.