



Chipsmall Limited consists of a professional team with an average of over 10 year of expertise in the distribution of electronic components. Based in Hongkong, we have already established firm and mutual-benefit business relationships with customers from,Europe,America and south Asia,supplying obsolete and hard-to-find components to meet their specific needs.

With the principle of “Quality Parts,Customers Priority,Honest Operation,and Considerate Service”,our business mainly focus on the distribution of electronic components. Line cards we deal with include Microchip,ALPS,ROHM,Xilinx,Pulse,ON,Everlight and Freescale. Main products comprise IC,Modules,Potentiometer,IC Socket,Relay,Connector.Our parts cover such applications as commercial,industrial, and automotives areas.

We are looking forward to setting up business relationship with you and hope to provide you with the best service and solution. Let us make a better world for our industry!



Contact us

Tel: +86-755-8981 8866 Fax: +86-755-8427 6832

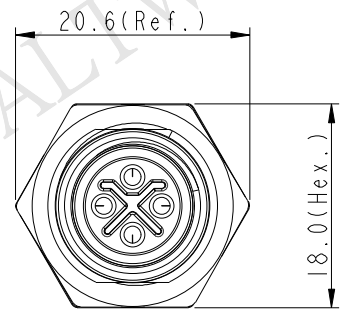
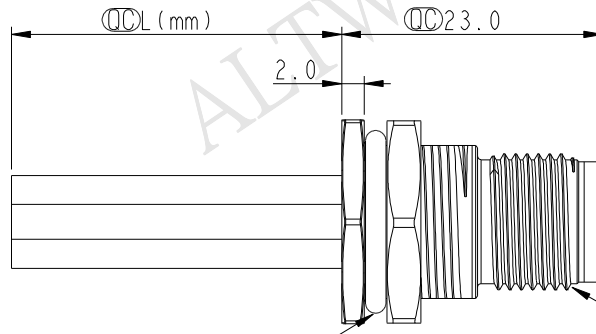
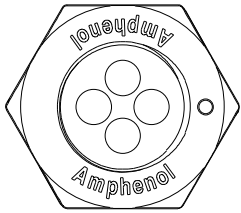
Email & Skype: info@chipsmall.com Web: www.chipsmall.com

Address: A1208, Overseas Decoration Building, #122 Zhenhua RD., Futian, Shenzhen, China



| REV. | ECN NO. | DATE | SIGN | DESCRIPTION |
|------|-----------------|------------|---------|-------------------------|
| A | Initial Release | 2015/03/04 | Cary | Change Rev. 01 to Rev.A |
| B | LE317A0001-0004 | 2017-10-09 | Feng_Li | Update The Note |

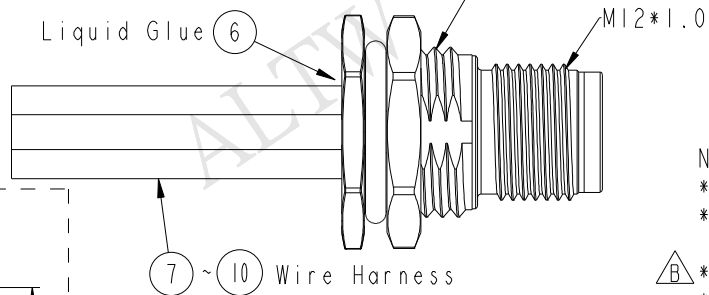
ALTW
CONFIDENTIAL
2017-10-09
R&D DEPT.



M12S-04PMMS-SF8BXX

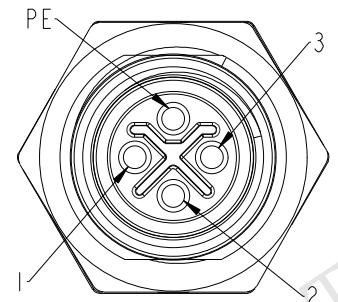
XX: 150~1500mm
 15: 150mm
 30: 300mm
 50: 500mm
 A0: 1000mm
 A5: 1500mm
 Wire Length(L): 150~1500mm

- ① Connector
- ② Male Pin
- ③ Shield
- ④ O-Ring
- ⑤ Screw Nut

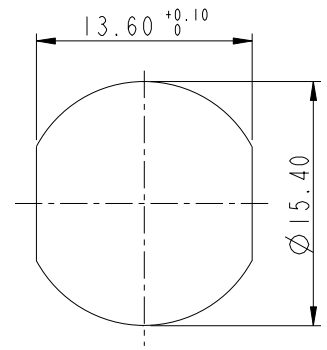


ALTW
DCC. DEPT.
CONFIDENTIAL
2017.10.30
ISSUED

- Note:
- * \varnothing Important Dimension.
 - * Waterproof Rate: IP68.
 - * IP68: 1M Depth Of Water In 24hours.
 - * Housing: Nylon+GF, UL94V-0, Black.
 - * Male Pin: Copper Alloy, Gold Plated.
 - * Shield: Zinc Alloy, Nickel Plated.
 - * Panel Nut: Zinc Alloy, Nickel Plated.
 - * O-Ring: Viton, Black.
 - * Wire Harness: UL1015 16AWG (1.5mm²).
 - * Rated Voltage: 630V AC
 - * Rated Current at 40°C: 12A
 - * Operation Temperature: -40~85°C.
 - * For Panel Thickness Max 4.5mm.
 - * Nut Torque: 4-6 Kgf.cm (0.4~0.6N.m).
 - * Wire harness Tolerance: 150~300 ±15mm
 301~1000 ±20mm
 Over 1000 ±40mm



Pin Assignment
 Front View



Recommended
 Panel Cut-Out

| | | |
|-------|------------|---------|
| PE | Black | 黑 |
| 3 | Blue | 藍 |
| 2 | White | 白 |
| 1 | Brown | 棕 |
| Conn. | Wire Color | Pin Out |

UNIT:mm

| TOLERANCE | |
|-----------|-------|
| .X | ±0.25 |
| .XX | ±0.1 |
| .XXX | ±0.05 |
| ANGLES | ±1° |

| TITLE | | | |
|---------------------------|-----|---------|-----|
| M12 S-Code 4Pin Male Type | | | |
| SCALE | 1:1 | SIZE | A4 |
| REV. | B | WC-REV. | A.2 |
| ②: Inspection item | | | |

Amphenol LTW
 安費諾亮泰企業股份有限公司

| ITEM NO | DRAWN BY | DATE |
|------------------------------|-------------|------------|
| DWG NO M12S-04PMMS-SF8BXX | Feng_Li | 2017-10-09 |
| CUSTOMER | CHECKED BY | DATE |
| ALTW | Mafei | 2017-10-09 |
| | APPROVED BY | DATE |
| | Jerry | 2017-10-09 |

THIS DOCUMENT IS SUBJECT TO CHANGE WITHOUT NOTICE. IT IS CONFIDENTIAL AND A PROPERTY OF Amphenol LTW. DISCLOSURE TO THIRD PARTY HAS TO BE AUTHORIZED BY Amphenol LTW.

F
E
D
C
B
A