



Chipsmall Limited consists of a professional team with an average of over 10 year of expertise in the distribution of electronic components. Based in Hongkong, we have already established firm and mutual-benefit business relationships with customers from,Europe,America and south Asia,supplying obsolete and hard-to-find components to meet their specific needs.

With the principle of “Quality Parts,Customers Priority,Honest Operation,and Considerate Service”,our business mainly focus on the distribution of electronic components. Line cards we deal with include Microchip,ALPS,ROHM,Xilinx,Pulse,ON,Everlight and Freescale. Main products comprise IC,Modules,Potentiometer,IC Socket,Relay,Connector.Our parts cover such applications as commercial,industrial, and automotives areas.

We are looking forward to setting up business relationship with you and hope to provide you with the best service and solution. Let us make a better world for our industry!



Contact us

Tel: +86-755-8981 8866 Fax: +86-755-8427 6832

Email & Skype: info@chipsmall.com Web: www.chipsmall.com

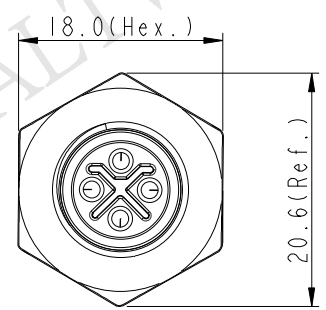
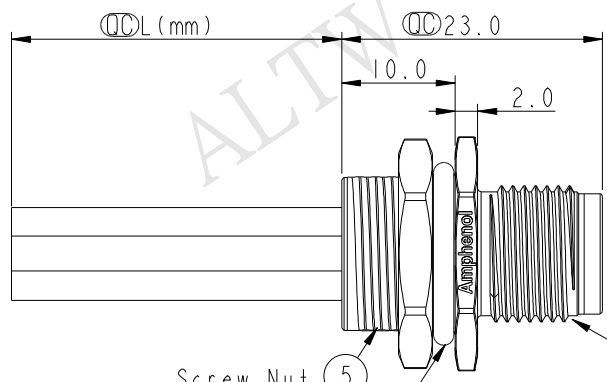
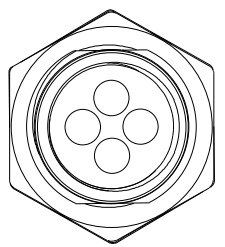
Address: A1208, Overseas Decoration Building, #122 Zhenhua RD., Futian, Shenzhen, China



THIS DOCUMENT IS SUBJECT TO CHANGE WITHOUT NOTICE. IT IS CONFIDENTIAL AND A PROPERTY OF Amphenol LTW. DISCLOSURE TO THIRD PARTY HAS TO BE AUTHORIZED BY Amphenol LTW.

REV.	ECN NO.	DATE	SIGN	DESCRIPTION
A	Initial Release	2015/03/04	Cary	Change Rev. 01 to Rev.A
B	LE317A0006-0007	2017-10-09	Feng_Li	Update The Note

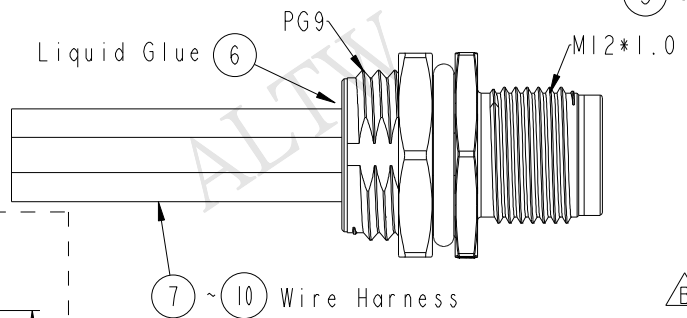
ALTW
CONFIDENTIAL
2017-10-09
R&D DEPT.



M12S-04PMMS-SH8BXX

- XX: 150~1500mm
- 15: 150mm
- 30: 300mm
- 50: 500mm
- A0: 1000mm
- A5: 1500mm
- Wire Length(L): 150~1500mm

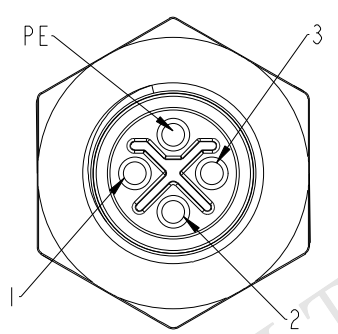
- ① Connector
- ② Male Pin
- ③ Shield
- ④ O-Ring
- ⑤ Screw Nut



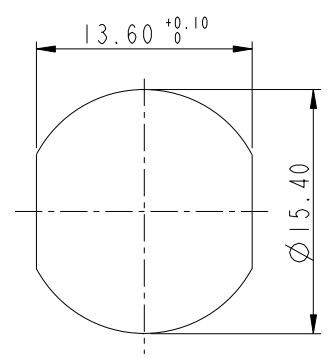
⑦ ~ ⑩ Wire Harness

ALTW
DCC. DEPT.
CONFIDENTIAL
2017.10.30
ISSUED

- Note:
- * \varnothing Important Dimension.
 - * Waterproof Rate: IP68.
 - IP68: 1M Depth Of Water In 24hours.
 - * Housing: Nylon+GF, UL94V-0, Black.
 - * Male Pin: Copper Alloy, Gold Plated.
 - * Shield: Zinc Alloy, Nickel Plated.
 - * Panel Nut: Zinc Alloy, Nickel Plated.
 - * O-Ring: Viton, Black.
 - * Wire Harness: UL1015 16AWG(1.5mm²).
 - * Rated Voltage: 630V AC
 - * Rated Current at 40°C: 12A
 - * Operation Temperature: -40~85°C.
 - * For Panel Thickness Max 4.5mm.
 - * Nut Torque: 4-6 Kgf.cm(0.4~0.6N.m).
 - * Wire harness Tolerance: 150~300 ±15mm
 - 301~1000 ±20mm
 - Over1000 ±40mm



Pin Assignment
Front View



Recommended
Panel Cut-Out

PE	Black	黑
3	Blue	藍
2	White	白
1	Brown	棕
Conn.	Wire Color	Pin Out

UNIT:mm		TITLE		ITEM NO		DRAWN BY		DATE	
TOLERANCE		M12 S-Code 4Pin Male Type		ALTW		Feng_Li		2017-10-09	
.X	±0.25	SCALE	1:1	DWG NO	M12S-04PMMS-SH8BXX	CHECKED BY	Mafei	DATE	2017-10-09
.XX	±0.1	SIZE	A4	CUSTOMER	ALTW	APPROVED BY	Jerry	DATE	2017-10-09
.XXX	±0.05	REV.	B	SHEET 1 OF 1		DATE		2017-10-09	
ANGLES	±1°	WC-REV.	A.2	③: Inspection item		DATE		2017-10-09	

Amphenol LTW
安費諾亮泰企業股份有限公司