



Chipsmall Limited consists of a professional team with an average of over 10 year of expertise in the distribution of electronic components. Based in Hongkong, we have already established firm and mutual-benefit business relationships with customers from,Europe,America and south Asia,supplying obsolete and hard-to-find components to meet their specific needs.

With the principle of “Quality Parts,Customers Priority,Honest Operation,and Considerate Service”,our business mainly focus on the distribution of electronic components. Line cards we deal with include Microchip,ALPS,ROHM,Xilinx,Pulse,ON,Everlight and Freescale. Main products comprise IC,Modules,Potentiometer,IC Socket,Relay,Connector.Our parts cover such applications as commercial,industrial, and automotives areas.

We are looking forward to setting up business relationship with you and hope to provide you with the best service and solution. Let us make a better world for our industry!



Contact us

Tel: +86-755-8981 8866 Fax: +86-755-8427 6832

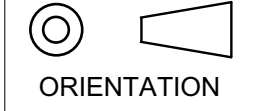
Email & Skype: info@chipsmall.com Web: www.chipsmall.com

Address: A1208, Overseas Decoration Building, #122 Zhenhua RD., Futian, Shenzhen, China

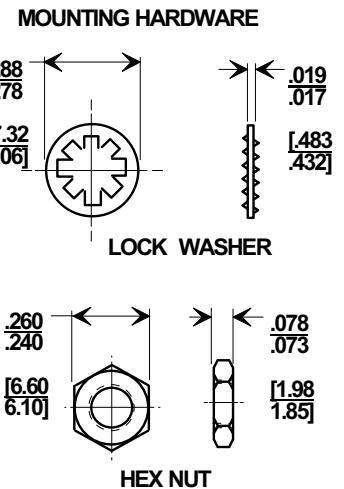
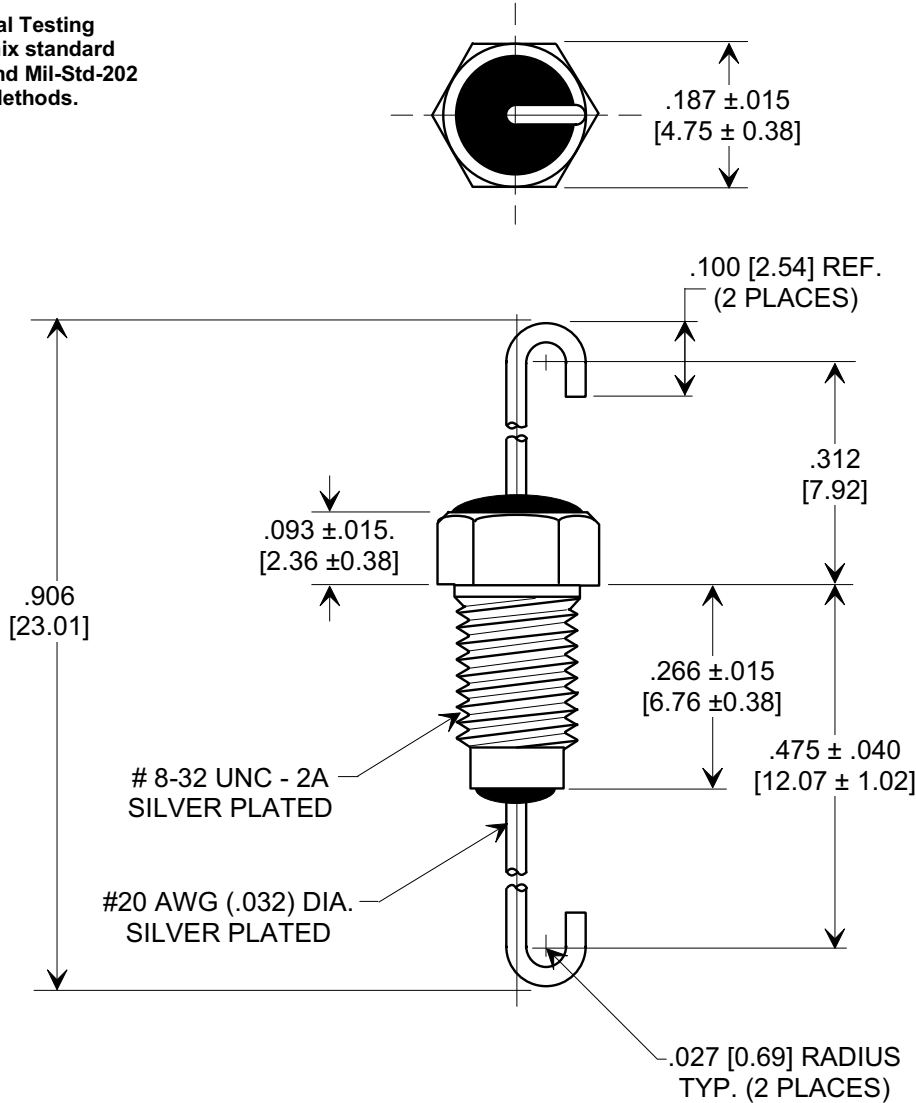
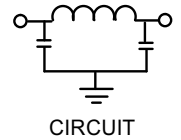


This drawing is the property of Tusonix, Inc., and may not be used, reproduced, published or disclosed to others without expressed authorization by Tusonix Inc.

MARKETING SALES DRAWING
DIMENSIONS IN INCHES - DO NOT SCALE THIS DRAWING
DIMENSIONS IN METRIC - []



Electrical Testing
 per Tusonix standard
 test plans and Mil-Std-202
 Test Methods.



- NOTE:
 1. SUPPLIED WITH SILVER PLATED HEX NUT AND INTERNAL TOOTH LOCK WASHER.
 2. MOUNTING TORQUE NOT TO EXCEED 3 lb-in.

MIN. CAP (pF)	WORKING VOLTAGE	CURRENT	MINIMUM NO LOAD INSERTION LOSS (dB) @ 25°C PER MIL-STD-220			
	125°C		50 MHz	100 MHz	1 GHz	10 GHz
1500	100	10A	25	45	60	60

X-2015 Rev-0 REVISION RECORD Original Release C.O. ECO-666	A	--TOLERANCES-- Unless Otherwise Specified	Title MIL-15733/28-0002 BUSHING STYLE EMI FILTER	
	DECIMAL ± .031			
	ANGLES ±	Drawn L.E. 04-15-09 Scale 4 X		
	TUSONIX TUCSON, ARIZONA		Approved R.L. 04-15-09 A	4201-503