



Chipsmall Limited consists of a professional team with an average of over 10 year of expertise in the distribution of electronic components. Based in Hongkong, we have already established firm and mutual-benefit business relationships with customers from,Europe,America and south Asia,supplying obsolete and hard-to-find components to meet their specific needs.

With the principle of “Quality Parts,Customers Priority,Honest Operation,and Considerate Service”,our business mainly focus on the distribution of electronic components. Line cards we deal with include Microchip,ALPS,ROHM,Xilinx,Pulse,ON,Everlight and Freescale. Main products comprise IC,Modules,Potentiometer,IC Socket,Relay,Connector.Our parts cover such applications as commercial,industrial, and automotives areas.

We are looking forward to setting up business relationship with you and hope to provide you with the best service and solution. Let us make a better world for our industry!



Contact us

Tel: +86-755-8981 8866 Fax: +86-755-8427 6832

Email & Skype: info@chipsmall.com Web: www.chipsmall.com

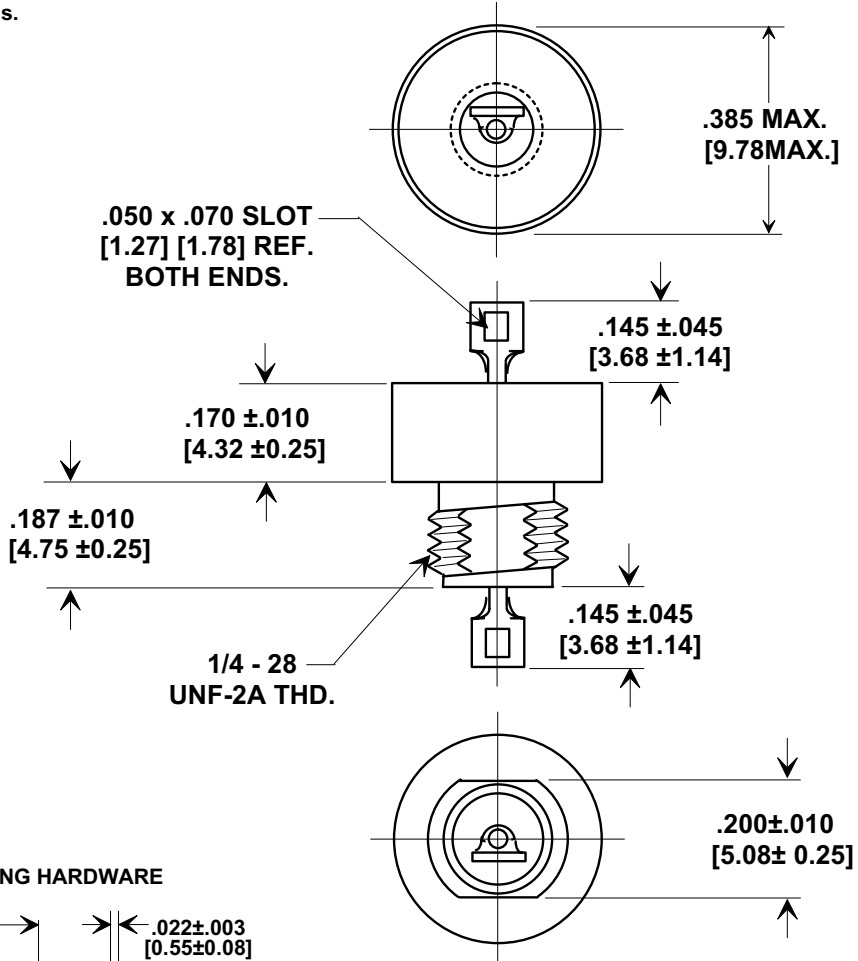
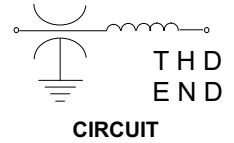
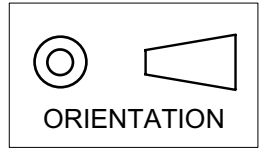
Address: A1208, Overseas Decoration Building, #122 Zhenhua RD., Futian, Shenzhen, China



MARKETING SALES DRAWING

DIMENSIONS IN INCHES - DO NOT SCALE THIS DRAWING
DIMENSIONS IN METRIC - []

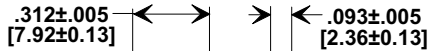
Electrical Testing
 per Tusonix standard
 test plans and Mil-Std-202
 Test Methods.



MOUNTING HARDWARE



LOCK WASHER



HEX NUT

NOTES:

MATERIALS:

- BUSHING - TIN PLATED STEEL
- LEAD - SOLDER PLATED COPPER
- NUT - TIN PLATED BRASS
- L'WASHER - TIN PLATED PHOSPHOR BRONZE
- MOUNTING TORQUE: 8 lb - ins. max
- SEAL TESTED PER MIL-STD-202 METHOD 112 CONDITION A.
- DCR - .01Ω max.
- MAX. SOLDER TEMPERATURE 500°F

Cx REF. ONLY	WORKING VOLTAGE DC		CURRENT D.C.	MINIMUM NO LOAD INSERTION LOSS (dB) AT 25°C PER MIL-STD-220					
	85°C	125°C		30 KHz	150 KHz	300 KHz	1 MHz	10 MHz	1 GHz
	1.4 μF REF.	80		50	10 A	15	28	33	44

X-2015 Rev-0	REVISION RECORD		
	Original Release	0	
	C.O. 20010523-2-01		
	ADDED CX. S.M. 12-18-01		
		1	
			20011210-2-14

--TOLERANCES-- Unless Otherwise Specified		Title MI5733/38-0005	
DECIMAL ± // //		HERMETICALLY SEALED	
ANGLES ± // //		BUSHING MOUNT EMI FILTER	
Approved		Drawn S.M. 05-23-01	Scale X 3
Approved B.Mc. 05-23-01			
TUSONIX TUCSON, ARIZONA		A	4601-504