



Chipsmall Limited consists of a professional team with an average of over 10 year of expertise in the distribution of electronic components. Based in Hongkong, we have already established firm and mutual-benefit business relationships with customers from,Europe,America and south Asia,supplying obsolete and hard-to-find components to meet their specific needs.

With the principle of “Quality Parts,Customers Priority,Honest Operation,and Considerate Service”,our business mainly focus on the distribution of electronic components. Line cards we deal with include Microchip,ALPS,ROHM,Xilinx,Pulse,ON,Everlight and Freescale. Main products comprise IC,Modules,Potentiometer,IC Socket,Relay,Connector.Our parts cover such applications as commercial,industrial, and automotives areas.

We are looking forward to setting up business relationship with you and hope to provide you with the best service and solution. Let us make a better world for our industry!



Contact us

Tel: +86-755-8981 8866 Fax: +86-755-8427 6832

Email & Skype: info@chipsmall.com Web: www.chipsmall.com

Address: A1208, Overseas Decoration Building, #122 Zhenhua RD., Futian, Shenzhen, China

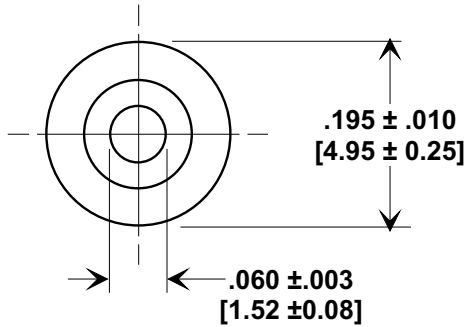
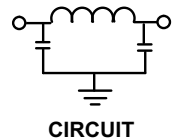
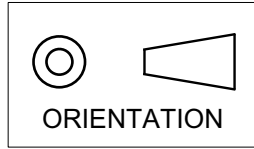


MARKETING SALES DRAWING

DIMENSIONS IN INCHES - DO NOT SCALE THIS DRAWING
DIMENSIONS IN METRIC - []

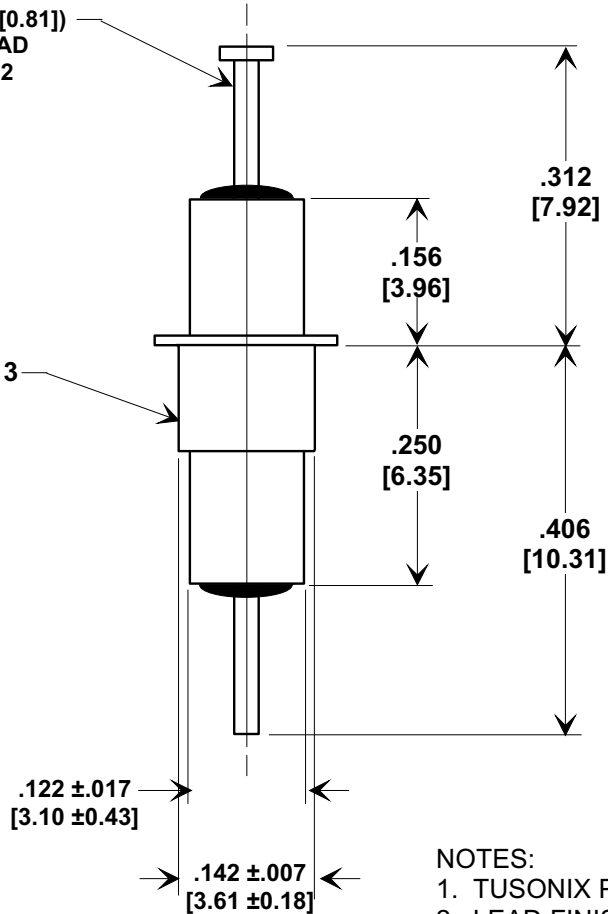
This drawing is the property of Tusonix, Inc., and may not be used, reproduced, published or disclosed to others without expressed authorization by Tusonix Inc.

Electrical Testing
per Tusonix standard
test plans and Mil-Std-202
Test Methods.



#20 AWG. (.032 [0.81])
 COPPER LEAD
 SEE NOTE 2

SEE NOTE 3



NOTES:

1. TUSONIX PART NUMBER: 4101-504.
2. LEAD FINISH: 60/40 SOLDER PLATED.
3. EYELET FINISH: 60/40 SOLDER PLATED.

MIN. CAP. pF	85°C Working Voltage	Current IDC	Minimum No Load Insertion Loss (dB) at 25°C per Mil-Std-220			
			10 MHz	100 MHz	1 GHz	10 GHz
5500	200 VDC 200 VAC	10 A	15	55	70	70

X-2015 Rev-0 REVISION RECORD Original Release C.O. 20080716-3-01	0	--TOLERANCES-- Unless Otherwise Specified	Title		
	EMI FILTER M15733/51-0001				
	DECIMAL ± .031[0.79]		Drawn	S.M. 07-17-08	Scale
	ANGLES ±		Approved	R.L. 07-17-08	5 X
TUSONIX TUCSON, ARIZONA		A	4101-504		