



Chipsmall Limited consists of a professional team with an average of over 10 year of expertise in the distribution of electronic components. Based in Hongkong, we have already established firm and mutual-benefit business relationships with customers from,Europe,America and south Asia,supplying obsolete and hard-to-find components to meet their specific needs.

With the principle of “Quality Parts,Customers Priority,Honest Operation,and Considerate Service”,our business mainly focus on the distribution of electronic components. Line cards we deal with include Microchip,ALPS,ROHM,Xilinx,Pulse,ON,Everlight and Freescale. Main products comprise IC,Modules,Potentiometer,IC Socket,Relay,Connector.Our parts cover such applications as commercial,industrial, and automotives areas.

We are looking forward to setting up business relationship with you and hope to provide you with the best service and solution. Let us make a better world for our industry!



Contact us

Tel: +86-755-8981 8866 Fax: +86-755-8427 6832

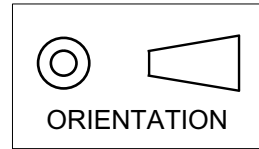
Email & Skype: info@chipsmall.com Web: www.chipsmall.com

Address: A1208, Overseas Decoration Building, #122 Zhenhua RD., Futian, Shenzhen, China

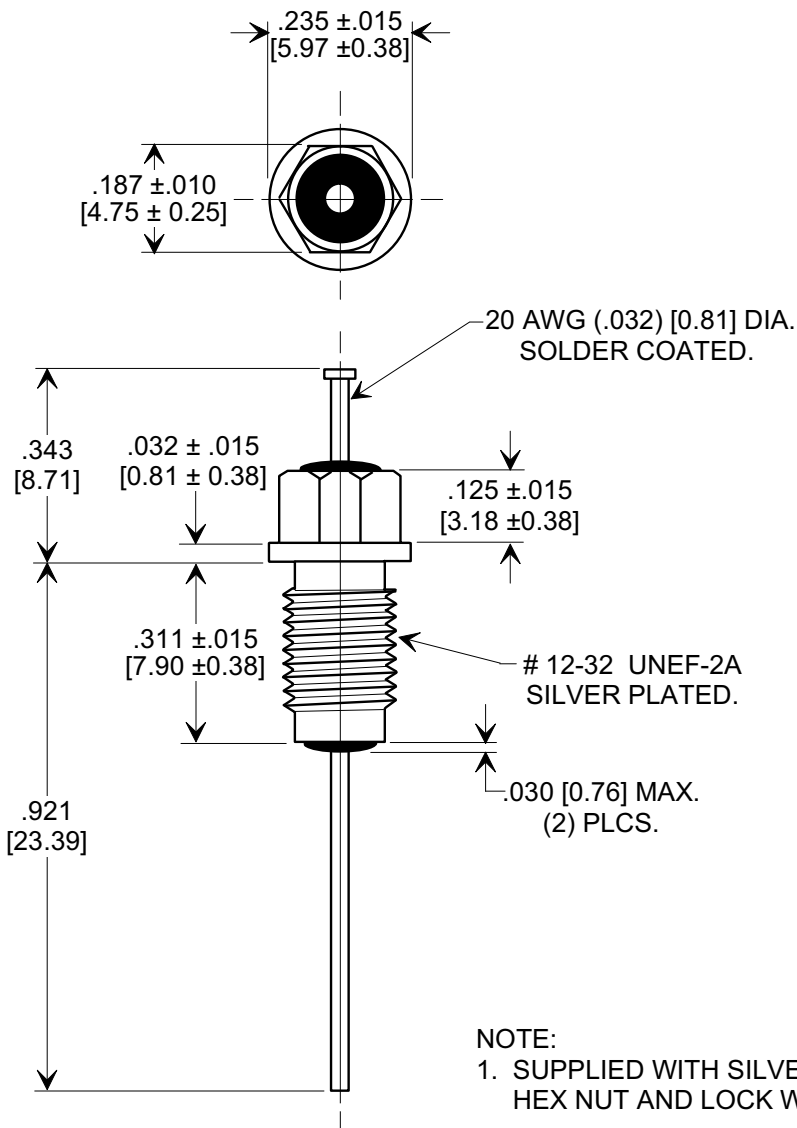
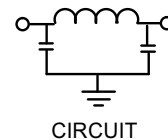


MARKETING SALES DRAWING
DIMENSIONS IN INCHES - DO NOT SCALE THIS DRAWING
DIMENSIONS IN METRIC - []

This drawing is the property of Tusonix, Inc., and may not be used, reproduced, published or disclosed to others without expressed authorization by Tusonix Inc.



Electrical Testing
per Tusonix standard
test plans and Mil-Std-202
Test Methods.



NOTE:
1. SUPPLIED WITH SILVER PLATED
HEX NUT AND LOCK WASHER.

| MIN. CAP. (pF) | WORKING VOLTAGE (WVdc) | CURRENT IDC | MINIMUM NO LOAD INSERTION LOSS (dB) AT 25°C PER MIL-STD -220 | | | |
|----------------|------------------------|-------------|--|---------|-------|--------|
| | 125 °C | | 50 MHz | 100 MHz | 1 GHz | 10 GHz |
| 1500 | 200 | 10 A | 32 | 45 | 70 | 70 |

| | | | | |
|---|-----------------------------------|---|---|--|
| X-2015 Rev-0 REVISION RECORD Original Release C.O. ECO-666 | A | TOLERANCES unless otherwise specified 2 PLC. DECIMAL ± // 3 PLC. DECIMAL ± .031 [0.79] | Title M15733/61-0006 BUSHING STYLE EMI FILTER | |
| | Drawn L.E. 04-15-09 Scale X 3 | | | |
| | TUSONIX TUCSON, ARIZONA | Approved R.L. 04-15-09 | | |
| | A | 4203-501 | | |