



Chipsmall Limited consists of a professional team with an average of over 10 year of expertise in the distribution of electronic components. Based in Hongkong, we have already established firm and mutual-benefit business relationships with customers from,Europe,America and south Asia,supplying obsolete and hard-to-find components to meet their specific needs.

With the principle of “Quality Parts,Customers Priority,Honest Operation,and Considerate Service”,our business mainly focus on the distribution of electronic components. Line cards we deal with include Microchip,ALPS,ROHM,Xilinx,Pulse,ON,Everlight and Freescale. Main products comprise IC,Modules,Potentiometer,IC Socket,Relay,Connector.Our parts cover such applications as commercial,industrial, and automotives areas.

We are looking forward to setting up business relationship with you and hope to provide you with the best service and solution. Let us make a better world for our industry!



## Contact us

Tel: +86-755-8981 8866 Fax: +86-755-8427 6832

Email & Skype: info@chipsmall.com Web: www.chipsmall.com

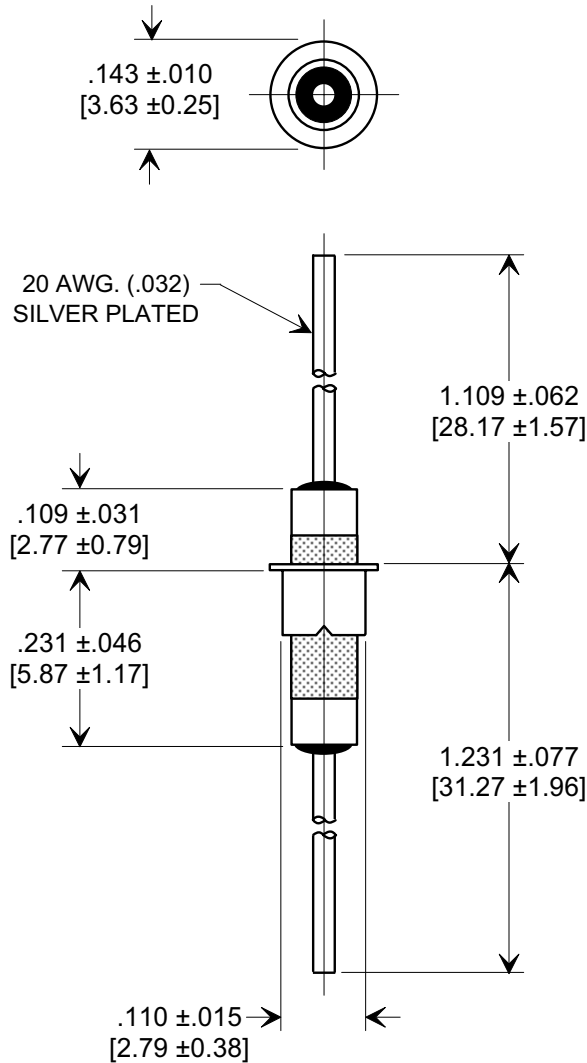
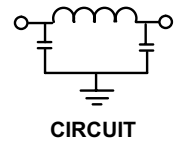
Address: A1208, Overseas Decoration Building, #122 Zhenhua RD., Futian, Shenzhen, China



# MARKETING SALES DRAWING

**DIMENSIONS IN INCHES - DO NOT SCALE THIS DRAWING**  
**DIMENSIONS IN METRIC - [ ]**

Electrical Testing  
 per Tusonix standard  
 test plans and Mil-Std-202  
 Test Methods.



MIN. CAP.(pf)	WORKING VOLTAGE (WVDC)		DC CURRENT	MINIMUM NO LOAD INSERTION LOSS (dB) AT 25°C PER MIL-STD-220			
	85 °C	125 °C		10 MHz	100 MHz	500 MHz	10 GHz
1500	----	200	10 A	5	45	68	70

X-2015 Rev-0 <b>REVISION RECORD</b> Original Release C.O. RDWN TO COMP FMT & REVISED DIMENSIONS. S.M. 08-10-99 <b>19990809-1-01</b>	<b>0</b>	--TOLERANCES-- Unless Otherwise Specified	Title <b>EYELET STYLE EMI FILTER MIL 15733/62-0002</b>	
			DECIMAL ±    NOTED	Drawn    S.M. 08-10-99    Scale 4 X
		ANGLES ±	<b>TUSONIX</b> TUCSON, ARIZONA	Approved    E.F. 08-10-99
			<b>A</b>	<b>4100-500</b>