



Chipsmall Limited consists of a professional team with an average of over 10 year of expertise in the distribution of electronic components. Based in Hongkong, we have already established firm and mutual-benefit business relationships with customers from,Europe,America and south Asia,supplying obsolete and hard-to-find components to meet their specific needs.

With the principle of "Quality Parts,Customers Priority,Honest Operation,and Considerate Service",our business mainly focus on the distribution of electronic components. Line cards we deal with include Microchip,ALPS,ROHM,Xilinx,Pulse,ON,Everlight and Freescale. Main products comprise IC,Modules,Potentiometer,IC Socket,Relay,Connector.Our parts cover such applications as commercial,industrial, and automotives areas.

We are looking forward to setting up business relationship with you and hope to provide you with the best service and solution. Let us make a better world for our industry!



Contact us

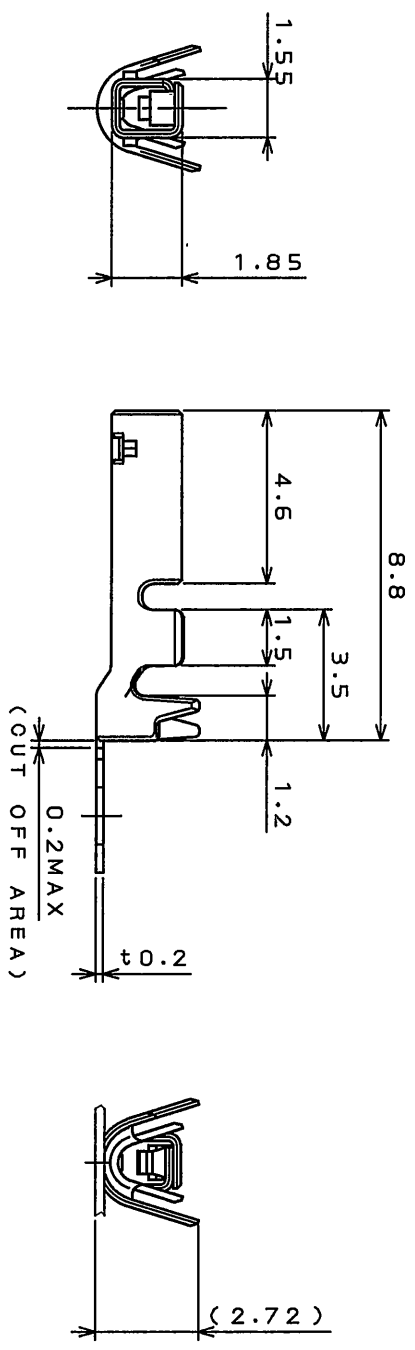
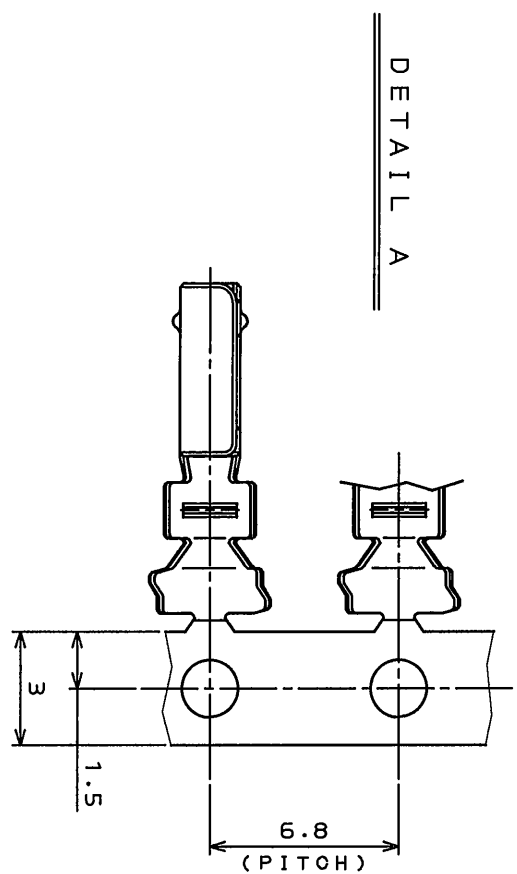
Tel: +86-755-8981 8866 Fax: +86-755-8427 6832

Email & Skype: info@chipsmall.com Web: www.chipsmall.com

Address: A1208, Overseas Decoration Building, #122 Zhenhua RD., Futian, Shenzhen, China

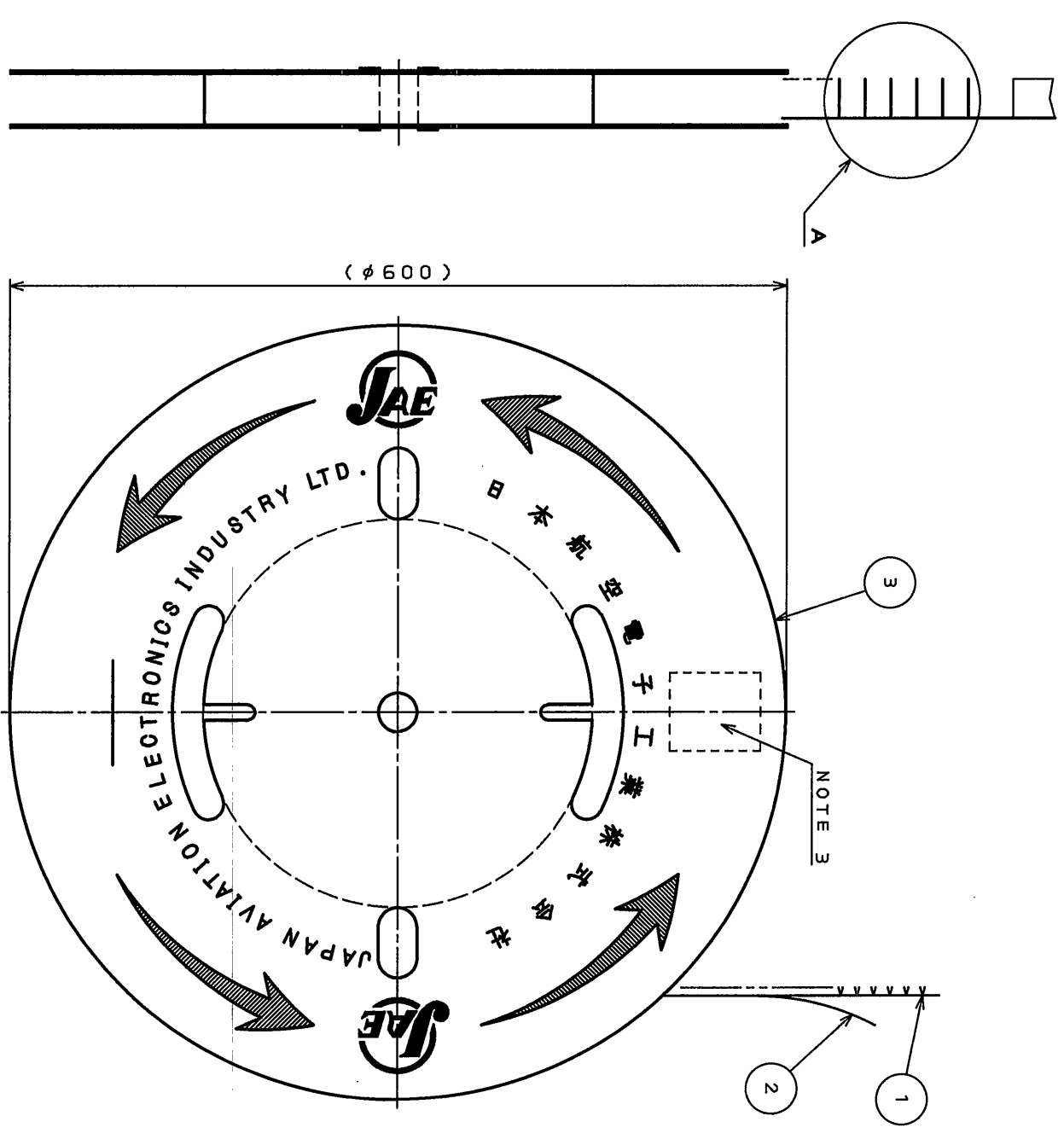


998601NS
('ON 0N1WAWD)号番面図



NOTE1. THE M19S09K3F2 CONTACT IS DESIGNED FOR 20 AWG(7/28) TXL WIRE PER SAE J 1128, INSULATION DIA 1.78+/-0.076MM.
NOTE2. THE SHEARED EDGES ARE NOT PLATED.
NOTE3. PRODUCT NAME AND THE QUANTITY ARE LABELED.

注1. 本コネクタは、TXL#20電線専用設計である。
注2. 剪断面にメッキは付着していない。
注3. 本指定箇所に品名及び数量を表示。



版数 REV.	年月日 DATE	DCN NO.	変更内容 DESCRIPTION	製 図 DR.	担 当 CHK.	査 閲 APPD.	承 認 APPD.

符号 NO.	名 称 DESCRIPTION	個 数 QTY.	材 料 MATERIAL	備 考 REMARKS
1	SOCKET CONTACT	9000	MSP1	TIN PLATED
2	TAPE	1	PAPER	
3	REEL	1	PAPER	

仕様書(SPECIFICATION) JAOS-1594-1	第1版(ORIGINAL DATE) 18.Jun.2009	名称(TITLE) M19S09K3F2	製 図 DR. Y.OBATA	図面番号(DRAWING NO.) SJ109865
公差(GENERAL TOLERANCE) 寸法(DIMENSION)	角度(ANGLES)	製 図 CHK. Y.OBATA		
.X ±0.8	X° ±	査 閲 APPD. 		
.X ±0.4	X° ±	承 認 APPD. 		
.XX ±0.1	.XX ±			
.XXX ±	.XXX ±			

