



Chipsmall Limited consists of a professional team with an average of over 10 year of expertise in the distribution of electronic components. Based in Hongkong, we have already established firm and mutual-benefit business relationships with customers from,Europe,America and south Asia,supplying obsolete and hard-to-find components to meet their specific needs.

With the principle of "Quality Parts,Customers Priority,Honest Operation,and Considerate Service",our business mainly focus on the distribution of electronic components. Line cards we deal with include Microchip,ALPS,ROHM,Xilinx,Pulse,ON,Everlight and Freescale. Main products comprise IC,Modules,Potentiometer,IC Socket,Relay,Connector.Our parts cover such applications as commercial,industrial, and automotives areas.

We are looking forward to setting up business relationship with you and hope to provide you with the best service and solution. Let us make a better world for our industry!



## Contact us

Tel: +86-755-8981 8866 Fax: +86-755-8427 6832

Email & Skype: info@chipsmall.com Web: www.chipsmall.com

Address: A1208, Overseas Decoration Building, #122 Zhenhua RD., Futian, Shenzhen, China

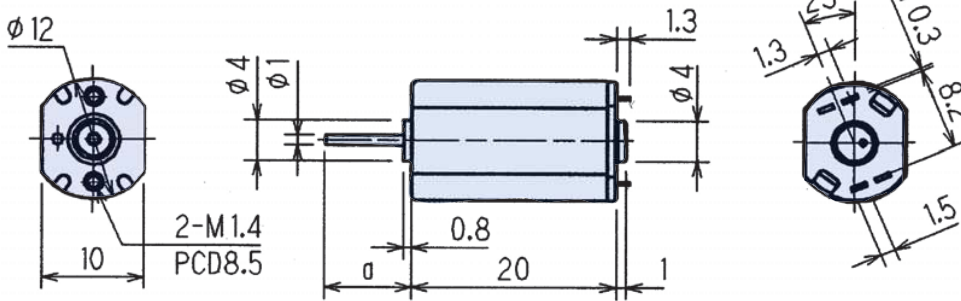


# M1N10



Weight: 17.7 g

## Outline UNIT:mm



## Specifications

Model	Operating Voltage (V)	Rated Voltage (V)	No Load Speed (min <sup>-1</sup> )	No Load Current (mA)	Rated Load		Rated Load Speed (min <sup>-1</sup> )	Rated Load Current (mA)	Starting Torque		Starting Current (mA)	Shaft Length (mm)
					(gf·cm)	(mN·m)			(gf·cm)	(mN·m)		
M1N10FB08G	1 to 6	5.0	8483	20	3.1	0.3	6258	77	11.7	1.1	238	a=8.5
M1N10FB95G	1 to 6	5.0	10277	20	3.1	0.3	8542	90	18.1	1.8	433	a=8.5
M1N10FB09F	1 to 6	5.0	10822	23	3.1	0.3	8714	96	15.7	1.5	399	a=6.5
M1N10FB10G	1 to 6	5.0	13316	36	3.1	0.3	10988	131	17.5	1.7	575	a=8.5
M1N10FB11G	1 to 6	5.0	15906	36	3.1	0.3	13850	145	23.7	2.3	874	a=8.5

## Characteristics

