



Chipsmall Limited consists of a professional team with an average of over 10 year of expertise in the distribution of electronic components. Based in Hongkong, we have already established firm and mutual-benefit business relationships with customers from,Europe,America and south Asia,supplying obsolete and hard-to-find components to meet their specific needs.

With the principle of “Quality Parts,Customers Priority,Honest Operation,and Considerate Service”,our business mainly focus on the distribution of electronic components. Line cards we deal with include Microchip,ALPS,ROHM,Xilinx,Pulse,ON,Everlight and Freescale. Main products comprise IC,Modules,Potentiometer,IC Socket,Relay,Connector.Our parts cover such applications as commercial,industrial, and automotives areas.

We are looking forward to setting up business relationship with you and hope to provide you with the best service and solution. Let us make a better world for our industry!



## Contact us

Tel: +86-755-8981 8866 Fax: +86-755-8427 6832

Email & Skype: info@chipsmall.com Web: www.chipsmall.com

Address: A1208, Overseas Decoration Building, #122 Zhenhua RD., Futian, Shenzhen, China



# Customer Information Sheet

DRAWING No.: M20-611XX45

SHEET 2 OF 2

IF IN DOUBT - ASK

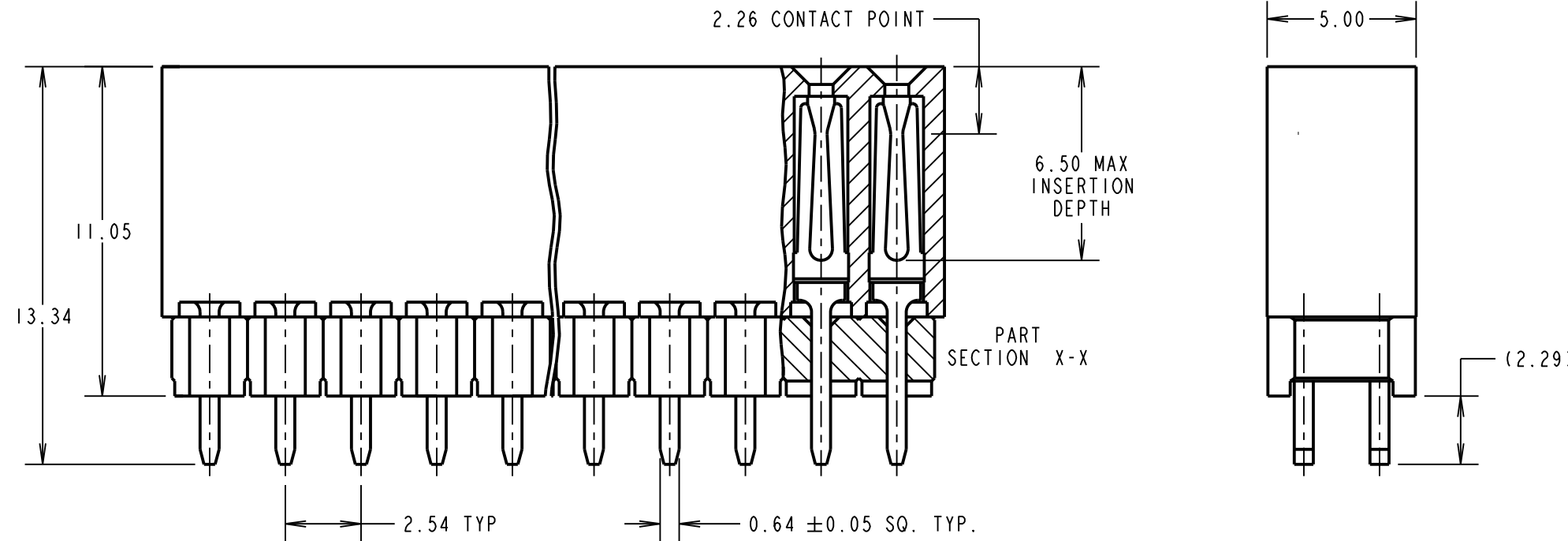
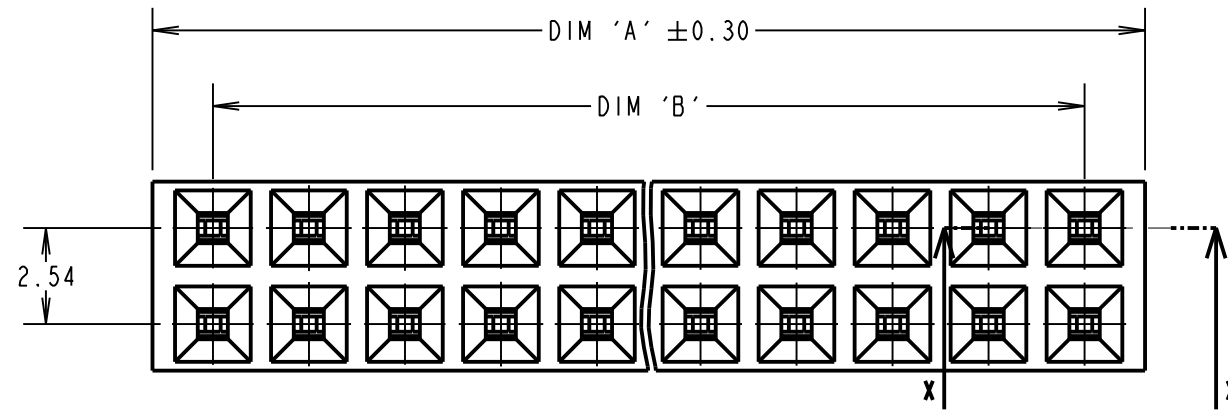
©

NOT TO SCALE

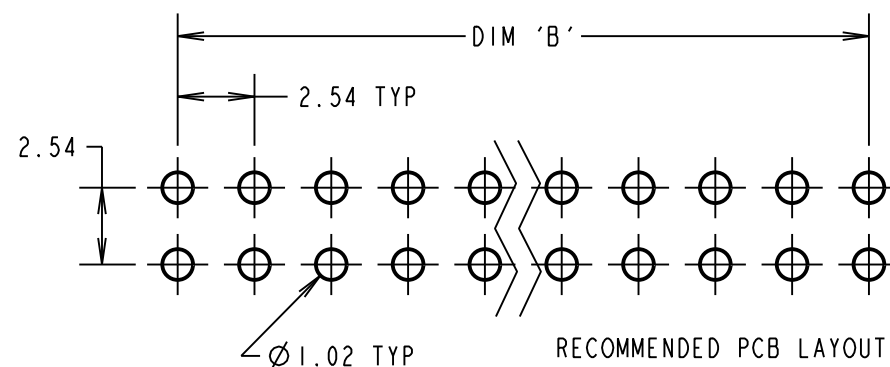
THIRD ANGLE PROJECTION

ALL DIMENSIONS IN mm

**SPECIFICATION:**  
**MATERIAL:**  
 MOULDING = HIGH TEMP NYLON 6T UL94V-0, BLACK  
 CONTACTS = PHOSPHOR BRONZE  
**FINISH:**  
 CONTACTS = 0.08µ GOLD OVER NICKEL  
**ELECTRICAL:**  
 CURRENT RATING = 3A MAX  
 CONTACT RESISTANCE = 30mΩ MAX  
 INSULATION RESISTANCE = 5,000MΩ MIN  
 VOLTAGE PROOF = 1,000V AC FOR 1 MINUTE  
**MECHANICAL:**  
 INSERTION FORCE (PER CONTACT) = 2.0N/MAX  
 WITHDRAWAL FORCE (PER CONTACT) = 0.3N MIN  
**ENVIRONMENTAL:**  
 TEMPERATURE RANGE = -55°C TO +105°C  
**PACKING:**  
 TUBE  
 FOR COMPLETE SPECIFICATIONS, SEE COMPONENT SPECIFICATION C039XX (LATEST ISSUE).



No. OF CONTACTS PER ROW	DIM 'A'	DIM 'B'
20	51.46	48.26
32	81.94	78.74



NOTES:  
 1. ALL TOLERANCES ARE ±0.20 UNLESS OTHERWISE STATED.

ORDER CODE:  
**M20-611XX45**  
 No. OF CONTACTS PER ROW: 20, 32  
 FINISH: 45 = GOLD ALL OVER NICKEL

SB	ISS.	DATE	C/NOTE
10		09.04.14	12441
APPROVED: S.BENNETT			
CHECKED: S.FLOWER			
DRAWN: W.J.BOURNE			
CUSTOMER REF.:			
ASSEMBLY DRG:			

 www.harwin.com technical@harwin.com	THIS DRAWING AND ANY INFORMATION OR DESCRIPTIVE MATTER SET OUT HEREON ARE CONFIDENTIAL AND COPYRIGHT PROPERTY OF THE HARWIN GROUP AND MUST NOT BE DISCLOSED, LOANED, COPIED OR USED FOR MANUFACTURING, TENDERING OR FOR ANY OTHER PURPOSE WITHOUT THEIR WRITTEN PERMISSION.	TOLERANCES X = ±1mm X.X = ±0.25mm X.XX = ±0.10mm X.XXX = ±0.01mm ANGLES = ±5° UNLESS STATED	MATERIAL: SEE ABOVE FINISH: SEE ABOVE S/AREA: mm <sup>2</sup>	TITLE: PCI04 CONNECTOR (NON-STACKTHROUGH) DRAWING NUMBER: <b>M20-611XX45</b>	SHT 2 OF 2