



Chipsmall Limited consists of a professional team with an average of over 10 year of expertise in the distribution of electronic components. Based in Hongkong, we have already established firm and mutual-benefit business relationships with customers from,Europe,America and south Asia,supplying obsolete and hard-to-find components to meet their specific needs.

With the principle of “Quality Parts,Customers Priority,Honest Operation,and Considerate Service”,our business mainly focus on the distribution of electronic components. Line cards we deal with include Microchip,ALPS,ROHM,Xilinx,Pulse,ON,Everlight and Freescale. Main products comprise IC,Modules,Potentiometer,IC Socket,Relay,Connector.Our parts cover such applications as commercial,industrial, and automotives areas.

We are looking forward to setting up business relationship with you and hope to provide you with the best service and solution. Let us make a better world for our industry!



Contact us

Tel: +86-755-8981 8866 Fax: +86-755-8427 6832

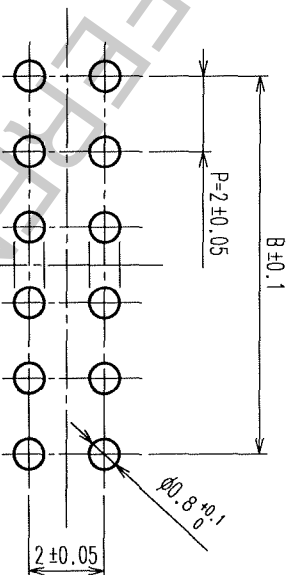
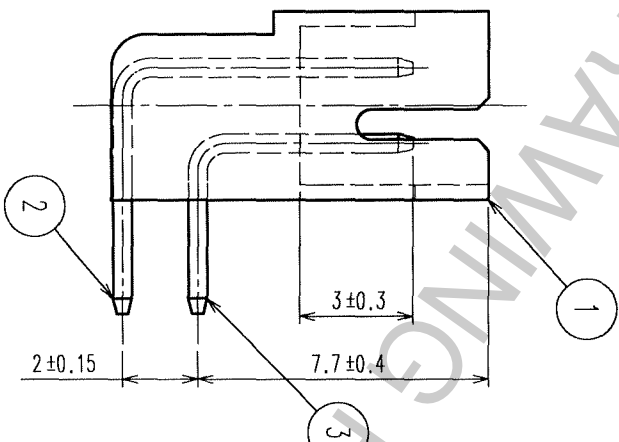
Email & Skype: info@chipsmall.com Web: www.chipsmall.com

Address: A1208, Overseas Decoration Building, #122 Zhenhua RD., Futian, Shenzhen, China

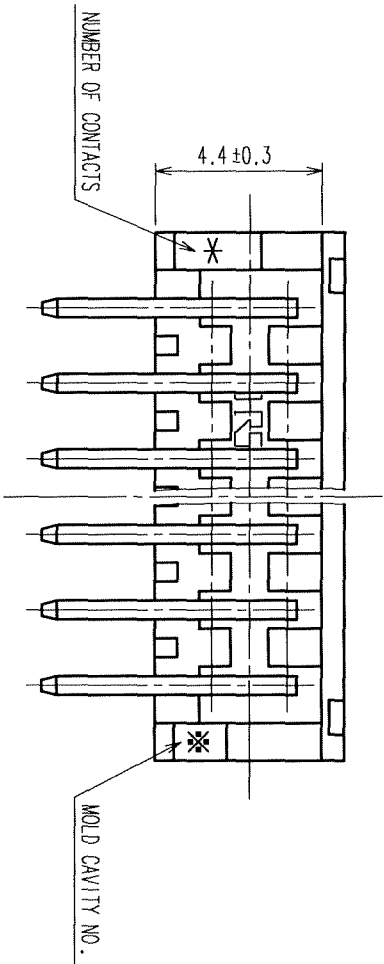
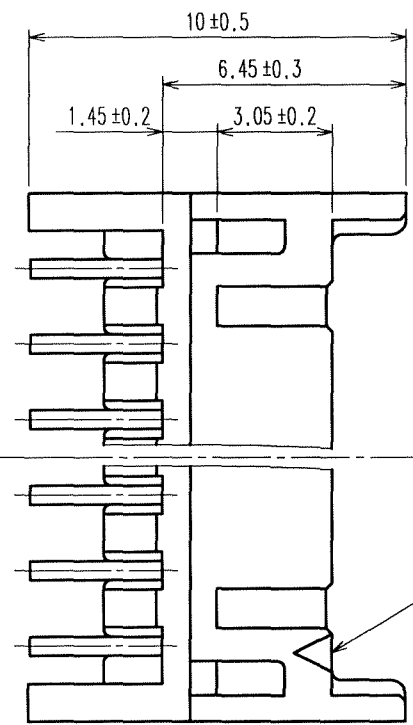
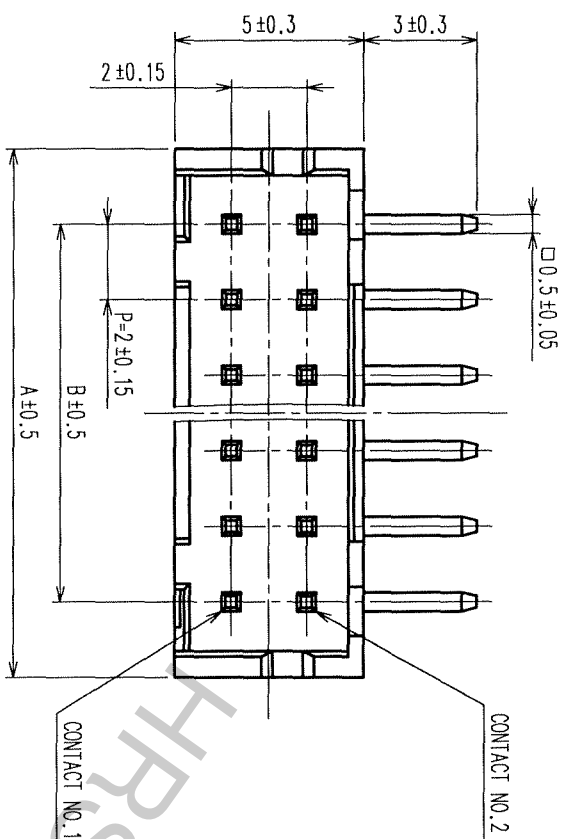


COUNT	DESCRIPTION OF REVISIONS	BY	CHKD	DATE	COUNT	DESCRIPTION OF REVISIONS	BY	CHKD	DATE
2	DIS-H-000979	N.H	H.U	06-05-17					

HRS NO	PART NO	NUMBER OF CONTACT	A	B
CL543-0533-1-52	DF11-4DP-2DS(52)	4	6	2
CL543-0534-4-52	DF11-6DP-2DS(52)	6	8	4
CL543-0535-7-52	DF11-8DP-2DS(52)	8	10	6
CL543-0536-0-52	DF11-10DP-2DS(52)	10	12	8
CL543-0537-2-52	DF11-12DP-2DS(52)	12	14	10
CL543-0538-5-52	DF11-14DP-2DS(52)	14	16	12
CL543-0539-8-52	DF11-16DP-2DS(52)	16	18	14
CL543-0540-7-52	DF11-18DP-2DS(52)	18	20	16
CL543-0541-0-52	DF11-20DP-2DS(52)	20	22	18
CL543-0542-2-52	DF11-22DP-2DS(52)	22	24	20
CL543-0543-5-01	DF11-24DP-2DS(52)	24	26	22
CL543-0544-8-01	DF11-26DP-2DS(52)	26	28	24
CL543-0545-0-01	DF11-28DP-2DS(52)	28	30	26
CL543-0546-3-01	DF11-30DP-2DS(52)	30	32	28
CL543-0547-6-01	DF11-32DP-2DS(52)	32	34	30



RECOMMENDED PATTERN



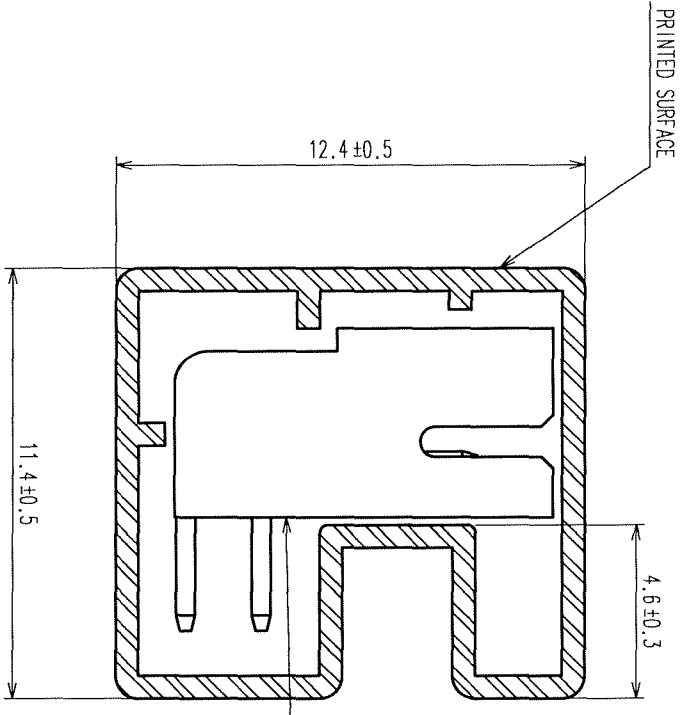
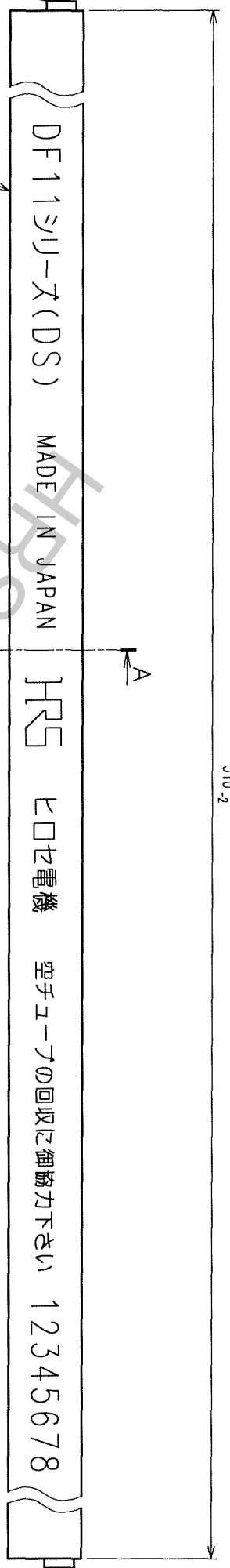
NO.	MATERIAL	FINISH, REMARKS	NO.	MATERIAL	FINISH, REMARKS
2	BRASS	SURFACE:GOLD PLATED 0.2μ m min UNDER PLATING:NICKEL PLATED 1μ m min	4	PS	STOPPER, CLEAR ELECTROSTATIC PROTECTION,CLEAR
1	POLYAMIDE	UL94V-0, BLACK	3	BRASS	SURFACE:GOLD PLATED 0.2μ m min UNDER PLATING:NICKEL PLATED 1μ m min

CODE NO. (OLD)	CL	DRAWN	DESIGNED	CHECKED	APPROVED	RELEASED
		Y. MAGASHIMA	T. Ardi	C. Hironmi	K. Kotoyose	

DRAWING NO.	EDC3-162390-02	PART NO.	DF11-*DP-2DS(52)
SCALE	5 : 1	CODE NO.	CL543
UNITS	MM		

TO	
----	--

COUNT	DESCRIPTION OF REVISIONS	BY	CHKD	DATE	COUNT	DESCRIPTION OF REVISIONS	BY	CHKD	DATE



NOTES1 : NUMBER OF CONNECTORS PER A TUBE SHALL BE IN ACCORDANCE WITH THE LIST BELOW.
 2 : THESE CONNECTORS SHALL BE ON SALED IN ACCORDANCE WITH THE MULTIPLE QUANTITY ON THE LIST.

CODE No.	PART No.	NUMBER OF CONNECTORS
543-0533-1-52	DF11-4DP-2DS (52)	81
543-0534-4-52	DF11-6DP-2DS (52)	61
543-0535-7-52	DF11-8DP-2DS (52)	48
543-0536-0-52	DF11-10DP-2DS (52)	40
543-0537-2-52	DF11-12DP-2DS (52)	34
543-0538-5-52	DF11-14DP-2DS (52)	30
543-0539-8-52	DF11-16DP-2DS (52)	27
543-0540-7-52	DF11-18DP-2DS (52)	24
543-0541-0-52	DF11-20DP-2DS (52)	22
543-0542-2-52	DF11-22DP-2DS (52)	20
543-0543-5-52	DF11-24DP-2DS (52)	18
543-0544-8-52	DF11-26DP-2DS (52)	17
543-0545-0-52	DF11-28DP-2DS (52)	16
543-0546-3-52	DF11-30DP-2DS (52)	15
543-0547-6-52	DF11-32DP-2DS (52)	14

CODE NO. (OLD) CL		DRAWN Y. MAGASHIMA		DESIGNED T. Arai		CHECKED C. Honomi		APPROVED K. Katoyose		RELEASED
SCALE FR:EE UNITS MM		DRAWING NO. EDC3-162390-02		PART NO. DF11-*DP-2DS(52)		CODE NO. CL543				2
HRS HIROSE ELECTRIC CO., LTD.										

TO