



Chipsmall Limited consists of a professional team with an average of over 10 year of expertise in the distribution of electronic components. Based in Hongkong, we have already established firm and mutual-benefit business relationships with customers from,Europe,America and south Asia,supplying obsolete and hard-to-find components to meet their specific needs.

With the principle of "Quality Parts,Customers Priority,Honest Operation,and Considerate Service",our business mainly focus on the distribution of electronic components. Line cards we deal with include Microchip,ALPS,ROHM,Xilinx,Pulse,ON,Everlight and Freescale. Main products comprise IC,Modules,Potentiometer,IC Socket,Relay,Connector.Our parts cover such applications as commercial,industrial, and automotives areas.

We are looking forward to setting up business relationship with you and hope to provide you with the best service and solution. Let us make a better world for our industry!



## Contact us

Tel: +86-755-8981 8866 Fax: +86-755-8427 6832

Email & Skype: info@chipsmall.com Web: www.chipsmall.com

Address: A1208, Overseas Decoration Building, #122 Zhenhua RD., Futian, Shenzhen, China



# Customer Information Sheet

DRAWING No.: M20-781XX45X

SHEET 3 OF 4

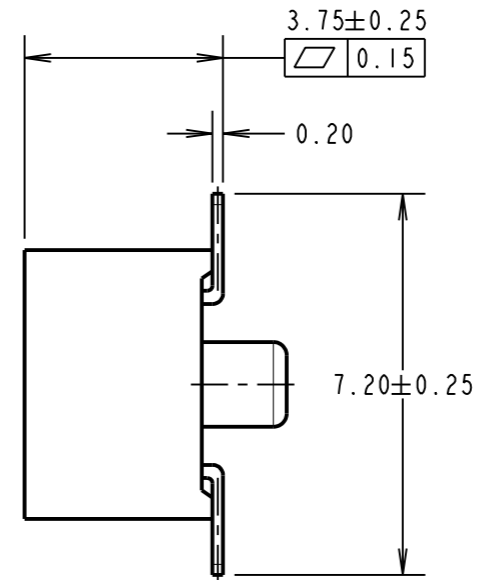
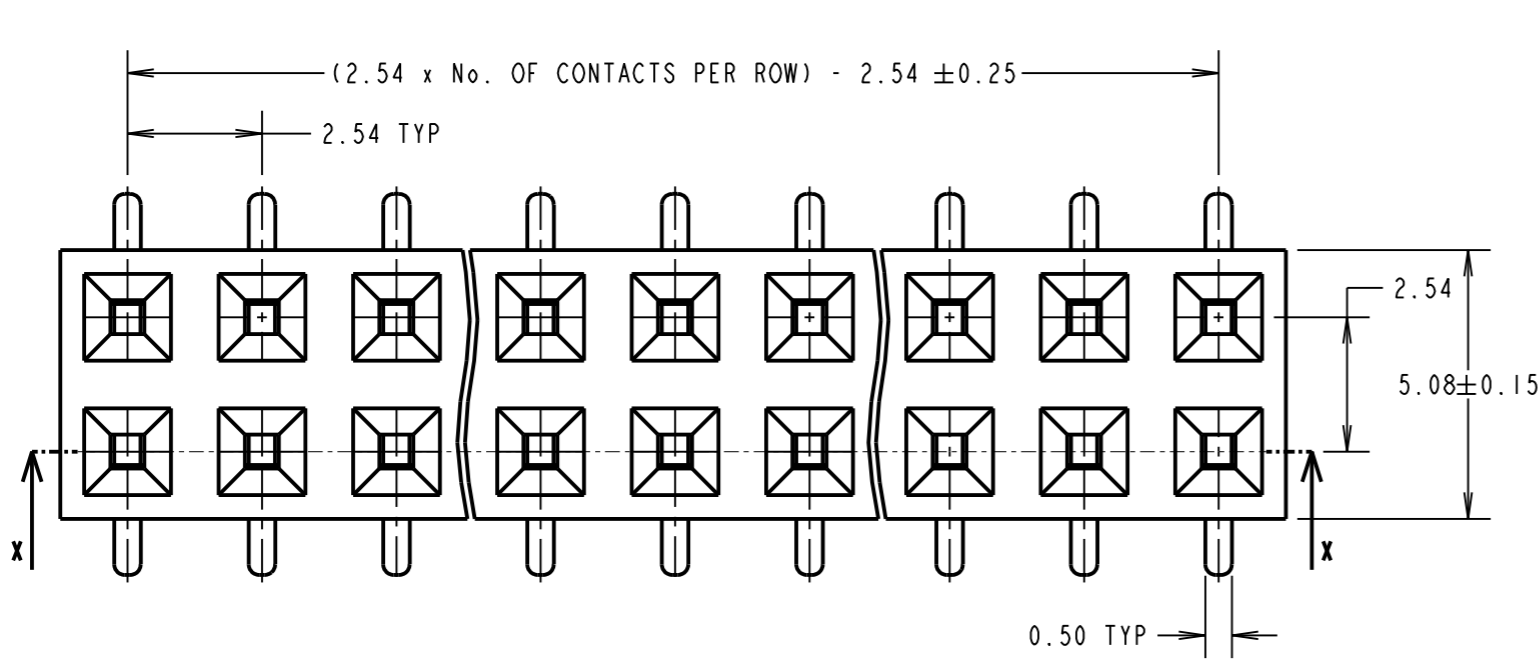
IF IN DOUBT - ASK

©

NOT TO SCALE

THIRD ANGLE PROJECTION

ALL DIMENSIONS IN mm



**SPECIFICATIONS:**

**MATERIAL:**  
 MOULD = GLASS FILLED PA9T, UL94V-0  
 CONTACTS = PHOSPHOR BRONZE

**FINISH:**  
 0.015µ MIN GOLD OVER 0.76-2.03µ NICKEL

**ELECTRICAL:**  
 CURRENT RATING = 3A  
 CONTACT RESISTANCE = 20mΩ MAX  
 INSULATION RESISTANCE = 1000MΩ MIN  
 VOLTAGE PROOF = 1000V AC FOR ONE MINUTE

**MECHANICAL:**  
 INSERTION FORCE = 1.96N MAX PER CONTACT  
 WITHDRAWAL FORCE = 0.29N MIN PER CONTACT  
 DURABILITY = 300 CYCLES MIN

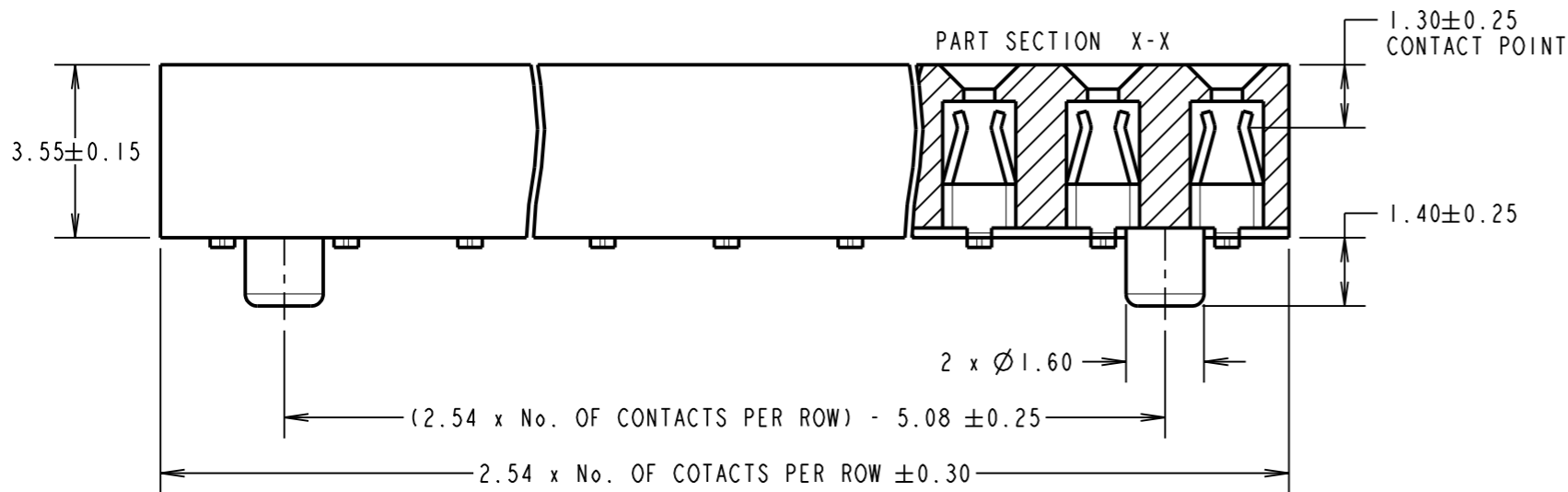
**ENVIRONMENTAL:**  
 OPERATING TEMPERATURE = -40°C TO +105°C

ORDER CODE:

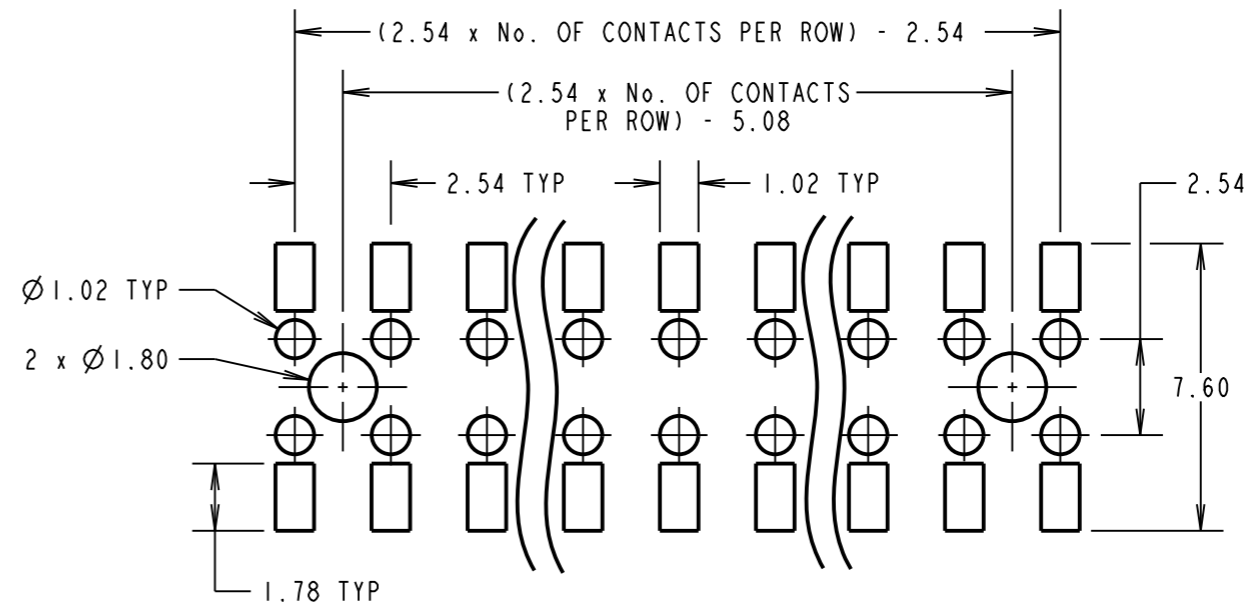
**M20-781XX45X**

No. OF CONTACTS PER ROW: \_\_\_\_\_  
 02-10, 12, 15 & 20

PACKING: \_\_\_\_\_  
 BLANK = TUBE  
 R = TAPE AND REEL (SHEET 4)

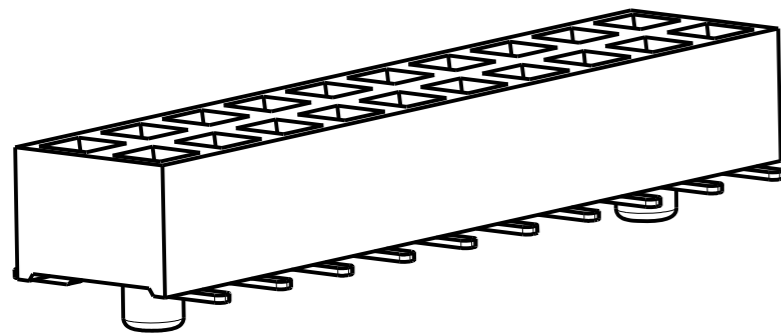


**RECOMMENDED PCB LAYOUT**  
 (TOLERANCE = ±0.05)



**NOTES:**

- CONTACT LEG VARIATION ON COMPLETE ASSEMBLY NOT TO EXCEED 0.10mm.
- FOR TAPE AND REEL DETAILS, SEE SHEET 4.



MSP	1	06.05.16	-----
NAME	ISS.	DATE	C/NOTE
APPROVED: M.PERREN			
CHECKED: S.BENNETT			
DRAWN: M.PERREN			
CUSTOMER REF.:			
ASSEMBLY DRG:			

**HARWIN**

www.harwin.com  
 technical@harwin.com

THIS DRAWING AND ANY INFORMATION OR DESCRIPTIVE MATTER SET OUT HEREON ARE CONFIDENTIAL AND COPYRIGHT PROPERTY OF THE HARWIN GROUP AND MUST NOT BE DISCLOSED, LOANED, COPIED OR USED FOR MANUFACTURING, TENDERING OR FOR ANY OTHER PURPOSE WITHOUT THEIR WRITTEN PERMISSION.

**TOLERANCES**  
 X. = ±1mm  
 X.X = ±0.50mm  
 X.XX = ±0.10mm  
 X.XXX = ±0.01mm  
 ANGLES = ±5°  
 UNLESS STATED

**MATERIAL:**  
 SEE ABOVE  
**FINISH:** SEE ABOVE  
**S/AREA:** mm<sup>2</sup>

**TITLE:**  
 2.54mm PITCH DIL LOW PROFILE SMT SOCKET WITH PEGS

**DRAWING NUMBER:**  
**M20-781XX45X**

SHT 3 OF 4

# Customer Information Sheet

DRAWING No.: M20-781XX45X

SHEET 4 OF 4

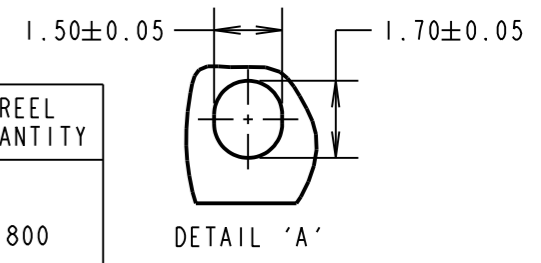
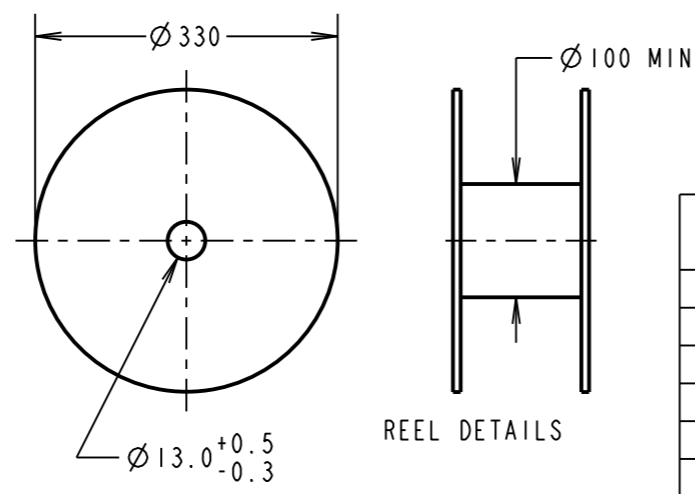
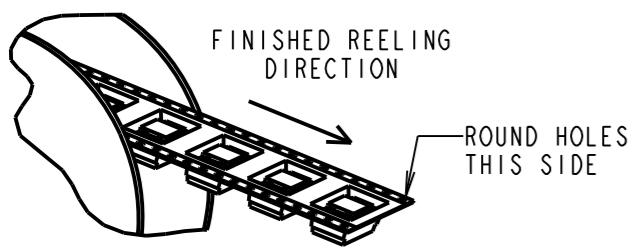
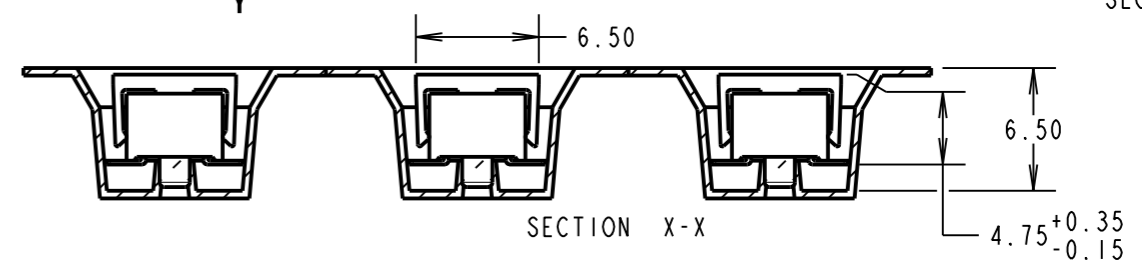
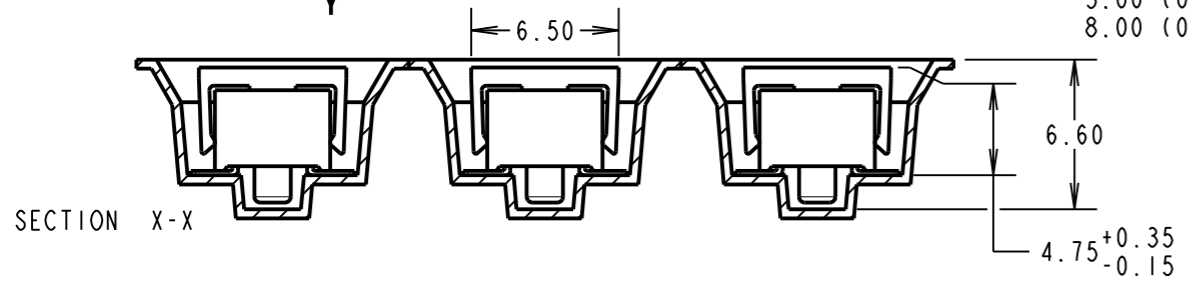
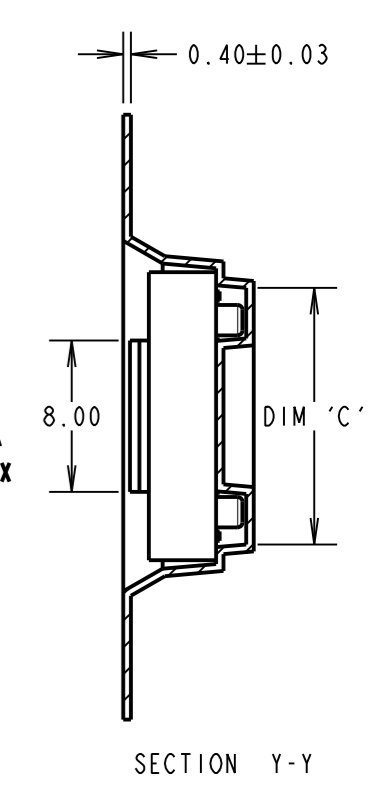
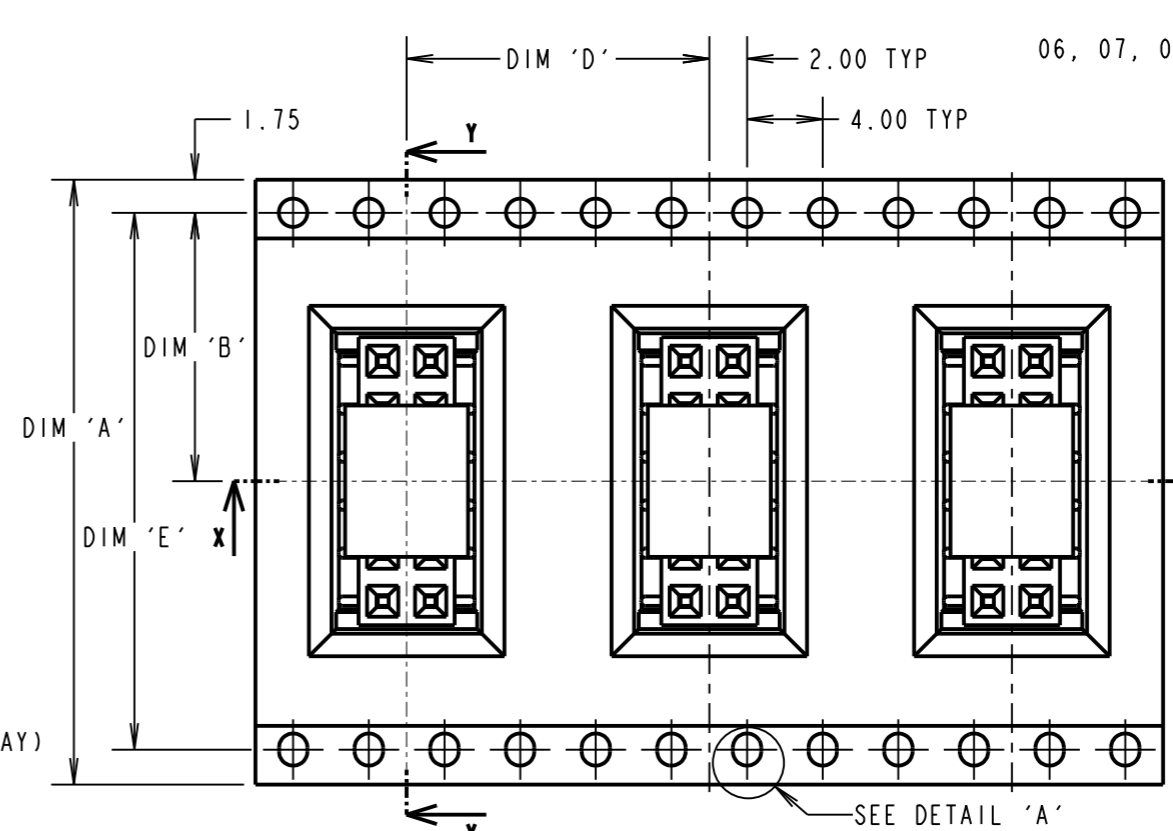
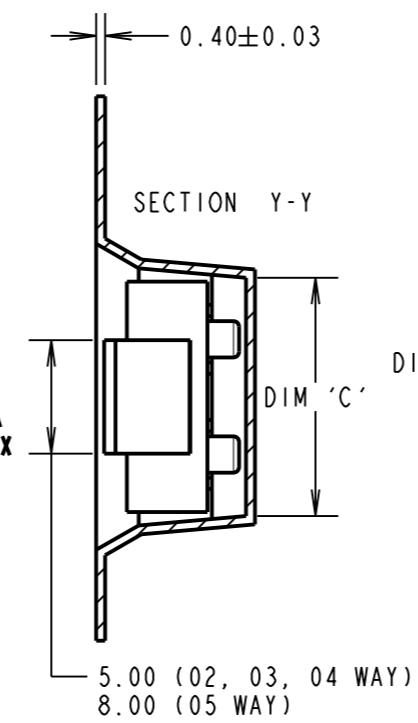
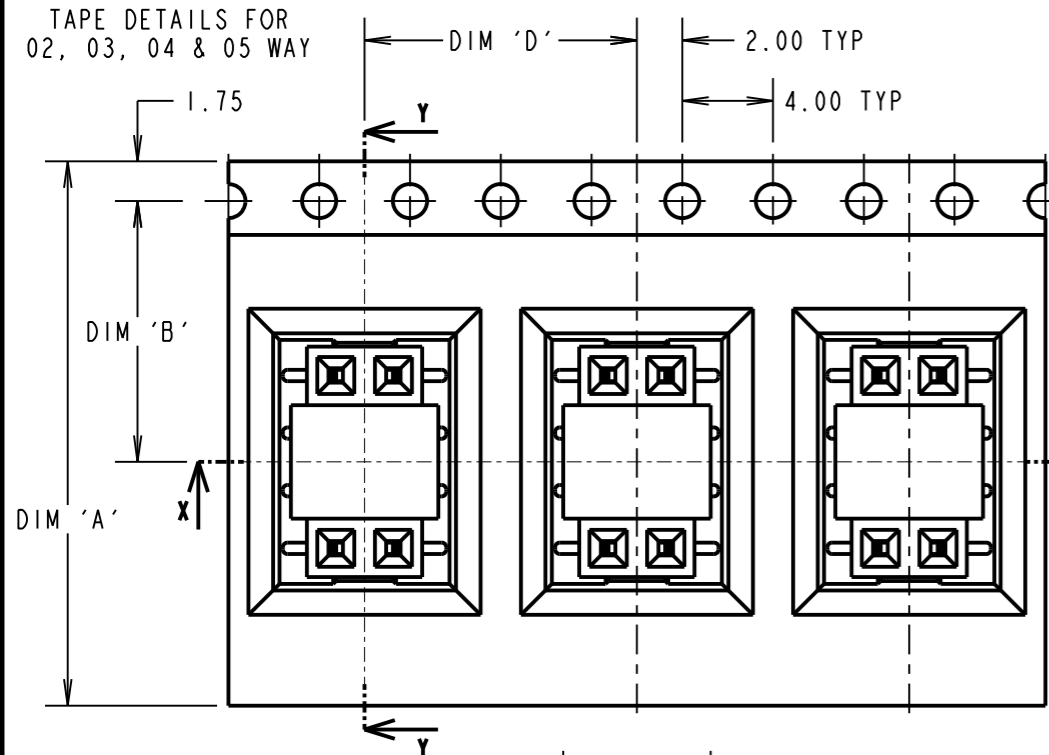
IF IN DOUBT - ASK

Ⓢ

NOT TO SCALE

THIRD ANGLE PROJECTION

ALL DIMENSIONS IN mm



ORDER CODE: **M20-781XX45X**

No. OF CONTACTS PER ROW: \_\_\_\_\_  
02-10, 12, 15 & 20

PACKING: \_\_\_\_\_  
BLANK = TUBE (SHEET 3)  
R = TAPE AND REEL

PART No.	DIMENSION					REEL QUANTITY
	DIM 'A'	DIM 'B'	DIM 'C'	DIM 'D'	DIM 'E'	
M20-7810245R	16.00±0.30	7.50±0.15	5.40	12.00	N/A	800
M20-7810345R			8.00			
M20-7810445R	24.00±0.30	11.50	10.50			
M20-7810545R			13.00			
M20-7810645R	32.00±0.30	14.20±0.15	15.65	16.00	28.50	600
M20-7810745R			18.08			
M20-7810845R			20.60	12.00	40.40	
M20-7810945R	44.00±0.30	20.20±0.15	23.35			
M20-7811045R			25.80	16.00	52.40	
M20-7811245R	56.00±0.30	26.20±0.15	30.90			
M20-7811545R			38.50	12.00		
M20-7812045R	72.00±0.30	34.20±0.15	51.20	16.00	68.40	

- NOTES:
- PRODUCT IS TAPE AND REELED IN GENERAL ACCORDANCE WITH EIA-481 (ELECTRICAL INDUSTRIES ASSOCIATION).
  - CONTACT LEG VARIATION ON COMPLETE ASSEMBLY NOT TO EXCEED 0.10mm.
  - FOR CONNECTOR DETAILS AND SPECIFICATIONS, SEE SHEET 3.

**HARWIN**

www.harwin.com  
technical@harwin.com

THIS DRAWING AND ANY INFORMATION OR DESCRIPTIVE MATTER SET OUT HEREON ARE CONFIDENTIAL AND COPYRIGHT PROPERTY OF THE HARWIN GROUP AND MUST NOT BE DISCLOSED, LOANED, COPIED OR USED FOR MANUFACTURING, TENDERING OR FOR ANY OTHER PURPOSE WITHOUT THEIR WRITTEN PERMISSION.

TOLERANCES  
X. = ±1mm  
X.X = ±0.50mm  
X.XX = ±0.10mm  
X.XXX = ±0.01mm  
ANGLES = ±5°  
UNLESS STATED

MATERIAL: SEE ABOVE  
FINISH: SEE ABOVE  
S/AREA: mm<sup>2</sup>

TITLE: 2.54mm PITCH DIL LOW PROFILE SMT SOCKET WITH PEGS  
DRAWING NUMBER: **M20-781XX45X**  
ASSEMBLY DRG: \_\_\_\_\_

SHT 4 OF 4

MSP	1	06.05.16	-----
NAME	ISS.	DATE	C/NOTE
APPROVED:		M.PERREN	
CHECKED:		S.BENNETT	
DRAWN:		M.PERREN	
CUSTOMER REF.:			
ASSEMBLY DRG:			