



Chipsmall Limited consists of a professional team with an average of over 10 year of expertise in the distribution of electronic components. Based in Hongkong, we have already established firm and mutual-benefit business relationships with customers from,Europe,America and south Asia,supplying obsolete and hard-to-find components to meet their specific needs.

With the principle of “Quality Parts,Customers Priority,Honest Operation,and Considerate Service”,our business mainly focus on the distribution of electronic components. Line cards we deal with include Microchip,ALPS,ROHM,Xilinx,Pulse,ON,Everlight and Freescale. Main products comprise IC,Modules,Potentiometer,IC Socket,Relay,Connector.Our parts cover such applications as commercial,industrial, and automotives areas.

We are looking forward to setting up business relationship with you and hope to provide you with the best service and solution. Let us make a better world for our industry!



Contact us

Tel: +86-755-8981 8866 Fax: +86-755-8427 6832

Email & Skype: info@chipsmall.com Web: www.chipsmall.com

Address: A1208, Overseas Decoration Building, #122 Zhenhua RD., Futian, Shenzhen, China



Customer Information Sheet

DRAWING No.: M20-783XXX

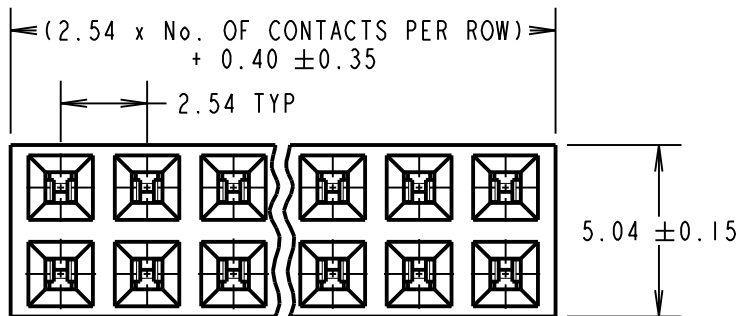
IF IN DOUBT - ASK



NOT TO SCALE

THIRD ANGLE PROJECTION

ALL DIMENSIONS IN mm



ORDER CODE:

M20-783XXX

No. OF CONTACTS PER ROW: _____
02 TO 40

FINISH: _____

42 = SELECTIVE GOLD + 100% TIN
46 = 100% TIN

SPECIFICATION:

MATERIAL:

MOULDING = PA6T UL94V-0, BLACK
CONTACTS = PHOSPHOR BRONZE

FINISH:

42 = GOLD FLASH ON CONTACT AREA,
100% TIN ON TAILS.

46 = 100% TIN

ELECTRICAL:

CURRENT RATING = 3A

VOLTAGE PROOF = 1000V AC

CONTACT RESISTANCE = 20mΩ MAX

INSULATION RESISTANCE = 1,000MΩ MIN

ENVIRONMENTAL:

TEMPERATURE RANGE = -40° TO +105°

MECHANICAL:

INSERTION FORCE = 1.96N MAX

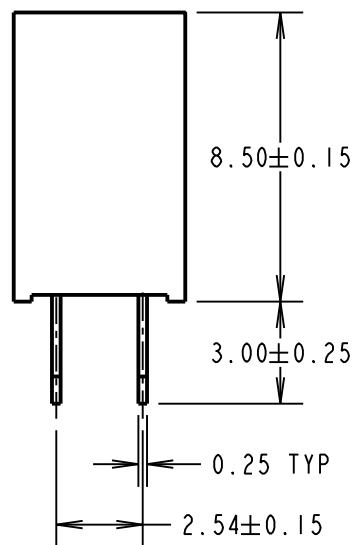
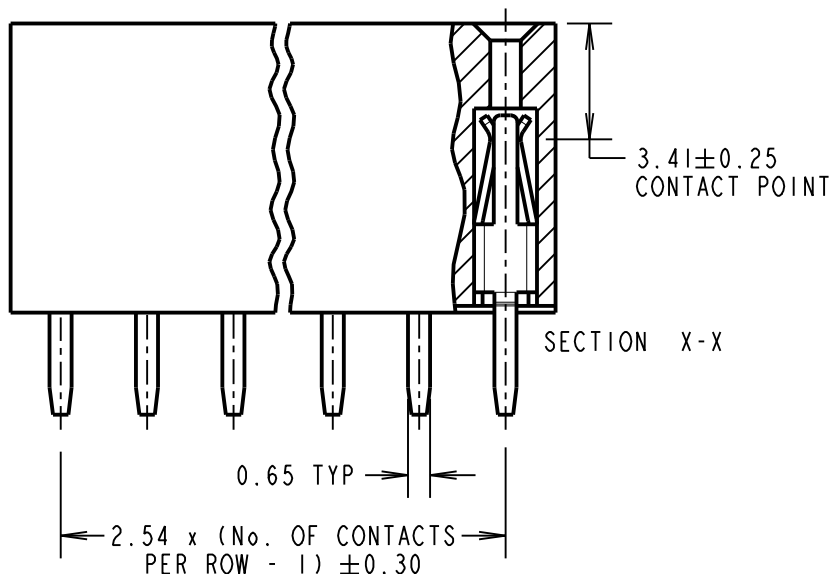
WITHDRAWAL FORCE = 0.29N MIN

DURABILITY = 300 OPERATIONS

PACKING:

TUBE

FOR COMPLETE SPECIFICATION SEE COMPONENT SPECIFICATION C001XX (LATEST ISSUE).



NOTES:

1. RECOMMENDED PCB HOLE SIZE = \varnothing 1.00mm

| | | | |
|----------------|------|-----------|--------|
| SB | 12 | 29.10.12 | 11735 |
| NAME | ISS. | DATE | C/NOTE |
| APPROVED: | | S.BENNETT | |
| CHECKED: | | S.FLOWER | |
| DRAWN: | | J.EVANS | |
| CUSTOMER REF.: | | | |
| ASSEMBLY DRG: | | | |

HARWIN

www.harwin.com
technical@harwin.com

THIS DRAWING AND ANY INFORMATION OR DESCRIPTIVE MATTER SET OUT HEREON ARE CONFIDENTIAL AND COPYRIGHT PROPERTY OF THE HARWIN GROUP AND MUST NOT BE DISCLOSED, LOANED, COPIED OR USED FOR MANUFACTURING, TENDERING OR FOR ANY OTHER PURPOSE WITHOUT THEIR WRITTEN PERMISSION.

TOLERANCES

X. = ±1mm
X.X = ±0.25mm
X.XX = ±0.10mm
X.XXX = ±0.01mm
ANGLES = ±5°
UNLESS STATED

MATERIAL:

SEE ABOVE

FINISH: SEE ABOVE

S/AREA: mm²

TITLE:

2.54mm PITCH DIL VERTICAL PC TAIL SOCKET ASSEMBLY

DRAWING NUMBER:

M20-783XXX

SHT
2 OF 2