



Chipsmall Limited consists of a professional team with an average of over 10 year of expertise in the distribution of electronic components. Based in Hongkong, we have already established firm and mutual-benefit business relationships with customers from,Europe,America and south Asia,supplying obsolete and hard-to-find components to meet their specific needs.

With the principle of “Quality Parts,Customers Priority,Honest Operation,and Considerate Service”,our business mainly focus on the distribution of electronic components. Line cards we deal with include Microchip,ALPS,ROHM,Xilinx,Pulse,ON,Everlight and Freescale. Main products comprise IC,Modules,Potentiometer,IC Socket,Relay,Connector.Our parts cover such applications as commercial,industrial, and automotives areas.

We are looking forward to setting up business relationship with you and hope to provide you with the best service and solution. Let us make a better world for our industry!



## Contact us

Tel: +86-755-8981 8866 Fax: +86-755-8427 6832

Email & Skype: info@chipsmall.com Web: www.chipsmall.com

Address: A1208, Overseas Decoration Building, #122 Zhenhua RD., Futian, Shenzhen, China



# Customer Information Sheet

DRAWING No.: M20-789XXX

SHEET 2 OF 2

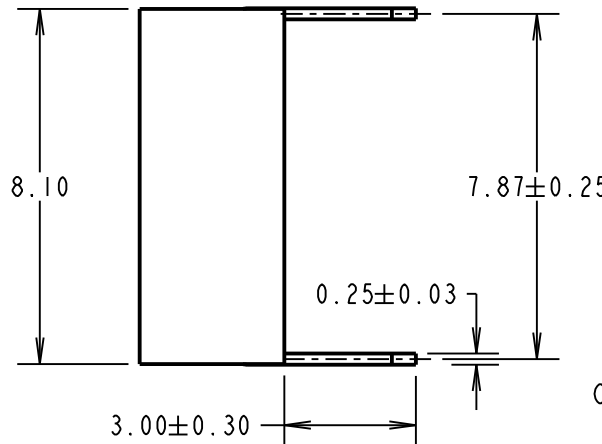
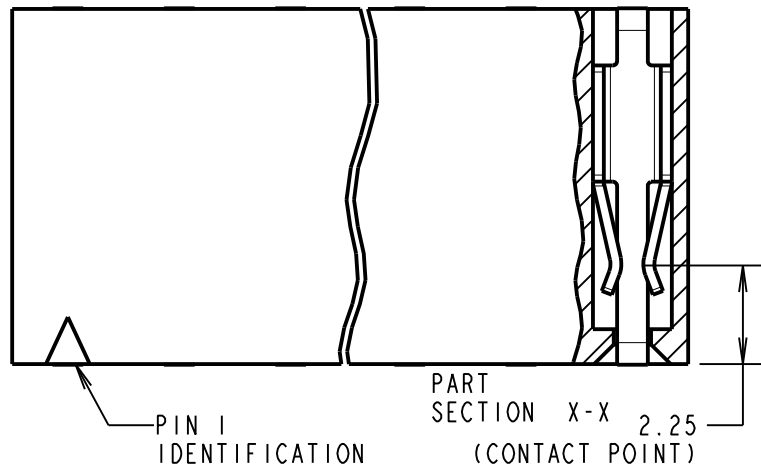
IF IN DOUBT - ASK

©

NOT TO SCALE

THIRD ANGLE PROJECTION

ALL DIMENSIONS IN mm

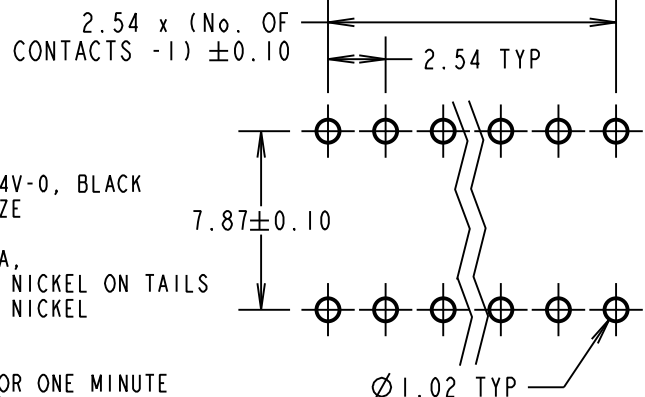
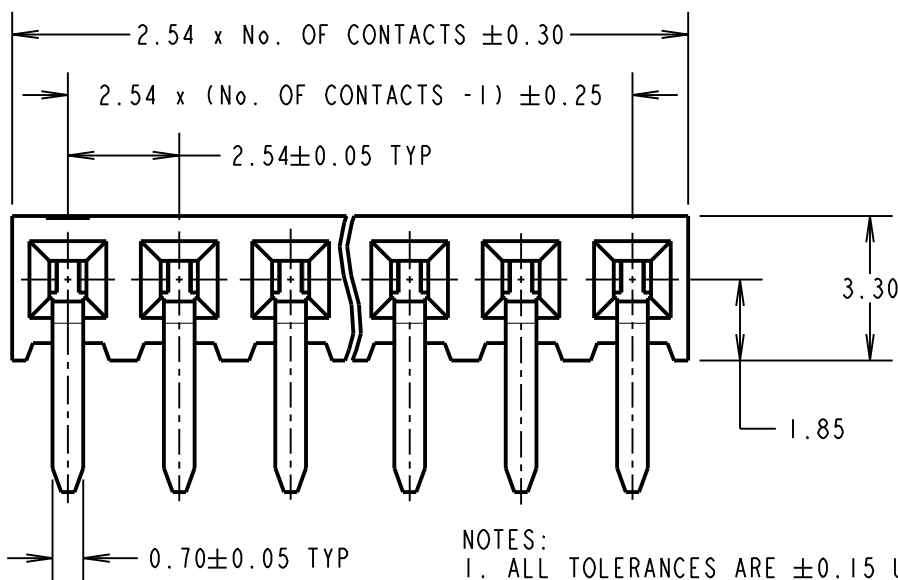


ORDER CODE: **M20-789XXX**

No. OF CONTACTS: \_\_\_\_\_  
02 TO 40

FINISH: \_\_\_\_\_  
42 - SELECTIVE GOLD + 100% TIN  
46 - 100% TIN

RECOMMENDED PCB LAYOUT TOLERANCE = ±0.05



SPECIFICATION:

MATERIAL:  
MOULDING = NYLON 6T, UL94V-0, BLACK  
CONTACTS = PHOSPHOR BRONZE  
FINISH (OVER NICKEL):  
42 = GOLD ON CONTACT AREA,  
2.54µ 100% TIN OVER NICKEL ON TAILS  
46 = 2.54µ 100% TIN OVER NICKEL

ELECTRICAL:  
CURRENT RATING = 3A  
VOLTAGE PROOF = 500V AC FOR ONE MINUTE  
CONTACT RESISTANCE = 20mΩ MAX  
INSULATION RESISTANCE = 1,000MΩ MIN.

MECHANICAL:  
DURABILITY:  
GOLD = 300 CYCLES MIN  
TIN = 50 CYCLES MIN  
INSERTION FORCE = 2.0N MAX PER PIN  
WITHDRAWAL FORCE = 0.5N MIN PER PIN

ENVIRONMENTAL:  
TEMPERATURE RANGE = -40° TO +105°

PACKING:  
TUBE.

FOR COMPLETE SPECIFICATION SEE COMPONENT SPECIFICATION COOIXX (LATEST ISSUE)

NOTES:  
1. ALL TOLERANCES ARE ±0.15 UNLESS OTHERWISE STATED.

MSP	13	17.01.17	13421
NAME	ISS.	DATE	C/NOTE
APPROVED:		M. PERREN	
CHECKED:		S. BENNETT	
DRAWN:		J. EVANS	
CUSTOMER REF.:			
ASSEMBLY DRG:			

## HARWIN

www.harwin.com  
technical@harwin.com

THIS DRAWING AND ANY INFORMATION OR DESCRIPTIVE MATTER SET OUT HEREON ARE CONFIDENTIAL AND COPYRIGHT PROPERTY OF THE HARWIN GROUP AND MUST NOT BE DISCLOSED, LOANED, COPIED OR USED FOR MANUFACTURING, TENDERING OR FOR ANY OTHER PURPOSE WITHOUT THEIR WRITTEN PERMISSION.

TOLERANCES  
X = ±1mm  
X.X = ±0.50mm  
X.XX = ±0.10mm  
X.XXX = ±0.01mm  
ANGLES = ±5°  
UNLESS STATED

MATERIAL: SEE ABOVE

FINISH: SEE ABOVE

S/AREA: mm<sup>2</sup>

TITLE:  
2.54mm PITCH SIL PC TAIL HORIZONTAL SOCKET ASSEMBLY

DRAWING NUMBER:  
**M20-789XXX**

SHT 2 OF 2