



Chipsmall Limited consists of a professional team with an average of over 10 year of expertise in the distribution of electronic components. Based in Hongkong, we have already established firm and mutual-benefit business relationships with customers from,Europe,America and south Asia,supplying obsolete and hard-to-find components to meet their specific needs.

With the principle of “Quality Parts,Customers Priority,Honest Operation,and Considerate Service”,our business mainly focus on the distribution of electronic components. Line cards we deal with include Microchip,ALPS,ROHM,Xilinx,Pulse,ON,Everlight and Freescale. Main products comprise IC,Modules,Potentiometer,IC Socket,Relay,Connector.Our parts cover such applications as commercial,industrial, and automotives areas.

We are looking forward to setting up business relationship with you and hope to provide you with the best service and solution. Let us make a better world for our industry!



## Contact us

Tel: +86-755-8981 8866 Fax: +86-755-8427 6832

Email & Skype: info@chipsmall.com Web: www.chipsmall.com

Address: A1208, Overseas Decoration Building, #122 Zhenhua RD., Futian, Shenzhen, China



# Customer Information Sheet

DRAWING No.: M20-875XX42X

SHEET 3 OF 4

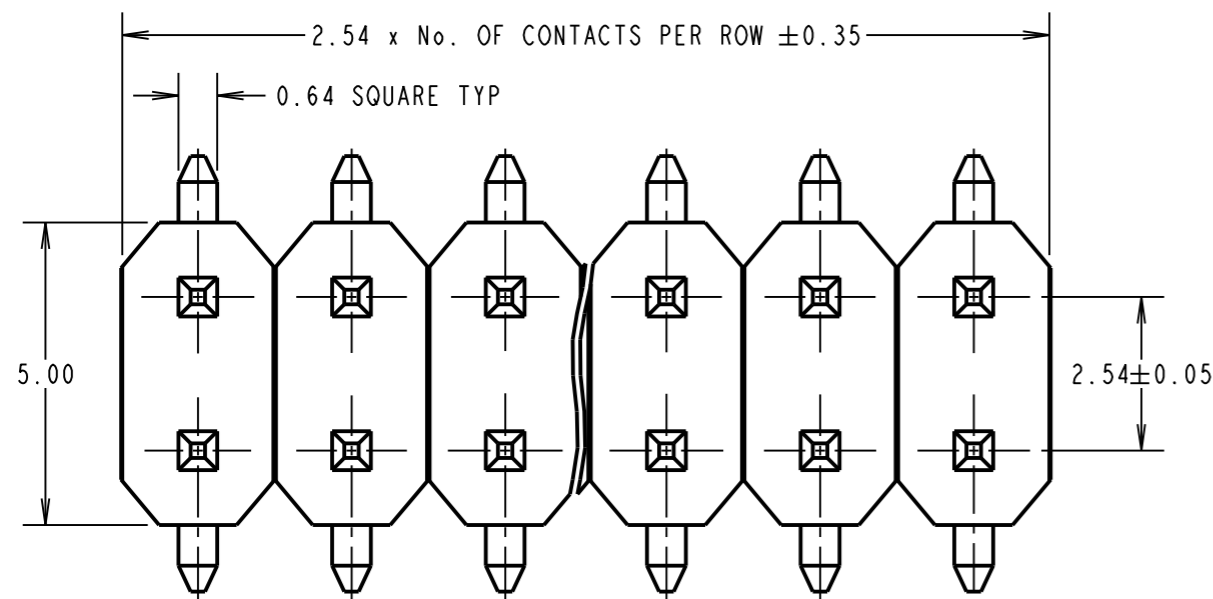
IF IN DOUBT - ASK

©

NOT TO SCALE

THIRD ANGLE PROJECTION

ALL DIMENSIONS IN mm



ORDER CODE:

**M20-875XX42X**

No. OF CONTACTS PER ROW: \_\_\_\_\_  
02-08, 10

PACKING: \_\_\_\_\_  
BLANK = TUBE  
R = TAPE AND REEL (SHEET 4)

**SPECIFICATIONS:**

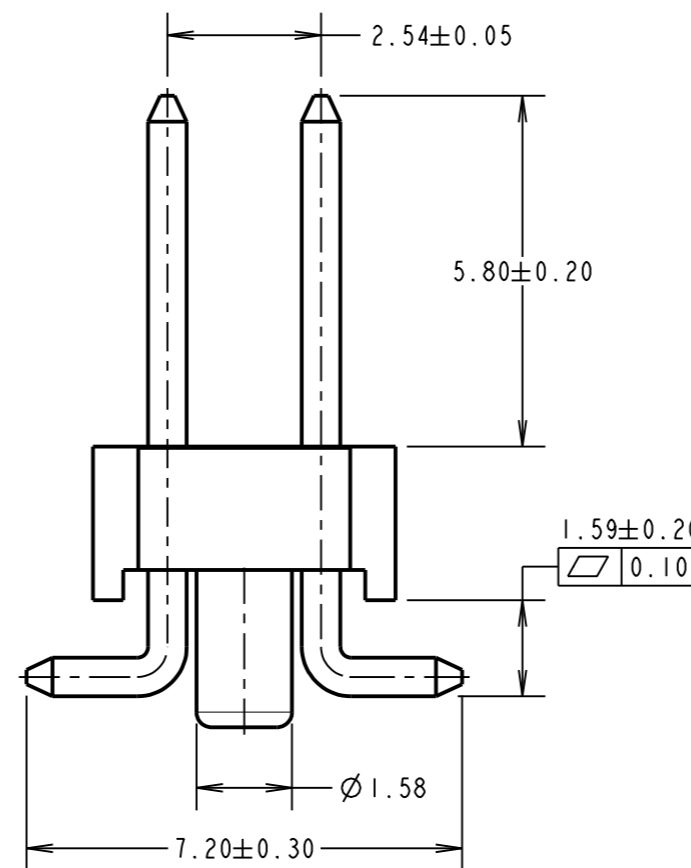
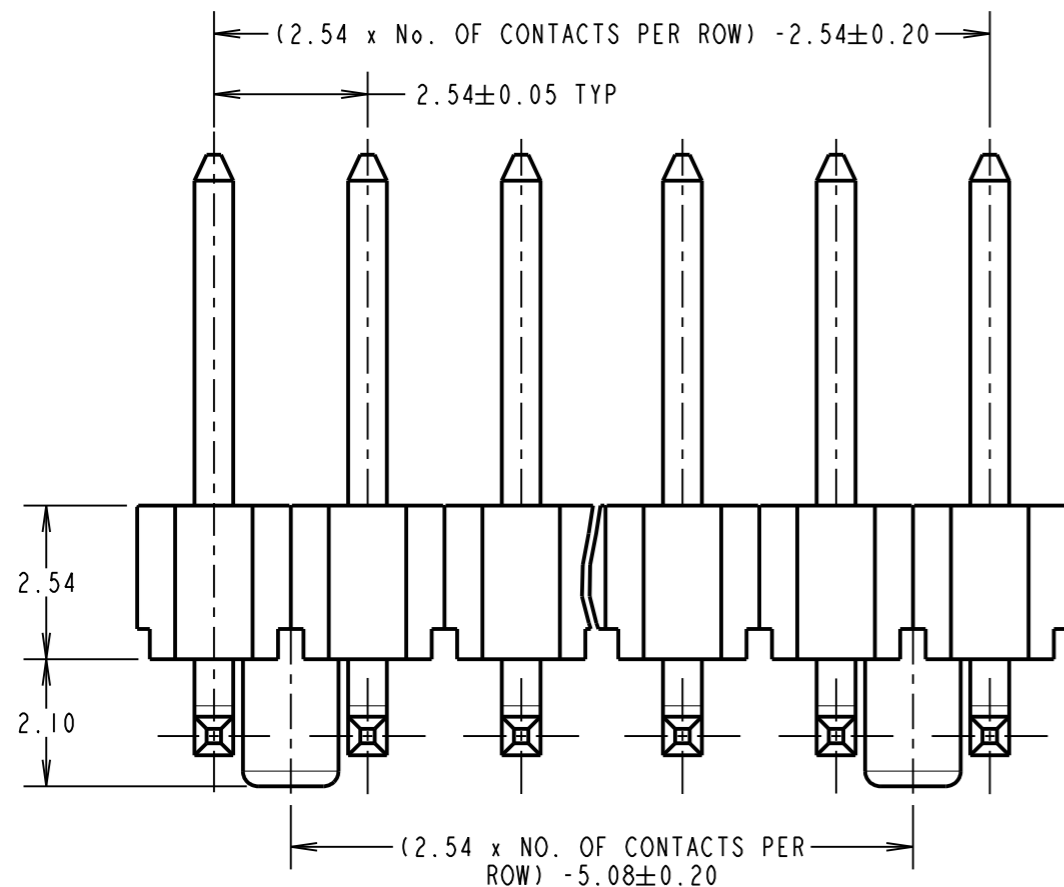
MATERIAL:  
MOULD = GLASS FILLED PA6T, UL94V-0  
CONTACTS = BRASS

FINISH:  
0.76-1.27µ NICKEL ALL OVER,  
0.02-0.025µ GOLD ON CONTACT AREA,  
2.54µ TIN ON TAILS

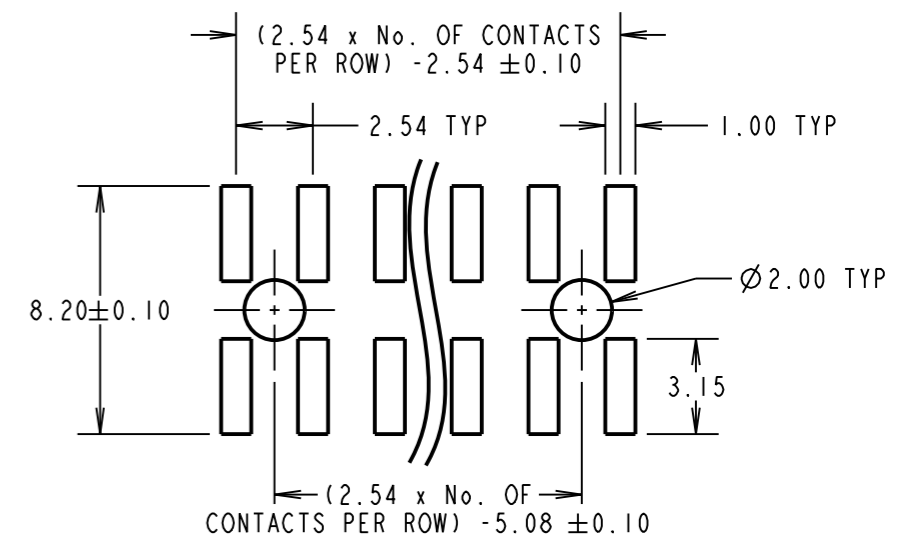
ELECTRICAL:  
CURRENT RATING = 3A  
CONTACT RESISTANCE = 20mΩ MAX  
INSULATION RESISTANCE = 1000MΩ MIN  
VOLTAGE PROOF = 500V AC FOR ONE MINUTE

MECHANICAL:  
DURABILITY = 300 CYCLES MAX

ENVIRONMENTAL:  
OPERATING TEMPERATURE = -40°C TO +105°C



**RECOMMENDED PCB LAYOUT**  
(TOLERANCE = ±0.05)



MSP	1	09.05.16	-----
NAME	ISS.	DATE	C/NOTE
APPROVED:		M.PERREN	
CHECKED:		S.BENNETT	
DRAWN:		M.PERREN	
CUSTOMER REF.:			
ASSEMBLY DRG:			

- NOTES:  
1. FOR TAPE AND REEL DETAILS, SEE SHEET 4.  
2. ALL TOLERANCES ARE ±0.15mm, UNLESS OTHERWISE STATED.

**HARWIN**

www.harwin.com  
technical@harwin.com

THIS DRAWING AND ANY INFORMATION OR DESCRIPTIVE MATTER SET OUT HEREON ARE CONFIDENTIAL AND COPYRIGHT PROPERTY OF THE HARWIN GROUP AND MUST NOT BE DISCLOSED, LOANED, COPIED OR USED FOR MANUFACTURING, TENDERING OR FOR ANY OTHER PURPOSE WITHOUT THEIR WRITTEN PERMISSION.

**TOLERANCES**  
X = ±1mm  
X.X = ±0.50mm  
X.XX = ±0.10mm  
X.XXX = ±0.01mm  
ANGLES = ±5°  
UNLESS STATED

MATERIAL:

SEE ABOVE

FINISH:

SEE ABOVE

S/AREA:

mm<sup>2</sup>

TITLE:

2.54mm PIN HEADER DIL  
VERTICAL SMT TAPE & REEL

DRAWING NUMBER:

**M20-875XX42X**

SHT  
3  
OF  
4

# Customer Information Sheet

DRAWING No.: M20-875XX42X

SHEET 4 OF 4

IF IN DOUBT - ASK

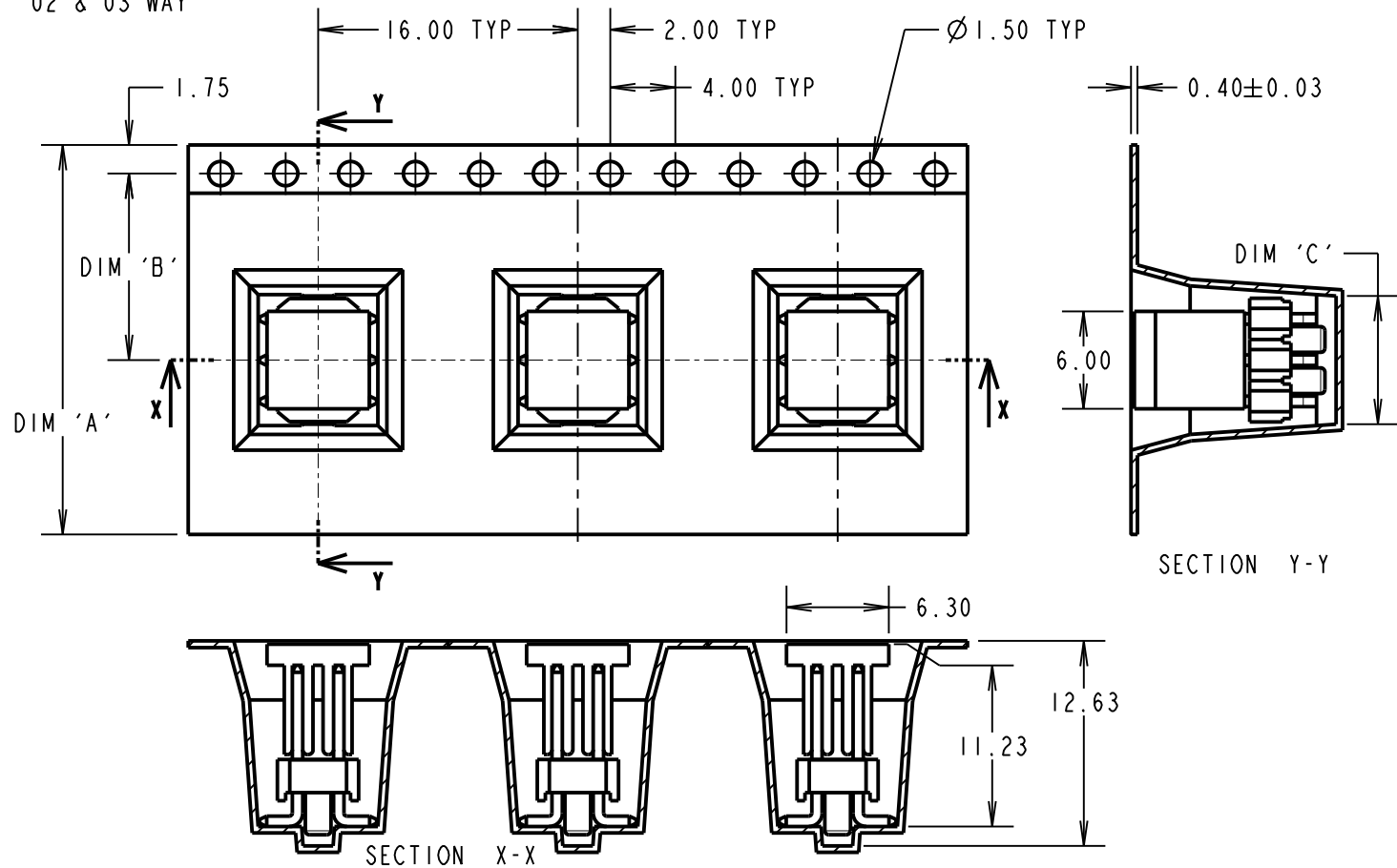
©

NOT TO SCALE

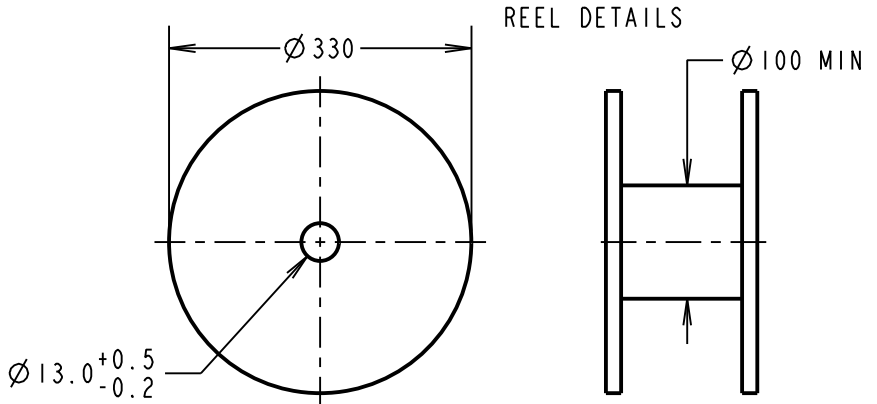
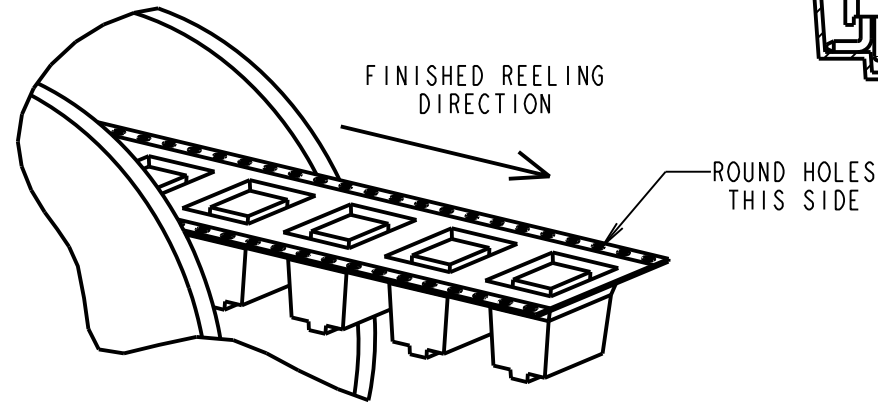
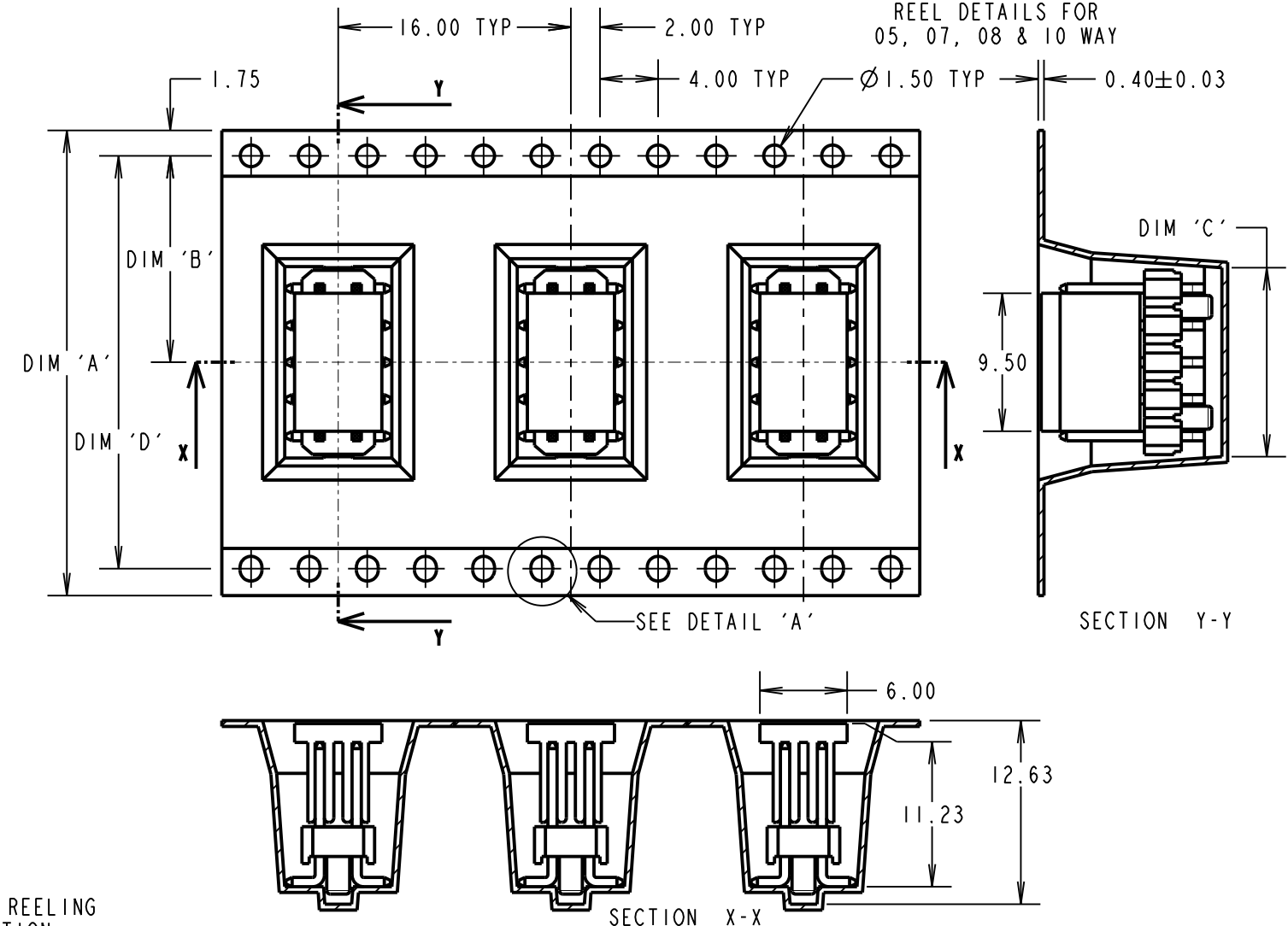
THIRD ANGLE PROJECTION

ALL DIMENSIONS IN mm

TAPE DETAILS FOR  
02 & 03 WAY



REEL DETAILS FOR  
05, 07, 08 & 10 WAY



PART No.	DIMENSION				REEL QUANTITY
	DIM 'A'	DIM 'B'	DIM 'C'	DIM 'D'	
M20-8750245R	24.00±0.30	11.50±0.30	5.50	N/A	300
M20-8750345R	24.00±0.30	11.50±0.30	7.90	N/A	
M20-8750545R	32.00±0.30	14.20±0.30	13.00	28.40	
M20-8750745R	44.00±0.30	20.20±0.30	18.10	40.40	
M20-8750842R	44.00±0.30	20.20±0.30	20.70	40.40	
M20-8751042R	56.00±0.30	26.20±0.30	25.80	52.40	

ORDER CODE:  
**M20-875XX42X**

No. OF CONTACTS PER ROW: \_\_\_\_\_  
02, 03, 05, 07, 08, 10

PACKING: \_\_\_\_\_  
BLANK = TUBE (SHEET 3)  
R = TAPE AND REEL

MSP	1	09.05.16	-----
NAME	ISS.	DATE	C/NOTE
APPROVED:		M.PERREN	
CHECKED:		S.BENNETT	
DRAWN:		M.PERREN	
CUSTOMER REF.:			
ASSEMBLY DRG:			

NOTES:  
1. FOR CONNECTOR DETAILS AND SPECIFICATIONS SEE SHEET 3.  
2. PRODUCT IS TAPE AND REELED IN GENERAL ACCORDANCE WITH EIA-481 (ELECTRAL INDUSTRIES ASSOCIATION).

**HARWIN**

www.harwin.com  
technical@harwin.com

THIS DRAWING AND ANY INFORMATION OR DESCRIPTIVE MATTER SET OUT HEREON ARE CONFIDENTIAL AND COPYRIGHT PROPERTY OF THE HARWIN GROUP AND MUST NOT BE DISCLOSED, LOANED, COPIED OR USED FOR MANUFACTURING, TENDERING OR FOR ANY OTHER PURPOSE WITHOUT THEIR WRITTEN PERMISSION.

TOLERANCES  
X. = ±1mm  
X.X = ±0.50mm  
X.XX = ±0.10mm  
X.XXX = ±0.01mm  
ANGLES = ±5°  
UNLESS STATED

MATERIAL: SEE ABOVE  
FINISH: SEE ABOVE  
S/AREA: mm<sup>2</sup>

TITLE:  
2.54mm PIN HEADER DIL  
VERTICAL SMT TAPE & REEL

DRAWING NUMBER:  
**M20-875XX42X**

SHT 4 OF 4