



Chipsmall Limited consists of a professional team with an average of over 10 year of expertise in the distribution of electronic components. Based in Hongkong, we have already established firm and mutual-benefit business relationships with customers from,Europe,America and south Asia,supplying obsolete and hard-to-find components to meet their specific needs.

With the principle of "Quality Parts,Customers Priority,Honest Operation,and Considerate Service",our business mainly focus on the distribution of electronic components. Line cards we deal with include Microchip,ALPS,ROHM,Xilinx,Pulse,ON,Everlight and Freescale. Main products comprise IC,Modules,Potentiometer,IC Socket,Relay,Connector.Our parts cover such applications as commercial,industrial, and automotives areas.

We are looking forward to setting up business relationship with you and hope to provide you with the best service and solution. Let us make a better world for our industry!



## Contact us

Tel: +86-755-8981 8866 Fax: +86-755-8427 6832

Email & Skype: info@chipsmall.com Web: www.chipsmall.com

Address: A1208, Overseas Decoration Building, #122 Zhenhua RD., Futian, Shenzhen, China



# Customer Information Sheet

DRAWING No.: M20-877XXX

SHEET 2 OF 2

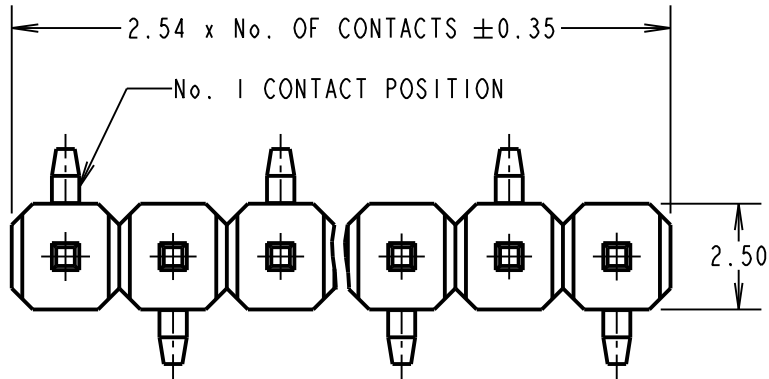
IF IN DOUBT - ASK

©

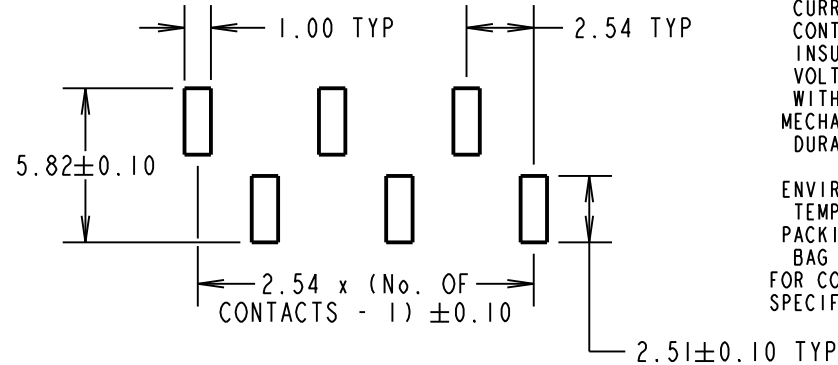
NOT TO SCALE

THIRD ANGLE PROJECTION

ALL DIMENSIONS IN mm



RECOMMENDED PAD LAYOUT  
(TOLERANCE =  $\pm 0.05$ )



**SPECIFICATION:**

**MATERIAL:**  
 MOULDING = NYLON 6T UL94V-0, BLACK  
 CONTACT = BRASS

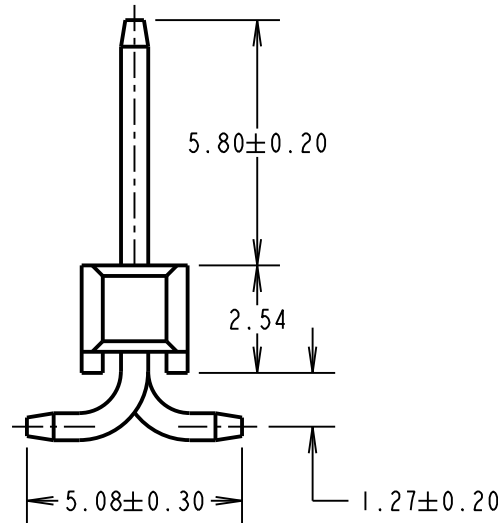
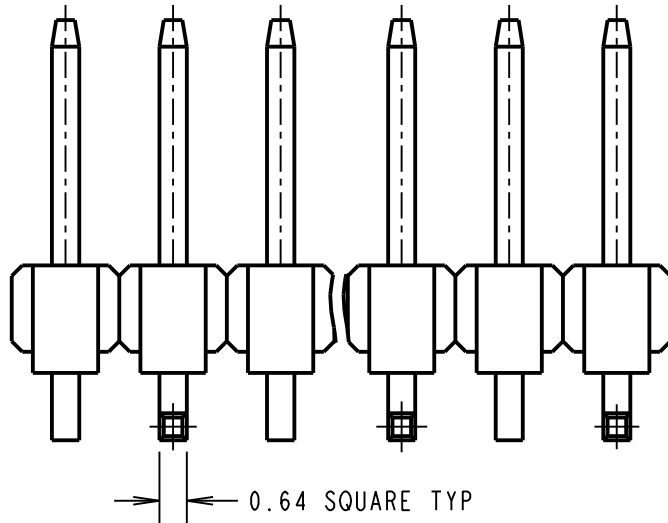
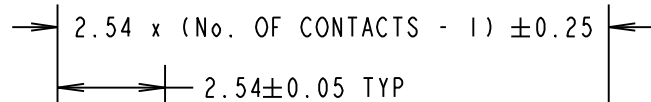
**FINISH:**  
 42 = SELECTIVE GOLD ON CONTACT AREA,  
 100% TIN ON TAILS  
 46 = 100% TIN

**ELECTRICAL:**  
 CURRENT RATING = 3A MAX  
 CONTACT RESISTANCE = 20m $\Omega$  MAX  
 INSULATION RESISTANCE = 1,000M $\Omega$  MIN  
 VOLTAGE RATING = 250V AC/DC  
 WITHSTANDING VOLTAGE = 500V AC FOR ONE MIN

**MECHANICAL:**  
 DURABILITY = 50 OPERATIONS (TIN),  
 300 OPERATIONS (GOLD)

**ENVIRONMENTAL:**  
 TEMPERATURE RANGE = -40°C TO +105°C

**PACKING:**  
 BAG  
 FOR COMPLETE SPECIFICATION, SEE COMPONENT SPECIFICATION C001XX (LATEST ISSUE)



NOTES:  
 1. ALL TOLERANCES ARE  $\pm 0.15$ mm UNLESS OTHERWISE STATED.

ORDER CODE:

**M20-877XXX**

No. OF CONTACTS: \_\_\_\_\_  
 02 TO 36

FINISH:  
 42 = SELECTIVE GOLD + 100% TIN  
 46 = 100% TIN

SB	18	05.03.15	12764
NAME	ISS.	DATE	C/NOTE
APPROVED: S.BENNETT			
CHECKED: M.PLESTED			
DRAWN: P. D. COLLINS			
CUSTOMER REF.:			
ASSEMBLY DRG:			

**HARWIN**

www.harwin.com  
 technical@harwin.com

THIS DRAWING AND ANY INFORMATION OR DESCRIPTIVE MATTER SET OUT HEREON ARE CONFIDENTIAL AND COPYRIGHT PROPERTY OF THE HARWIN GROUP AND MUST NOT BE DISCLOSED, LOANED, COPIED OR USED FOR MANUFACTURING, TENDERING OR FOR ANY OTHER PURPOSE WITHOUT THEIR WRITTEN PERMISSION.

~~TOLERANCES~~  
~~X. =  $\pm 1$ mm~~  
~~X.X =  $\pm 0.25$ mm~~  
~~X.XX =  $\pm 0.10$ mm~~  
~~X.XXX =  $\pm 0.01$ mm~~  
~~ANGLES =  $\pm 5^\circ$~~   
 UNLESS STATED

MATERIAL:

SEE ABOVE

FINISH: SEE ABOVE

S/AREA:

mm<sup>2</sup>

TITLE: 2.54mm PITCH SIL  
 SMT PIN HEADER ASSEMBLY  
 (LEFT-HANDED LEAD)

DRAWING NUMBER:

**M20-877XXX**

SHT  
 2 OF 2