



Chipsmall Limited consists of a professional team with an average of over 10 year of expertise in the distribution of electronic components. Based in Hongkong, we have already established firm and mutual-benefit business relationships with customers from,Europe,America and south Asia,supplying obsolete and hard-to-find components to meet their specific needs.

With the principle of “Quality Parts,Customers Priority,Honest Operation,and Considerate Service”,our business mainly focus on the distribution of electronic components. Line cards we deal with include Microchip,ALPS,ROHM,Xilinx,Pulse,ON,Everlight and Freescale. Main products comprise IC,Modules,Potentiometer,IC Socket,Relay,Connector.Our parts cover such applications as commercial,industrial, and automotives areas.

We are looking forward to setting up business relationship with you and hope to provide you with the best service and solution. Let us make a better world for our industry!



Contact us

Tel: +86-755-8981 8866 Fax: +86-755-8427 6832

Email & Skype: info@chipsmall.com Web: www.chipsmall.com

Address: A1208, Overseas Decoration Building, #122 Zhenhua RD., Futian, Shenzhen, China



Customer Information Sheet

DRAWING No.: M22-3080046

SHEET 2 OF 2

IF IN DOUBT - ASK

©

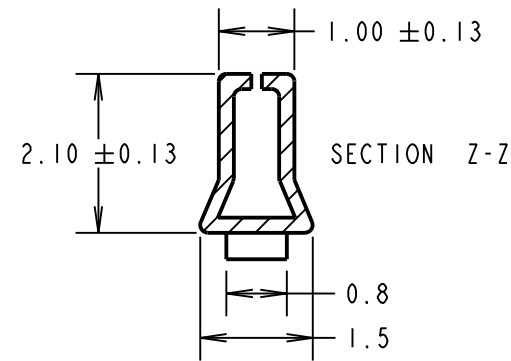
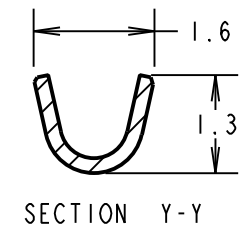
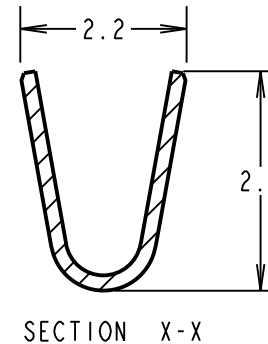
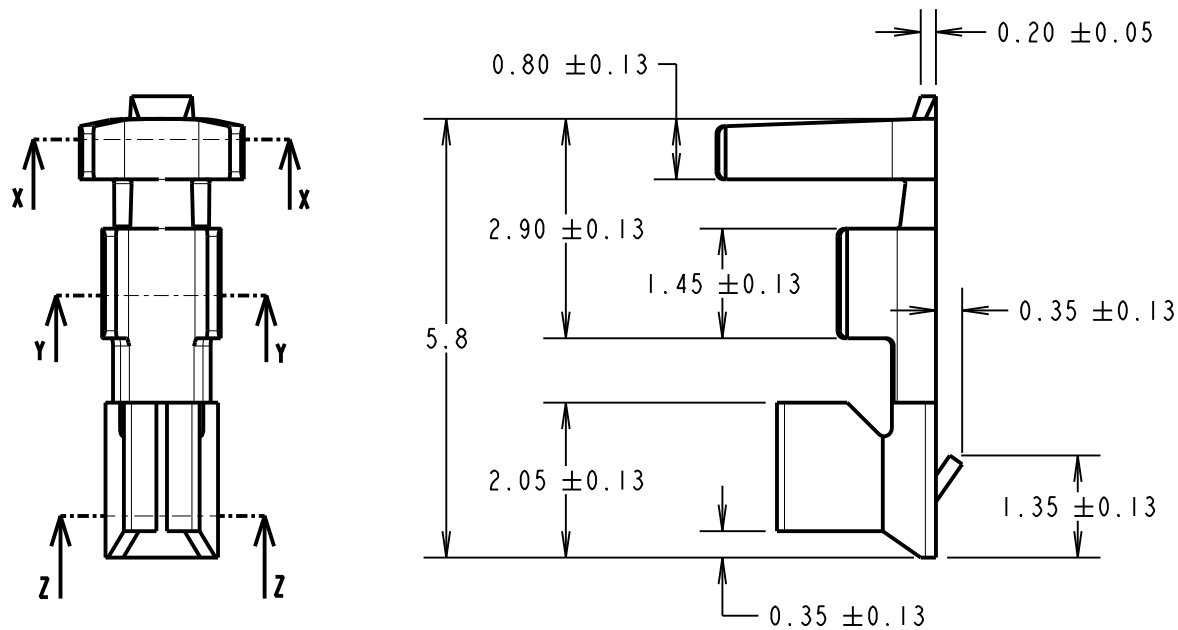
NOT TO SCALE

THIRD ANGLE PROJECTION

ALL DIMENSIONS IN mm

SPECIFICATIONS:

MATERIAL = PHOSPHOR BRONZE
 FINISH = 2.5µ 100% TIN OVER NICKEL
 ELECTRICAL:
 VOLTAGE RATING = 250V AC/DC
 CURRENT RATING = 2A AC/DC
 DIELECTRIC STRENGTH = 800V AC FOR 1 MINUTE
 INSULATION RESISTANCE = 1,000 MEGOHMS MIN
 ENVIRONMENTAL:
 TEMPERATURE RANGE = -25°C TO +85°C



NOTES:

1. TO BE USED WITH CRIMP MOULDING M22-307XX00, SPECIFICATION SHOWN BELOW APPLY WHEN ASSEMBLED IN THIS MOULDING.
2. CONTACTS SUPPLIED LOOSE IN QUANTITIES OF 100
3. ACCEPTS WIRE RANGE 24-30 AWG.
4. DIAMETER OF WIRE INSULATION = Ø1.4mm MAX.
5. FOR HAND CRIMPING ONTO WIRE, USE HAND TOOL Z22-020 (INSTRUCTION SHEET IS-05). STRIP WIRE BY 1.5 - 2.0mm BEFORE CRIMPING.
6. RECOMMENDED CONDUCTOR CRIMP HEIGHTS:
 FOR 28 - 30AWG = 0.62±0.03mm
 FOR 24 - 26AWG = 0.70±0.03mm

SB	11	15.06.12	11756
NAME	ISS.	DATE	C/NOTE
APPROVED:		S.BENNETT	
CHECKED:		M.PLESTED	
DRAWN:		D.BECK	
CUSTOMER REF.:			
ASSEMBLY DRG:			

HARWIN

www.harwin.com
 technical@harwin.com

THIS DRAWING AND ANY INFORMATION OR DESCRIPTIVE MATTER SET OUT HEREON ARE CONFIDENTIAL AND COPYRIGHT PROPERTY OF THE HARWIN GROUP AND MUST NOT BE DISCLOSED, LOANED, COPIED OR USED FOR MANUFACTURING, TENDERING OR FOR ANY OTHER PURPOSE WITHOUT THEIR WRITTEN PERMISSION.

TOLERANCES
 X. = ±1mm
 X.X = ±0.25mm
 X.XX = ±0.10mm
 X.XXX = ±0.01mm
 ANGLES = ±5°
 UNLESS STATED

MATERIAL:
 SEE ABOVE
FINISH:
 SEE ABOVE
S/AREA:
 mm²

TITLE:
 2mm CRIMP TERMINAL (LOOSE)
DRAWING NUMBER:
 M22-3080046
SHT
 2 OF 2