



Chipsmall Limited consists of a professional team with an average of over 10 year of expertise in the distribution of electronic components. Based in Hongkong, we have already established firm and mutual-benefit business relationships with customers from,Europe,America and south Asia,supplying obsolete and hard-to-find components to meet their specific needs.

With the principle of "Quality Parts,Customers Priority,Honest Operation,and Considerate Service",our business mainly focus on the distribution of electronic components. Line cards we deal with include Microchip,ALPS,ROHM,Xilinx,Pulse,ON,Everlight and Freescale. Main products comprise IC,Modules,Potentiometer,IC Socket,Relay,Connector.Our parts cover such applications as commercial,industrial, and automotives areas.

We are looking forward to setting up business relationship with you and hope to provide you with the best service and solution. Let us make a better world for our industry!



Contact us

Tel: +86-755-8981 8866 Fax: +86-755-8427 6832

Email & Skype: info@chipsmall.com Web: www.chipsmall.com

Address: A1208, Overseas Decoration Building, #122 Zhenhua RD., Futian, Shenzhen, China



Customer Information Sheet

DRAWING No.: M22-532XXXXR

SHEET 3 OF 4

IF IN DOUBT - ASK

©

NOT TO SCALE

THIRD ANGLE PROJECTION

ALL DIMENSIONS IN mm

SPECIFICATIONS:

MATERIAL:
 MOULDING, PICK & PLACE CAP = NYLON 6T, UL94V-0, BLACK
 CONTACTS = PHOSPHOR BRONZE

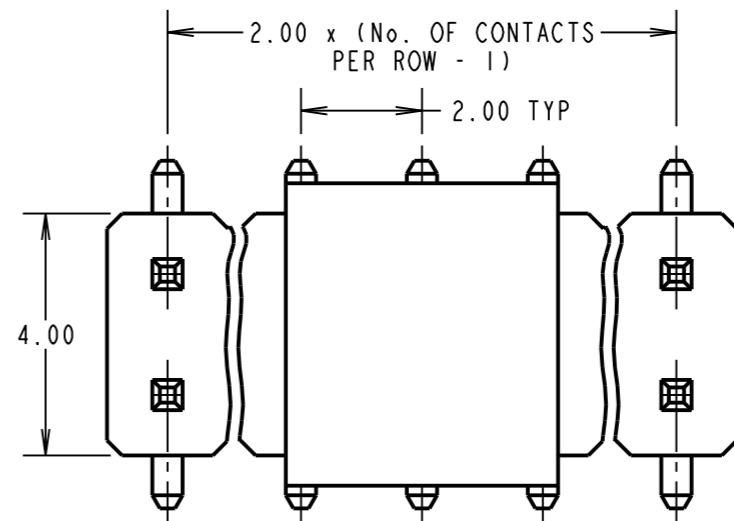
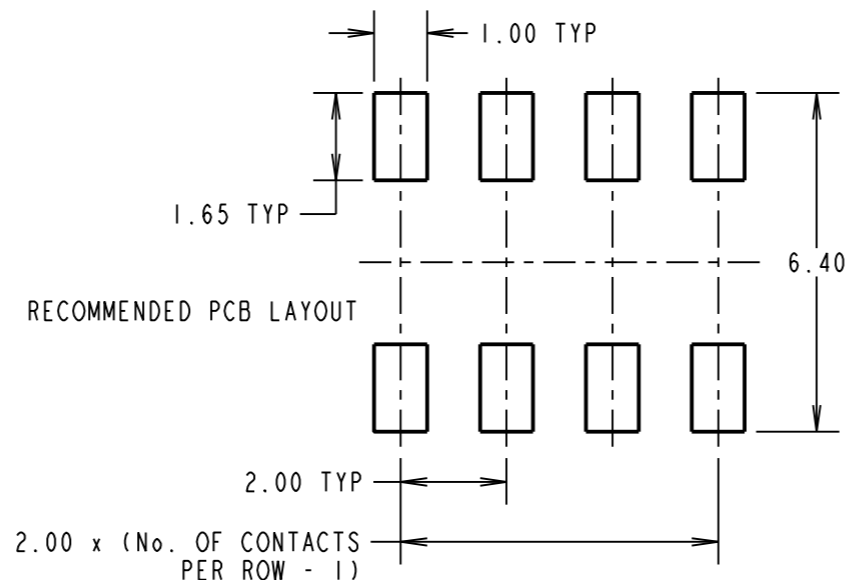
FINISH:
 05 = GOLD
 46 = 100% TIN, OVER NICKEL

ELECTRICAL:
 CURRENT RATING = 1A
 CONTACT RESISTANCE = 20mΩ MAX (GOLD), 30mΩ MAX (TIN)
 INSULATION RESISTANCE = 100MΩ MIN

MECHANICAL:
 DURABILITY = 300 OPERATIONS (GOLD), 50 OPERATIONS (TIN)
 DIELECTRIC STRENGTH = 650V AC/DC

ENVIRONMENTAL:
 TEMPERATURE RANGE = -40°C TO +105°C

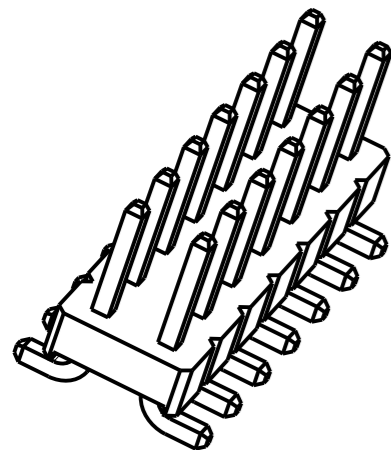
FOR COMPLETE SPECIFICATION, SEE COMPONENT SPECIFICATION C018XX (LATEST ISSUE)



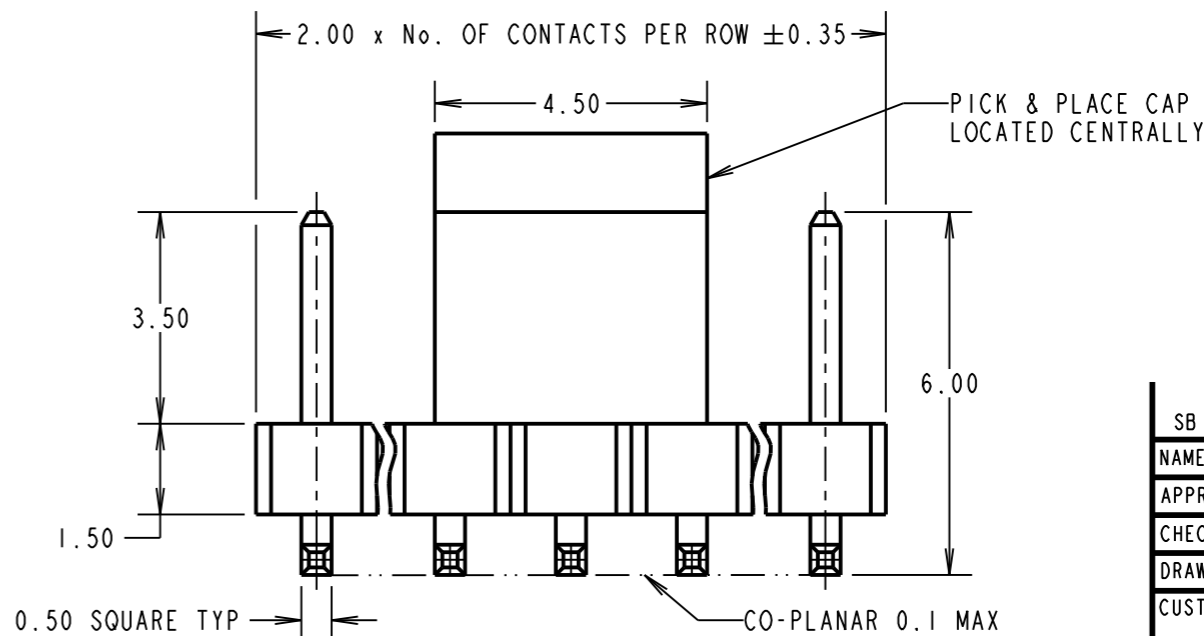
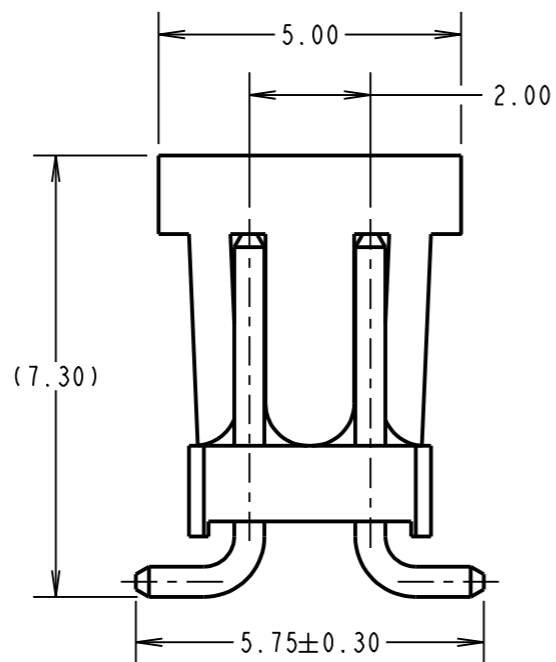
ORDER CODE:
M22-532XXXXR

No. OF CONTACTS PER ROW: 02, 03, 05, 07, 08, 09, 10, 11

FINISH: 05 - GOLD, 46 - 100% TIN



PICK AND PLACE CAP HIDDEN FOR ILLUSTRATION ONLY



NOTES:

- ALL TOLERANCES ARE ±0.25 UNLESS OTHERWISE STATED.
- SEE DRAWING M22-532XXXXP FOR PICK AND PLACE VERSION, M22-532XXXX FOR STANDARD PRODUCT.
- FOR TAPE & REEL DETAILS, SEE SHEET 4.
- CO-PLANARITY: FLATNESS OF SMT TAILS MUST NOT EXCEED 0.1mm.

HARWIN

www.harwin.com
 technical@harwin.com

THIS DRAWING AND ANY INFORMATION OR DESCRIPTIVE MATTER SET OUT HEREON ARE CONFIDENTIAL AND COPYRIGHT PROPERTY OF THE HARWIN GROUP AND MUST NOT BE DISCLOSED, LOANED, COPIED OR USED FOR MANUFACTURING, TENDERING OR FOR ANY OTHER PURPOSE WITHOUT THEIR WRITTEN PERMISSION.

TOLERANCES

~~X = ±1mm~~
~~X.X = ±0.50mm~~
~~X.XX = ±0.10mm~~
~~X.XXX = ±0.01mm~~
 ANGLES = ±5°
 UNLESS STATED

MATERIAL:

SEE ABOVE

FINISH:

SEE ABOVE

S/AREA:

mm²

TITLE:

2.00mm PITCH DIL SMT PIN HEADER ASSEMBLY (WITH P/PLACE CAP, T/REEL)

DRAWING NUMBER:

M22-532XXXXR

| | | | |
|----------------|------|-----------|--------|
| SB | 12 | 27.04.15 | 12763 |
| NAME | ISS. | DATE | C/NOTE |
| APPROVED: | | S.BENNETT | |
| CHECKED: | | M.PLESTED | |
| DRAWN: | | J.KEIR | |
| CUSTOMER REF.: | | | |
| ASSEMBLY DRG: | | | |

Customer Information Sheet

DRAWING No.: M22-532XXXXR

SHEET 4 OF 4

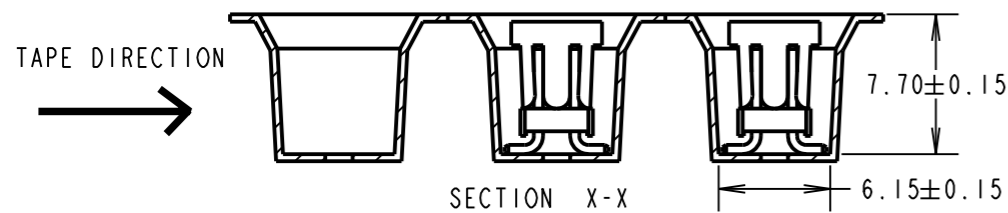
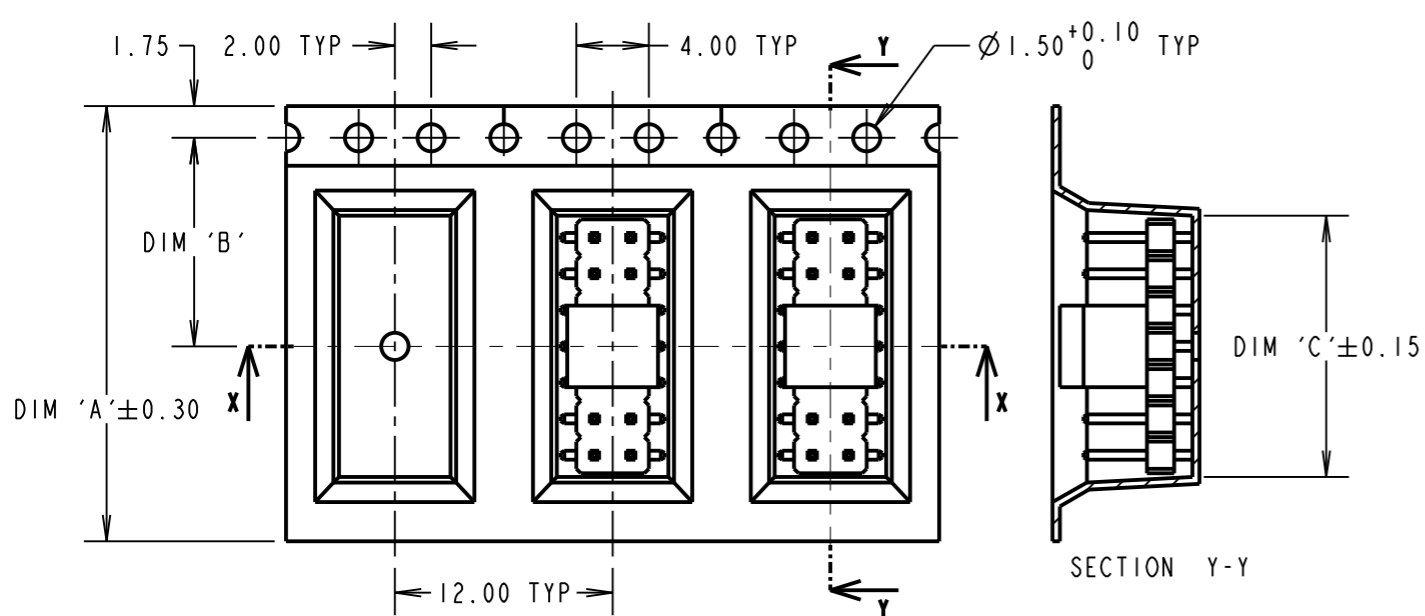
IF IN DOUBT - ASK

©

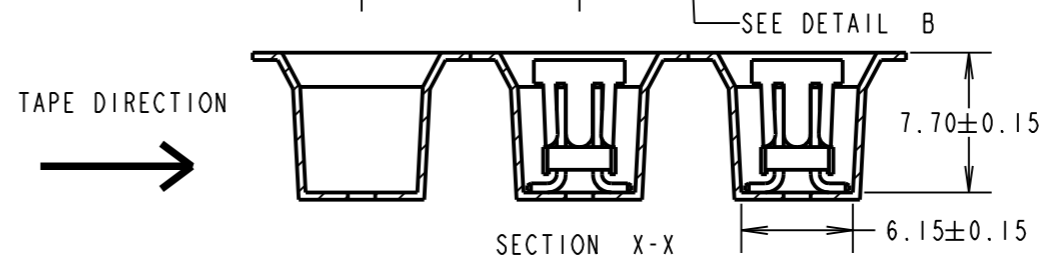
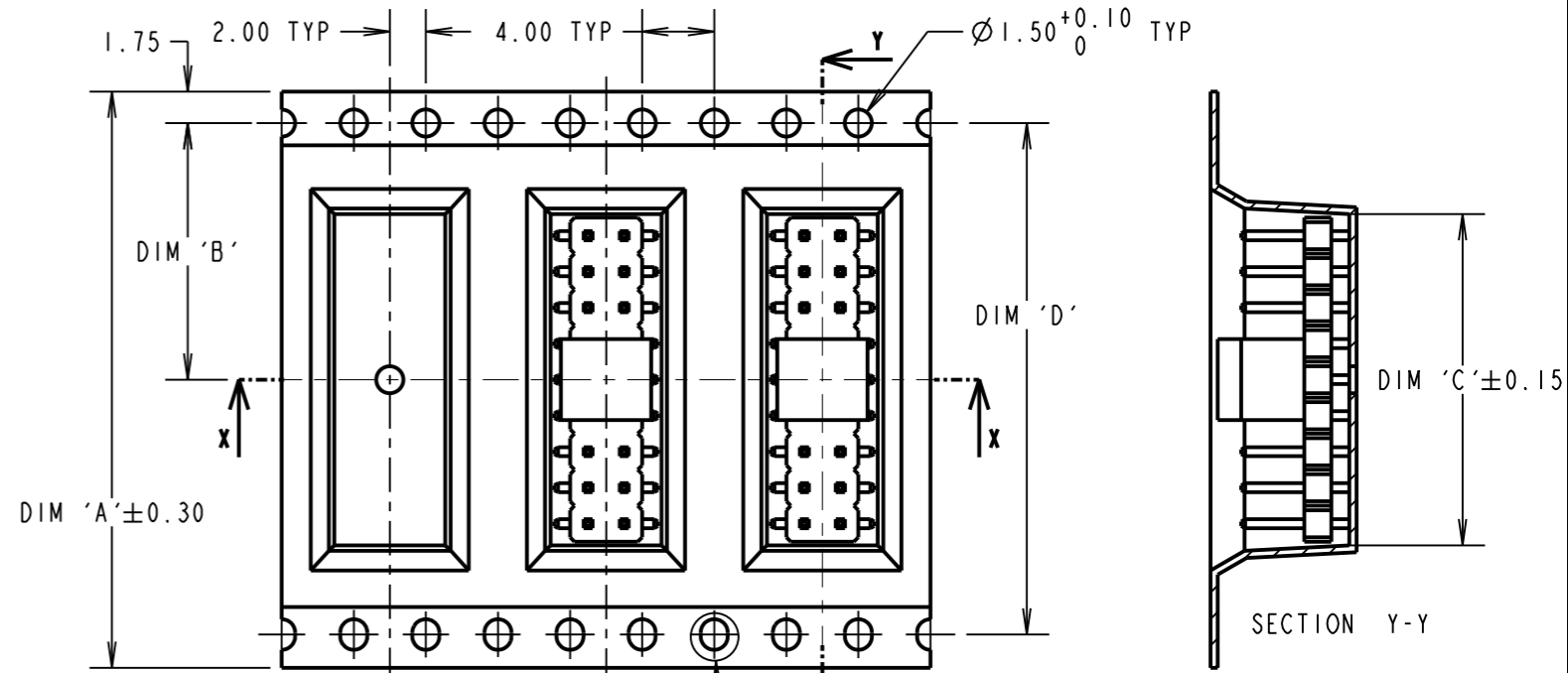
NOT TO SCALE

THIRD ANGLE PROJECTION

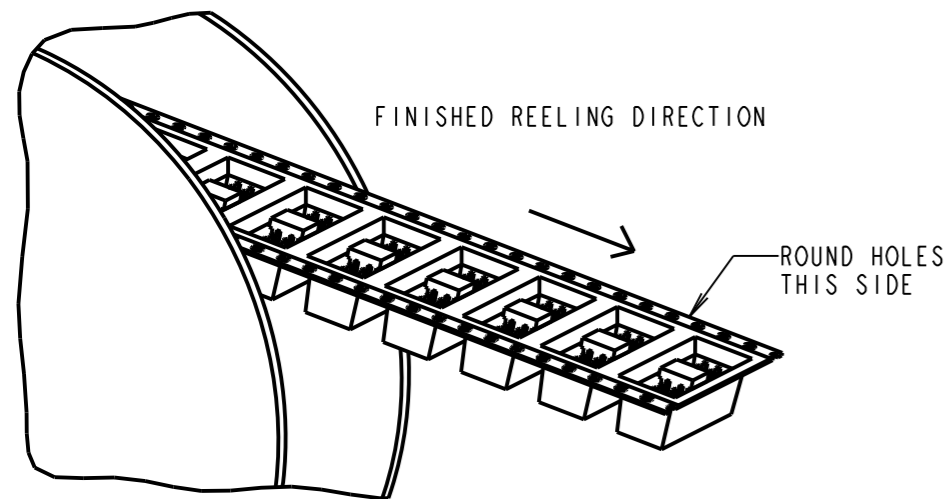
ALL DIMENSIONS IN mm



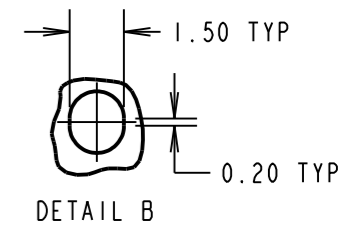
TAPE DETAILS FOR 2, 3 & 5 WAY



TAPE DETAILS FOR 7 TO 11 WAY



- NOTES:
1. QUANTITY PER REEL= 700 PIECES.
 2. FOR CONNECTOR DETAILS, SEE SHEET 3.
 3. SEE DRAWING M22-532XXXXP FOR PICK & PLACE VERSION & M22-532XXXX FOR STANDARD PRODUCT.



| PART No. | DIM 'A' | DIM 'B' | DIM 'C' | DIM 'D' |
|--------------|---------|---------|---------|---------|
| M22-53202XXR | 16.00 | 7.50 | 4.20 | N/A |
| M22-53203XXR | 16.00 | 7.50 | 6.20 | N/A |
| M22-53205XXR | 24.00 | 11.50 | 10.20 | N/A |
| M22-53207XXR | 32.00 | 14.20 | 14.40 | 28.40 |
| M22-53208XXR | 32.00 | 14.20 | 16.40 | 28.40 |
| M22-53209XXR | 32.00 | 14.20 | 18.40 | 28.40 |
| M22-53210XXR | 44.00 | 20.20 | 20.40 | 40.40 |
| M22-53211XXR | 44.00 | 20.20 | 22.40 | 40.40 |

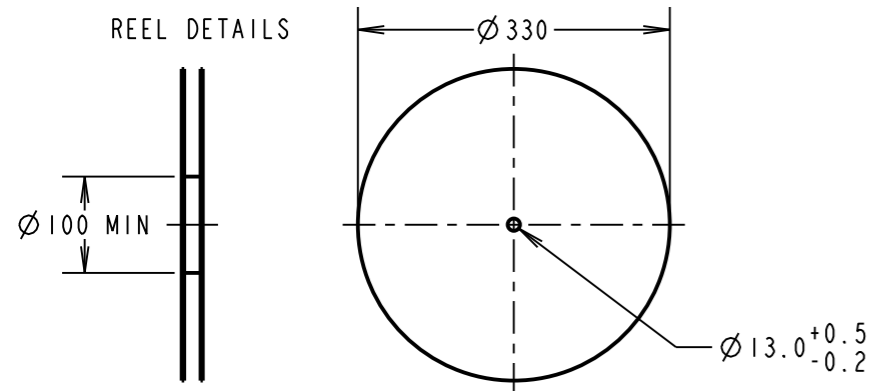
ORDER CODE:

M22-532XXXXR

No. OF CONTACTS PER ROW:
02, 03, 05, 07, 08, 09,
10, 11

FINISH:
05 - GOLD
46 - 100% TIN

| | | | |
|----------------|------|-----------|--------|
| SB | 12 | 27.04.15 | 12763 |
| NAME | ISS. | DATE | C/NOTE |
| APPROVED: | | S.BENNETT | |
| CHECKED: | | M.PLESTED | |
| DRAWN: | | J.KEIR | |
| CUSTOMER REF.: | | | |
| ASSEMBLY DRG: | | | |



HARWIN

www.harwin.com
technical@harwin.com

THIS DRAWING AND ANY INFORMATION OR DESCRIPTIVE MATTER SET OUT HEREON ARE CONFIDENTIAL AND COPYRIGHT PROPERTY OF THE HARWIN GROUP AND MUST NOT BE DISCLOSED, LOANED, COPIED OR USED FOR MANUFACTURING, TENDERING OR FOR ANY OTHER PURPOSE WITHOUT THEIR WRITTEN PERMISSION.

TOLERANCES

X. = ±1mm
X.X = ±0.50mm
X.XX = ±0.10mm
X.XXX = ±0.01mm
ANGLES = 2±5°
UNLESS STATED

MATERIAL:

SEE ABOVE

FINISH:

SEE ABOVE

S/AREA:

mm²

TITLE: 2.00mm PITCH DIL
SMT PIN HEADER ASSEMBLY
(WITH P/PLACE CAP, T/REEL)

DRAWING NUMBER:

M22-532XXXXR

SHT
4
OF
4