



Chipsmall Limited consists of a professional team with an average of over 10 year of expertise in the distribution of electronic components. Based in Hongkong, we have already established firm and mutual-benefit business relationships with customers from,Europe,America and south Asia,supplying obsolete and hard-to-find components to meet their specific needs.

With the principle of “Quality Parts,Customers Priority,Honest Operation,and Considerate Service”,our business mainly focus on the distribution of electronic components. Line cards we deal with include Microchip,ALPS,ROHM,Xilinx,Pulse,ON,Everlight and Freescale. Main products comprise IC,Modules,Potentiometer,IC Socket,Relay,Connector.Our parts cover such applications as commercial,industrial, and automotives areas.

We are looking forward to setting up business relationship with you and hope to provide you with the best service and solution. Let us make a better world for our industry!



Contact us

Tel: +86-755-8981 8866 Fax: +86-755-8427 6832

Email & Skype: info@chipsmall.com Web: www.chipsmall.com

Address: A1208, Overseas Decoration Building, #122 Zhenhua RD., Futian, Shenzhen, China



Customer Information Sheet

DRAWING No.: M22-654XX42R

SHEET 3 OF 4

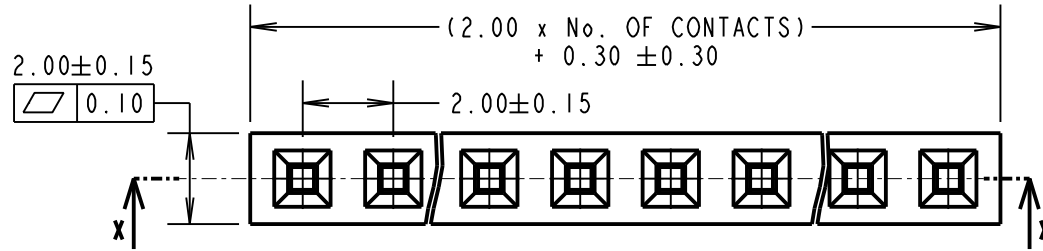
IF IN DOUBT - ASK

©

NOT TO SCALE

THIRD ANGLE PROJECTION

ALL DIMENSIONS IN mm



COMPONENT SPECIFICATIONS:

MATERIAL:

MOULD = GLASS FILLED LCP, UL94V-0
CONTACTS = PHOSPHOR BRONZE

FINISH:

0.76-2.03µ NICKEL ALL OVER,
0.015µ MIN GOLD ON CONTACT,
2.03-5.08µ TIN ON TAILS.

ELECTRICAL:

CURRENT RATING = 2A
CONTACT RESISTANCE = 20mΩ MAX
INSULATION RESISTANCE = 1000MΩ MIN
VOLTAGE PROOF = 500V AC FOR ONE MINUTE

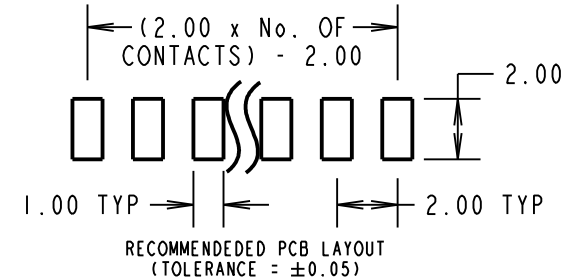
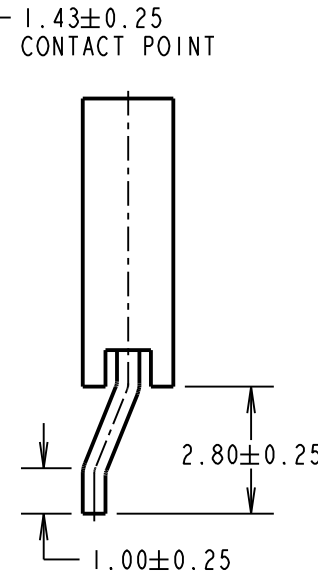
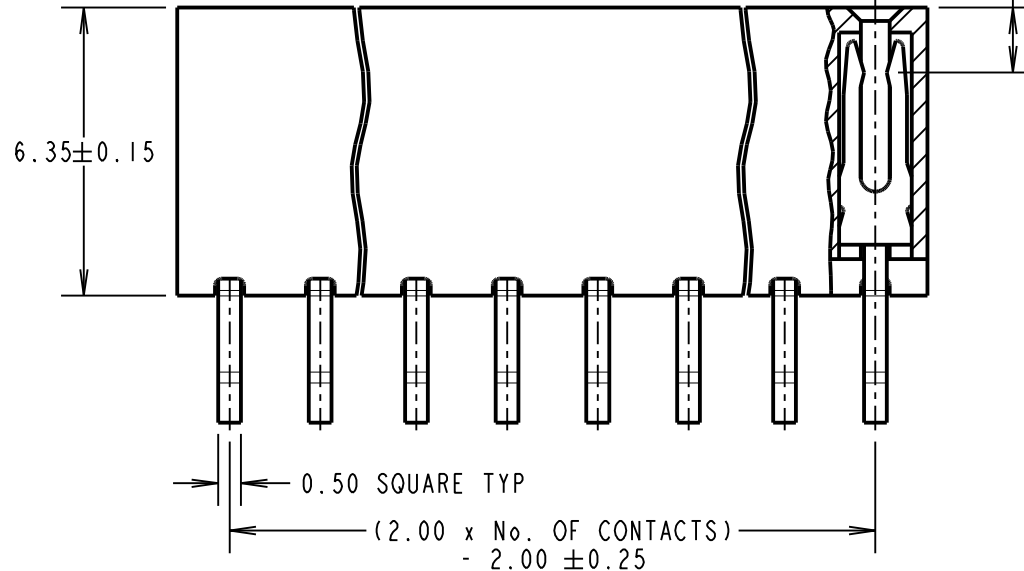
MECHANICAL:

INSERTION FORCE = 1.96N MAX PER CONTACT
WITHDRAWAL FORCE = 0.19N MIN PER CONTACT
DURABILITY = 300 CYCLES MIN

ENVIRONMENTAL:

OPERATING TEMPERATURE = -40°C TO +105°C

PART SECTION X-X



NOTES:
1. FOR TAPE AND REEL DETAILS, SEE SHEET 4.

ORDER CODE:
M22-654XX42R

No. OF CONTACTS PER ROW: _____
02-06, 08, 10

| | | | |
|----------------|------|-----------|--------|
| MSP | 1 | 12.05.16 | ----- |
| NAME | ISS. | DATE | C/NOTE |
| APPROVED: | | M.PERREN | |
| CHECKED: | | S.BENNETT | |
| DRAWN: | | M.PERREN | |
| CUSTOMER REF.: | | | |
| ASSEMBLY DRG: | | | |

HARWIN

www.harwin.com
technical@harwin.com

THIS DRAWING AND ANY INFORMATION OR DESCRIPTIVE MATTER SET OUT HEREON ARE CONFIDENTIAL AND COPYRIGHT PROPERTY OF THE HARWIN GROUP AND MUST NOT BE DISCLOSED, LOANED, COPIED OR USED FOR MANUFACTURING, TENDERING OR FOR ANY OTHER PURPOSE WITHOUT THEIR WRITTEN PERMISSION.

TOLERANCES
X. = ±1mm
X.X = ±0.50mm
X.XX = ±0.10mm
X.XXX = ±0.01mm
ANGLES = ±5°
UNLESS STATED

MATERIAL:
SEE ABOVE
FINISH: SEE ABOVE
S/AREA: mm²

TITLE:
2.00mm PITCH SIL HORIZONTAL SOCKET, SMT TAPE & REEL
DRAWING NUMBER:
M22-654XX42R

Customer Information Sheet

DRAWING No.: M22-654XX42R

SHEET 4 OF 4

IF IN DOUBT - ASK

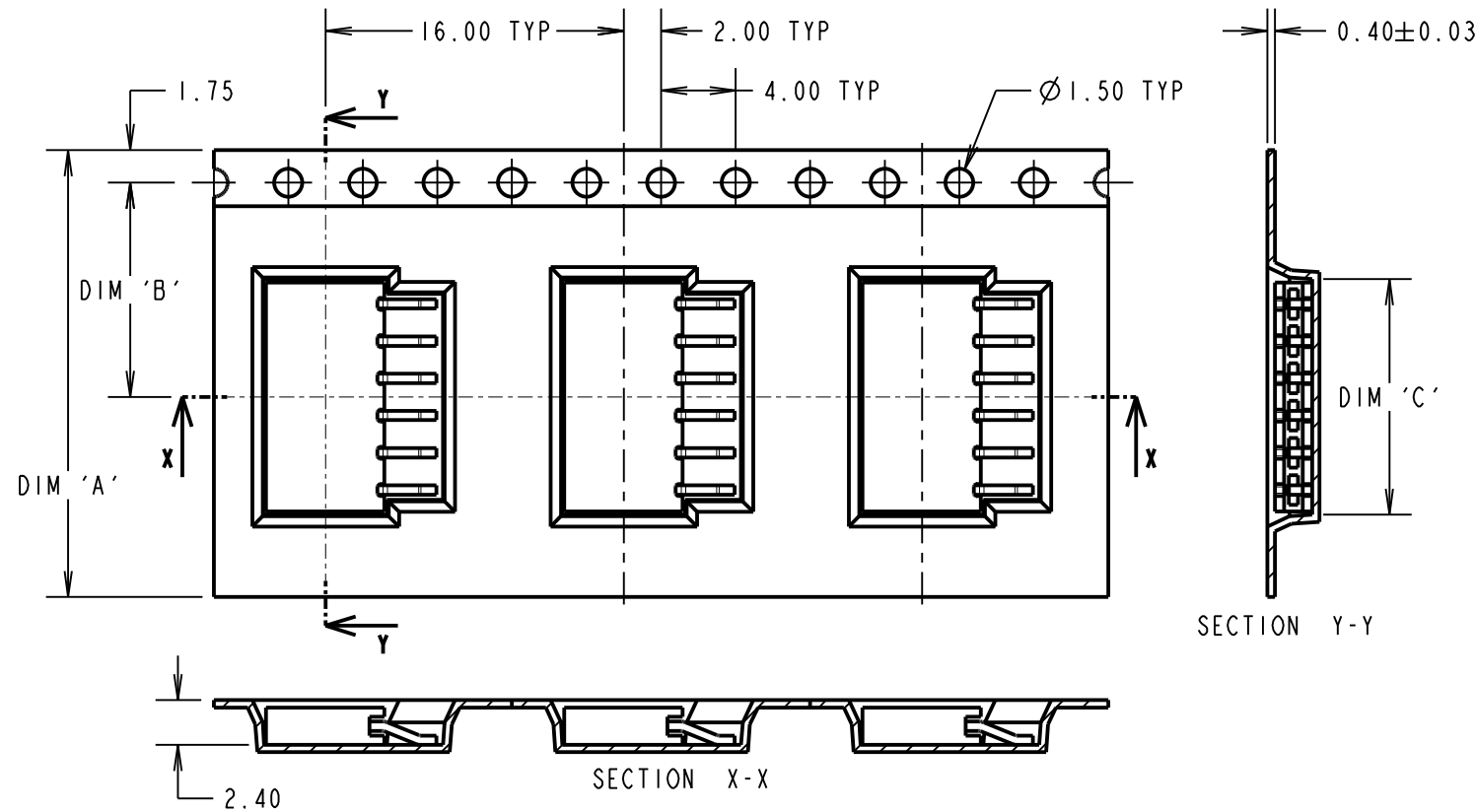
©

NOT TO SCALE

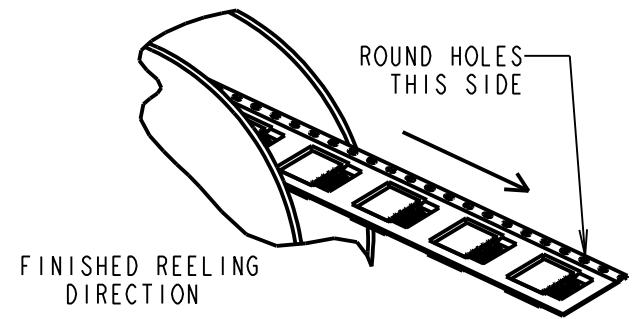
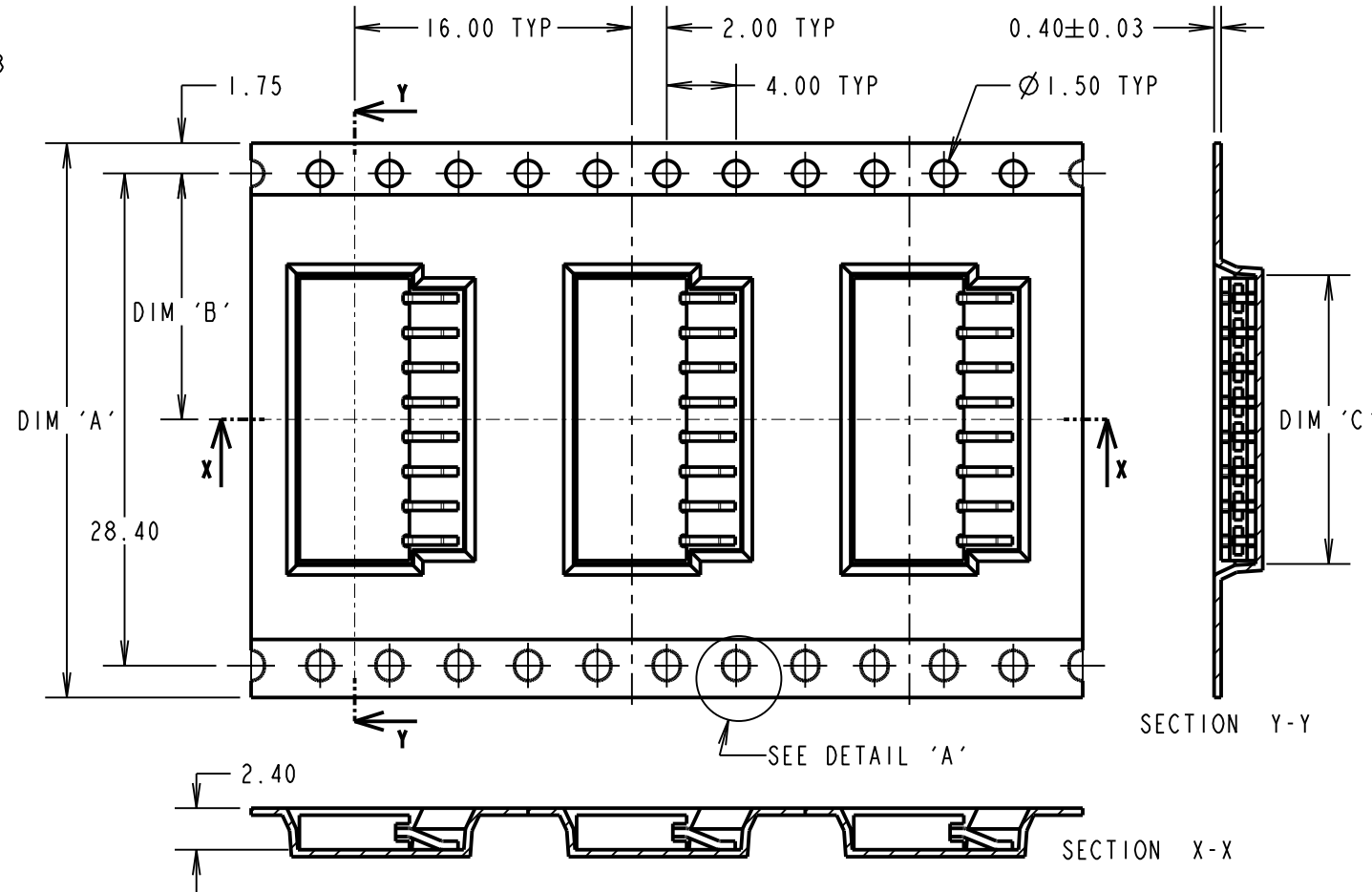
THIRD ANGLE PROJECTION

ALL DIMENSIONS IN mm

TAPE DETAILS FOR
02, 03, 04, 05 & 06 WAY



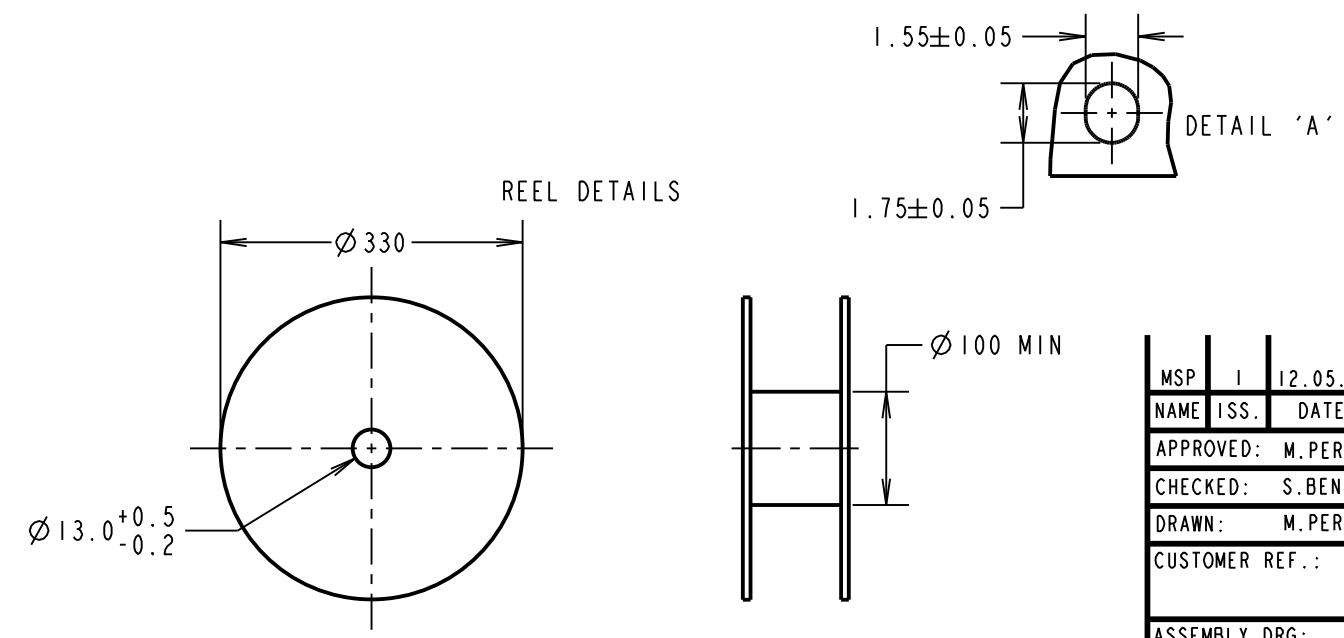
TAPE DETAILS FOR
08 & 10 WAY



ORDER CODE: **M22-654XX42R**
No. OF CONTACTS PER ROW: _____
02-06, 08, 10

- NOTES:
1. PRODUCT IS TAPE AND REELED IN GENERAL ACCORDANCE WITH EIA-481 (ELECTRONIC INDUSTRIES ASSOCIATION).
2. FOR CONNECTOR DETAILS AND SPECIFICATIONS, SEE SHEET 3.

| PART No. | DIMENSION | | | REEL QUANTITY |
|--------------|--------------|-------------|---------|---------------|
| | DIM 'A' | DIM 'B' | DIM 'C' | |
| M22-6540242R | 16.00 ± 0.30 | 7.50 ± 0.15 | 4.65 | 1300 |
| M22-6540342R | 24.00 | 11.50 | 6.65 | |
| M22-6540442R | | | 8.65 | |
| M22-6540542R | | | 10.65 | |
| M22-6540642R | | | 12.65 | |
| M22-6540842R | | | 16.65 | |
| M22-6541042R | 32.00 | 14.20 | 20.65 | |



| | | | |
|--------------------|------|----------|--------|
| MSP | 1 | 12.05.16 | ----- |
| NAME | ISS. | DATE | C/NOTE |
| APPROVED: M.PERREN | | | |
| CHECKED: S.BENNETT | | | |
| DRAWN: M.PERREN | | | |
| CUSTOMER REF.: | | | |
| ASSEMBLY DRG: | | | |

HARWIN
www.harwin.com
technical@harwin.com

THIS DRAWING AND ANY INFORMATION OR DESCRIPTIVE MATTER SET OUT HEREON ARE CONFIDENTIAL AND COPYRIGHT PROPERTY OF THE HARWIN GROUP AND MUST NOT BE DISCLOSED, LOANED, COPIED OR USED FOR MANUFACTURING, TENDERING OR FOR ANY OTHER PURPOSE WITHOUT THEIR WRITTEN PERMISSION.

TOLERANCES
X. = ±1mm
X.X = ±0.50mm
X.XX = ±0.10mm
X.XXX = ±0.01mm
ANGLES = ±5°
UNLESS STATED

MATERIAL: SEE ABOVE
FINISH: SEE ABOVE
S/AREA: mm²

TITLE:
2.00mm PITCH SIL HORIZONTAL SOCKET, SMT TAPE & REEL
DRAWING NUMBER:
M22-654XX42R
SHT 4 OF 4