



Chipsmall Limited consists of a professional team with an average of over 10 year of expertise in the distribution of electronic components. Based in Hongkong, we have already established firm and mutual-benefit business relationships with customers from,Europe,America and south Asia,supplying obsolete and hard-to-find components to meet their specific needs.

With the principle of "Quality Parts,Customers Priority,Honest Operation,and Considerate Service",our business mainly focus on the distribution of electronic components. Line cards we deal with include Microchip,ALPS,ROHM,Xilinx,Pulse,ON,Everlight and Freescale. Main products comprise IC,Modules,Potentiometer,IC Socket,Relay,Connector.Our parts cover such applications as commercial,industrial, and automotives areas.

We are looking forward to setting up business relationship with you and hope to provide you with the best service and solution. Let us make a better world for our industry!



## Contact us

Tel: +86-755-8981 8866 Fax: +86-755-8427 6832

Email & Skype: info@chipsmall.com Web: www.chipsmall.com

Address: A1208, Overseas Decoration Building, #122 Zhenhua RD., Futian, Shenzhen, China



# Customer Information Sheet

DRAWING No.: M22-655XX42R

SHEET 3 OF 4

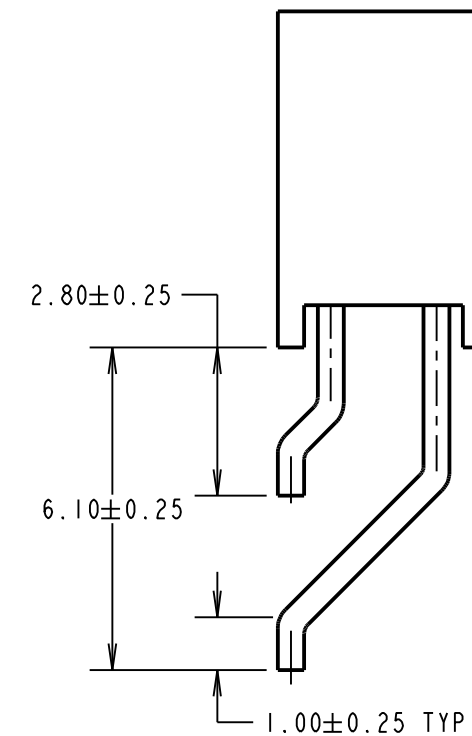
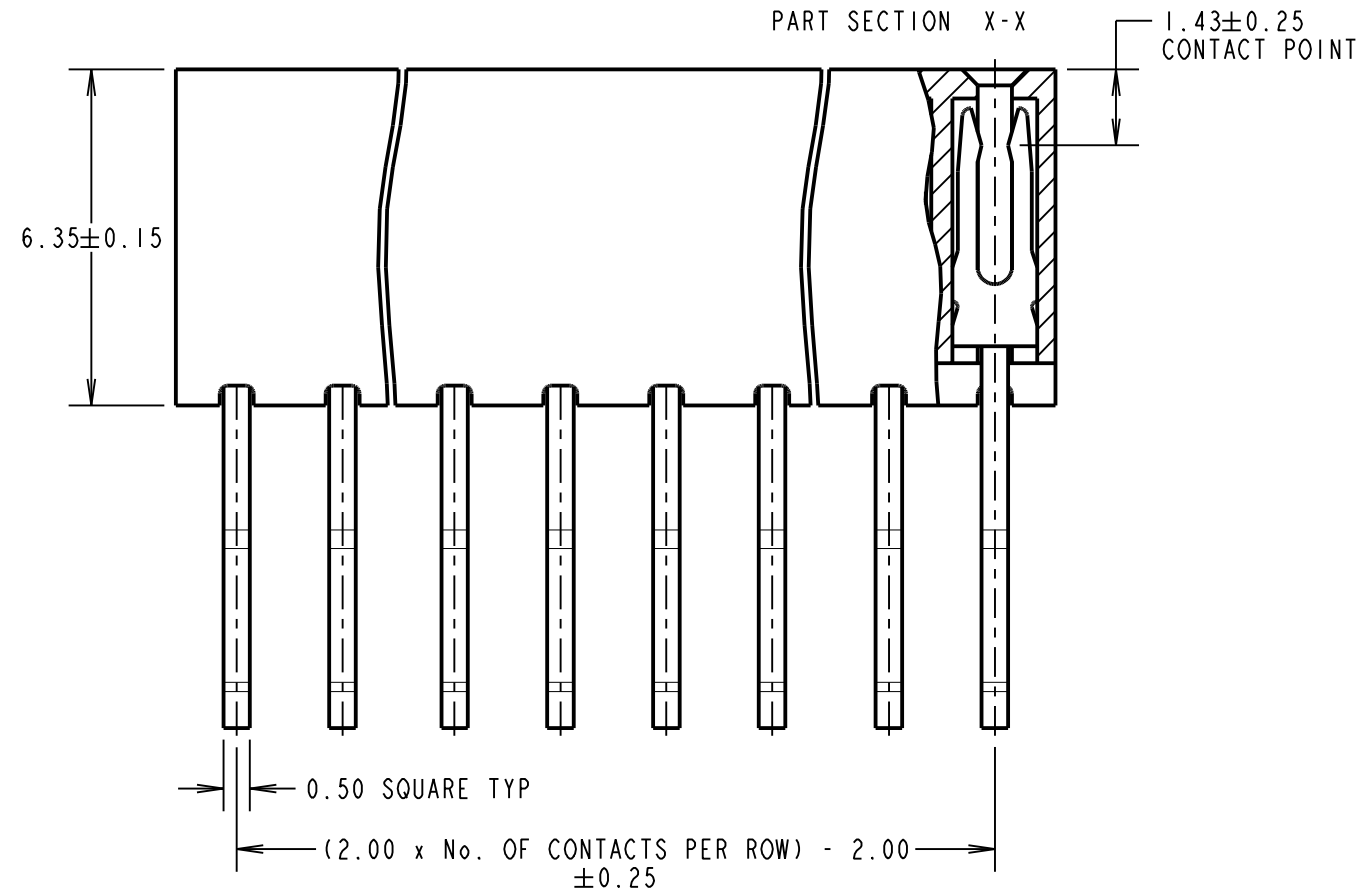
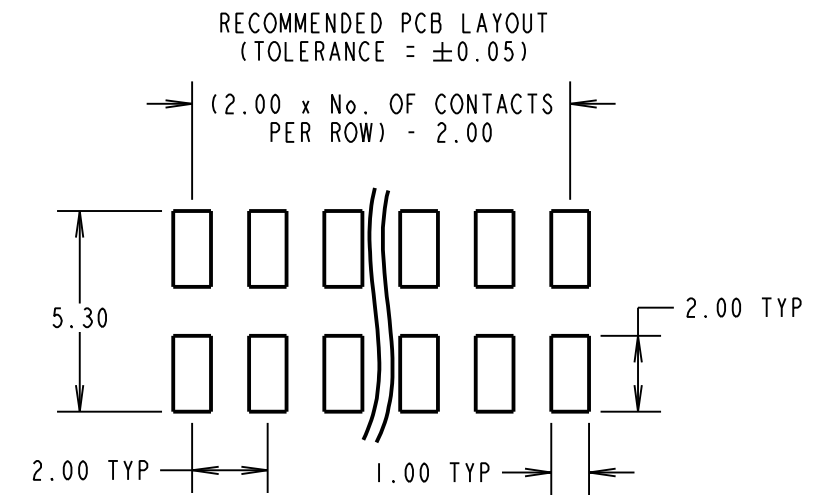
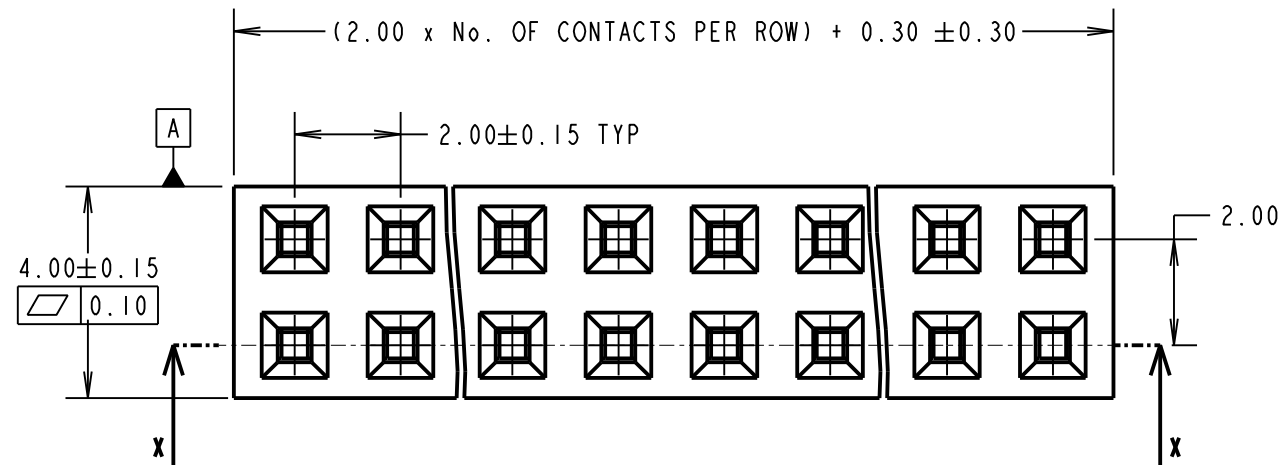
IF IN DOUBT - ASK

©

NOT TO SCALE

THIRD ANGLE PROJECTION

ALL DIMENSIONS IN mm



ORDER CODE: **M22-655XX42R**  
 No. OF CONTACTS PER ROW: 02-06, 08, 10

**COMPONENT SPECIFICATIONS:**

**MATERIAL:**  
 MOULD = GLASS FILLED LCP, UL94V-0  
 CONTACTS = PHOSPHOR BRONZE

**FINISH:**  
 CONTACT = 0.015µ MIN GOLD FLASH OVER  
 0.76-2.03µ NICKEL  
 TAIL = 2.03-5.08µ TIN OVER 0.76-2.03µ NICKEL

**ELECTRICAL:**  
 CURRENT RATING = 2A  
 CONTACT RESISTANCE = 20mΩ MAX  
 INSULATION RESISTANCE = 1000MΩ MIN  
 VOLTAGE PROOF = 500V AC FOR ONE MINUTE

**MECHANICAL:**  
 INSERTION FORCE = 1.96N MAX PER CONTACT  
 WITHDRAWAL FORCE = 0.19N MIN PER CONTACT  
 DURABILITY = 300 CYCLES MIN

**ENVIRONMENTAL:**  
 OPERATING TEMPERATURE = -40°C TO +105°C

**NOTES:**

- CONTACT LEG VARIATION ON COMPLETE ASSEMBLY NOT TO EXCEED 0.10mm.
- FOR TAPE AND REEL DETAILS, SEE SHEET 4.

MSP	1	16.05.16	-----
NAME	ISS.	DATE	C/NOTE
APPROVED:		M.PERREN	
CHECKED:		S.BENNETT	
DRAWN:		M.PERREN	
CUSTOMER REF.:			
ASSEMBLY DRG:			

**HARWIN**

www.harwin.com  
 technical@harwin.com

THIS DRAWING AND ANY INFORMATION OR DESCRIPTIVE MATTER SET OUT HEREON ARE CONFIDENTIAL AND COPYRIGHT PROPERTY OF THE HARWIN GROUP AND MUST NOT BE DISCLOSED, LOANED, COPIED OR USED FOR MANUFACTURING, TENDERING OR FOR ANY OTHER PURPOSE WITHOUT THEIR WRITTEN PERMISSION.

**TOLERANCES**  
 X. = ±1mm  
 X.X = ±0.50mm  
 X.XX = ±0.10mm  
 X.XXX = ±0.01mm  
 ANGLES = ±5°  
 UNLESS STATED

**MATERIAL:**  
 SEE ABOVE  
**FINISH:**  
 SEE ABOVE  
**S/AREA:**  
 mm<sup>2</sup>

**TITLE:**  
 2.00mm PITCH DIL HORIZONTAL SOCKET, SMT TAPE & REEL

**DRAWING NUMBER:**  
**M22-655XX42R**

SHT  
 3  
 OF  
 4

# Customer Information Sheet

DRAWING No.: M22-655XX42R

SHEET 4 OF 4

IF IN DOUBT - ASK

©

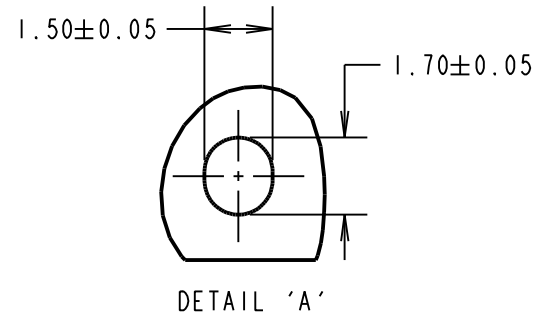
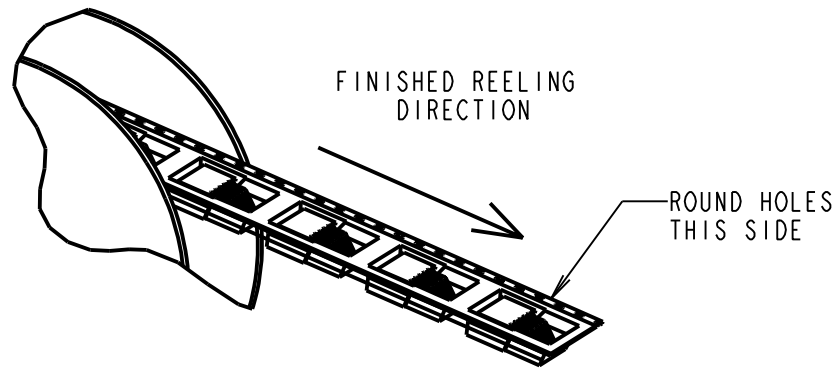
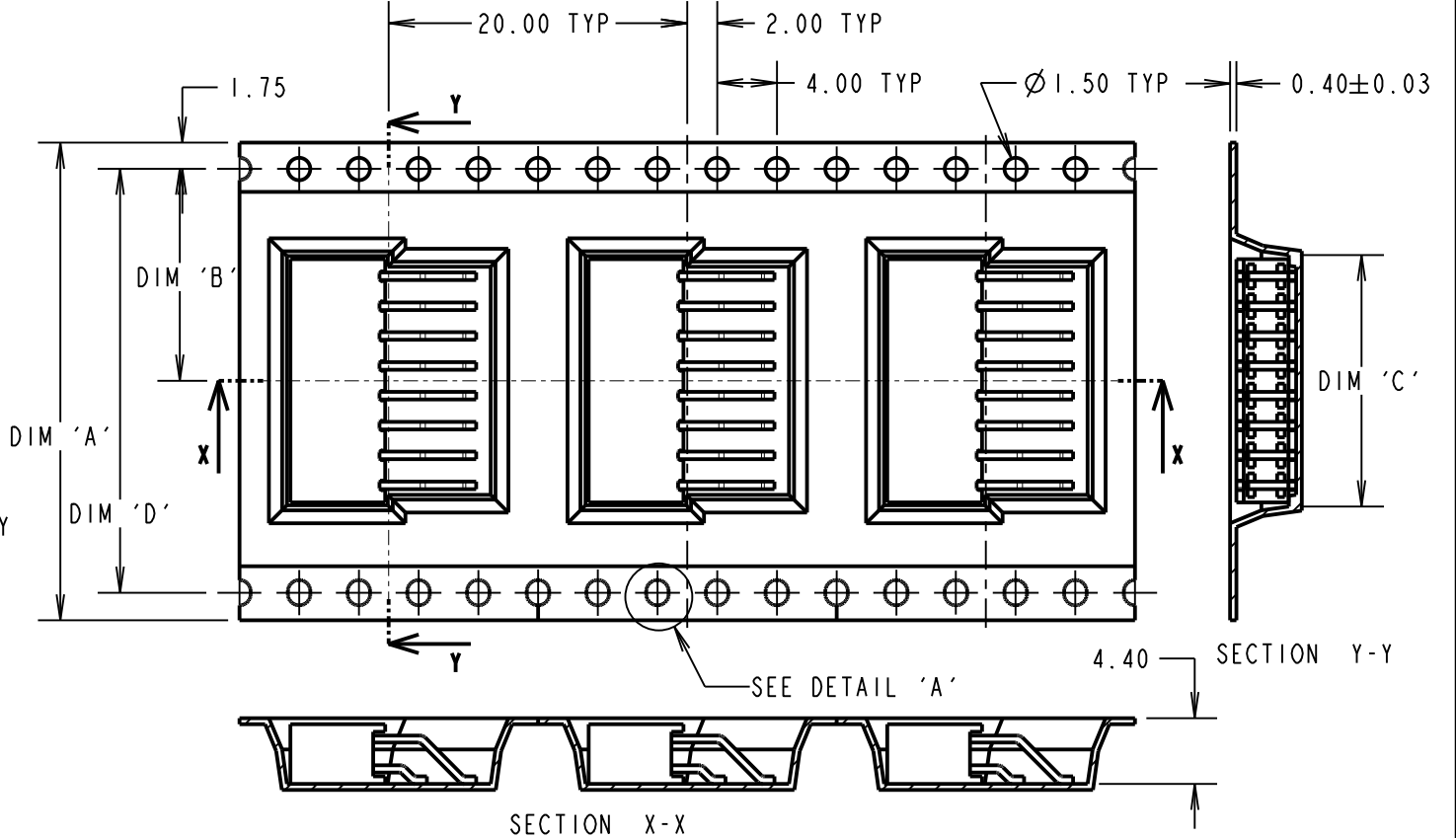
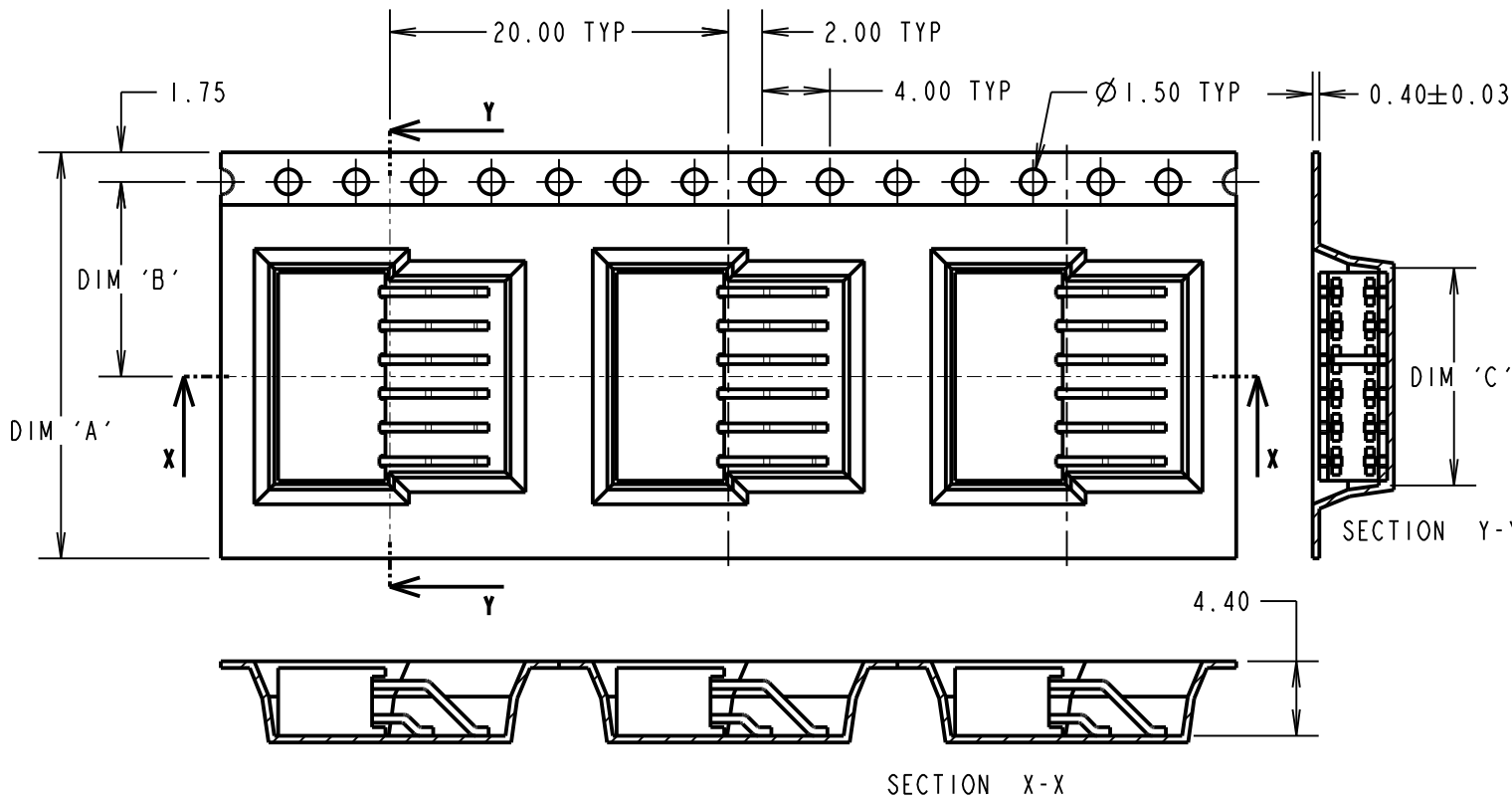
NOT TO SCALE

THIRD ANGLE PROJECTION

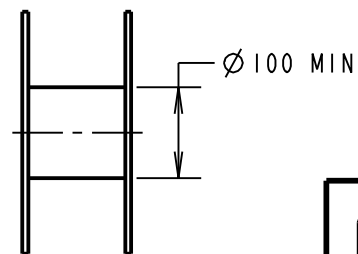
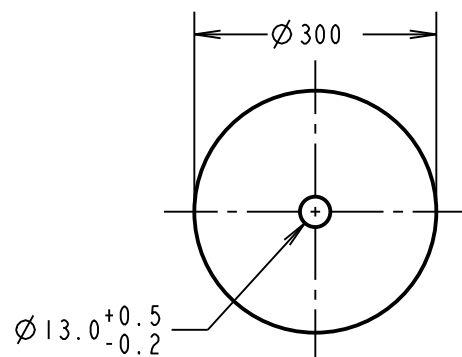
ALL DIMENSIONS IN mm

TAPE DETAILS FOR  
02, 03, 04, 05 & 06 WAYS ONLY

TAPE DETAILS FOR  
08 & 10 WAY ONLY



REEL DETAILS



PART No.	DIMENSION				REEL QUANTITY
	DIM 'A'	DIM 'B'	DIM 'C'	DIM 'D'	
M22-6550242R	16.00±0.30	7.50±0.15	4.70	N/A	750
M22-6550342R	24.00	11.50±0.15	6.70		
M22-6550442R			8.70		
M22-6550542R			10.70		
M22-6550642R			12.70		
M22-6650842R	32.00±0.30	14.20±0.15	16.70	28.40±0.15	
M22-6651042R	44.00±0.30	20.20±0.15	20.70	40.40	

- NOTES:  
1. PRODUCT IS TAPE AND REELED IN GENERAL ACCORDANCE WITH EIA-481 (ELECTRONIC INDUSTRIES ASSOCIATION).  
2. FOR CONNECTOR DETAILS AND SPECIFICATIONS, SEE SHEET 3.

MSP	1	16.05.16	-----
NAME	ISS.	DATE	C/NOTE
APPROVED: M.PERREN			
CHECKED: S.BENNETT			
DRAWN: M.PERREN			
CUSTOMER REF.:			
ASSEMBLY DRG:			

**HARWIN**

www.harwin.com  
technical@harwin.com

THIS DRAWING AND ANY INFORMATION OR DESCRIPTIVE MATTER SET OUT HEREON ARE CONFIDENTIAL AND COPYRIGHT PROPERTY OF THE HARWIN GROUP AND MUST NOT BE DISCLOSED, LOANED, COPIED OR USED FOR MANUFACTURING, TENDERING OR FOR ANY OTHER PURPOSE WITHOUT THEIR WRITTEN PERMISSION.

TOLERANCES  
X. = ±1mm  
X.X = ±0.50mm  
X.XX = ±0.10mm  
X.XXX = ±0.01mm  
ANGLES = ±5°  
UNLESS STATED

MATERIAL:  
SEE ABOVE  
FINISH:  
S/AREA: mm<sup>2</sup>

TITLE:  
2.00mm PITCH DIL HORIZONTAL SOCKET, SMT TAPE & REEL

DRAWING NUMBER:  
**M22-655XX42R**

SHT  
4  
OF  
4