



Chipsmall Limited consists of a professional team with an average of over 10 year of expertise in the distribution of electronic components. Based in Hongkong, we have already established firm and mutual-benefit business relationships with customers from,Europe,America and south Asia,supplying obsolete and hard-to-find components to meet their specific needs.

With the principle of “Quality Parts,Customers Priority,Honest Operation,and Considerate Service”,our business mainly focus on the distribution of electronic components. Line cards we deal with include Microchip,ALPS,ROHM,Xilinx,Pulse,ON,Everlight and Freescale. Main products comprise IC,Modules,Potentiometer,IC Socket,Relay,Connector.Our parts cover such applications as commercial,industrial, and automotives areas.

We are looking forward to setting up business relationship with you and hope to provide you with the best service and solution. Let us make a better world for our industry!



Contact us

Tel: +86-755-8981 8866 Fax: +86-755-8427 6832

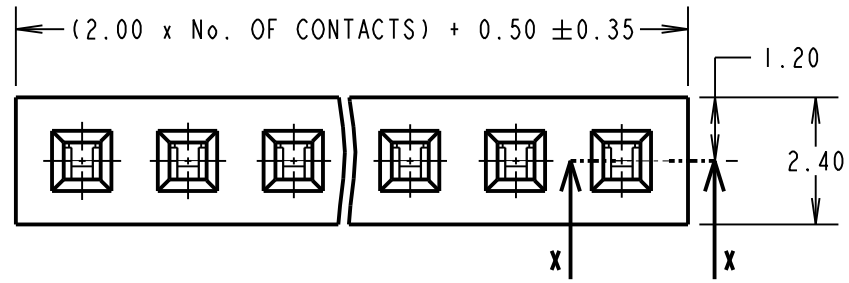
Email & Skype: info@chipsmall.com Web: www.chipsmall.com

Address: A1208, Overseas Decoration Building, #122 Zhenhua RD., Futian, Shenzhen, China



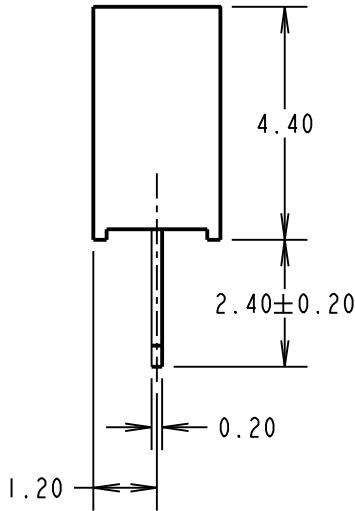
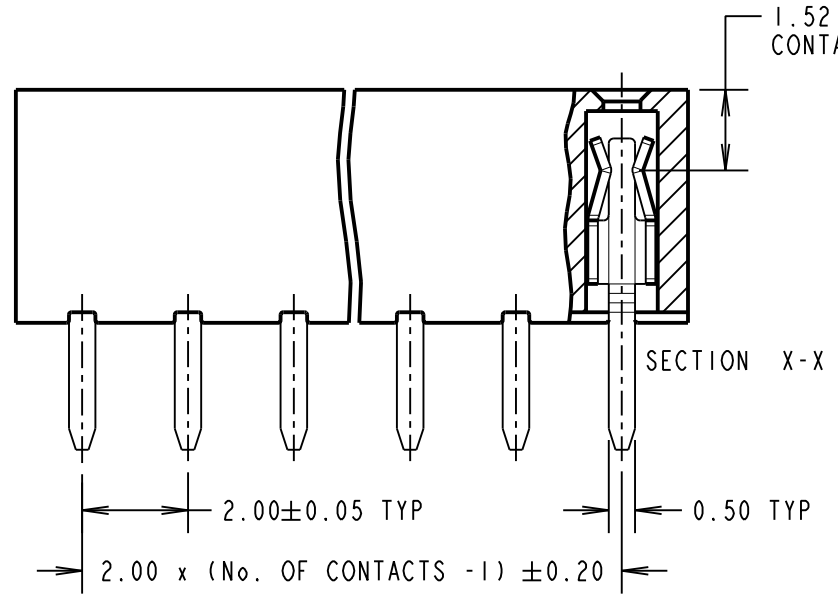
Customer Information Sheet

DRAWING No.: M22-713XXXX SHEET 2 OF 2 IF IN DOUBT - ASK (C) NOT TO SCALE THIRD ANGLE PROJECTION ALL DIMENSIONS IN mm

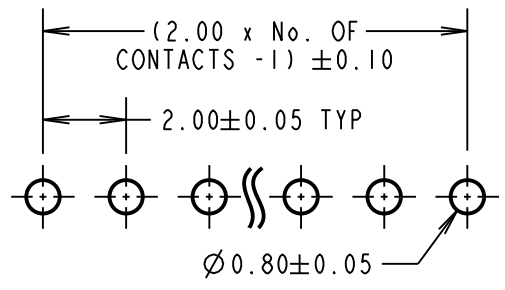


ORDER CODE:
M22-713XX42
 No. OF CONTACTS: _____
 03 TO 20 & 25
 FINISH: _____
 42 = GOLD FLASH ON CONTACT,
 100% TIN ON TAILS

SPECIFICATION:
 MATERIAL:
 MOULDING = LCP UL94V-0, BLACK
 CONTACTS = PHOSPHOR BRONZE
 FINISH: (OVER NICKEL)
 42 = 0.76 - 1.27µ NICKEL ALL OVER,
 GOLD ON CONTACT AREA,
 2.54µ 100% TIN ON TAILS
 MECHANICAL:
 DURABILITY = 5000 CYCLES MAX
 INSERTION FORCE = 2N MAX PER PIN
 WITHDRAWAL FORCE = 0.2N MIN PER PIN
 ELECTRICAL:
 CURRENT RATING = 2A AC/DC
 CONTACT RESISTANCE = 20mΩ MAX
 INSULATION RESISTANCE = 1000MΩ MIN
 DIELECTRIC WITHSTANDING = 500V AC FOR 1 MIN
 ENVIRONMENTAL:
 TEMPERATURE RANGE = -25° TO +105°
 PACKING:
 TUBE
 FOR COMPLETE SPECIFICATION SEE COMPONENT
 SPECIFICATION C018XX (LATEST ISSUE)



NOTE:
 1. ALL TOLERANCES ARE ± 0.15 , UNLESS OTHERWISE STATED.



MSP	9	26.10.16	13421
NAME	ISS.	DATE	C/NOTE
APPROVED:			
CHECKED:			
DRAWN:		J. EVANS	
CUSTOMER REF.:			
ASSEMBLY DRG:			



www.harwin.com
 technical@harwin.com

THIS DRAWING AND ANY INFORMATION OR DESCRIPTIVE MATTER SET OUT HEREON ARE CONFIDENTIAL AND COPYRIGHT PROPERTY OF THE HARWIN GROUP AND MUST NOT BE DISCLOSED, LOANED, COPIED OR USED FOR MANUFACTURING, TENDERING OR FOR ANY OTHER PURPOSE WITHOUT THEIR WRITTEN PERMISSION.

TOLERANCES
 X = ± 1 mm
 X.X = ± 0.50 mm
 X.XX = ± 0.10 mm
 X.XXX = ± 0.01 mm
 ANGLES = $\pm 5^\circ$
 UNLESS STATED

MATERIAL: SEE ABOVE
 FINISH: SEE ABOVE
 S/AREA: mm²

TITLE: 2.00mm PITCH SIL VERTICAL SOCKET ASSEMBLY
 DRAWING NUMBER: M22-713XXXX
 SHT 2 OF 2