



Chipsmall Limited consists of a professional team with an average of over 10 year of expertise in the distribution of electronic components. Based in Hongkong, we have already established firm and mutual-benefit business relationships with customers from,Europe,America and south Asia,supplying obsolete and hard-to-find components to meet their specific needs.

With the principle of "Quality Parts,Customers Priority,Honest Operation,and Considerate Service",our business mainly focus on the distribution of electronic components. Line cards we deal with include Microchip,ALPS,ROHM,Xilinx,Pulse,ON,Everlight and Freescale. Main products comprise IC,Modules,Potentiometer,IC Socket,Relay,Connector.Our parts cover such applications as commercial,industrial, and automotives areas.

We are looking forward to setting up business relationship with you and hope to provide you with the best service and solution. Let us make a better world for our industry!



Contact us

Tel: +86-755-8981 8866 Fax: +86-755-8427 6832

Email & Skype: info@chipsmall.com Web: www.chipsmall.com

Address: A1208, Overseas Decoration Building, #122 Zhenhua RD., Futian, Shenzhen, China

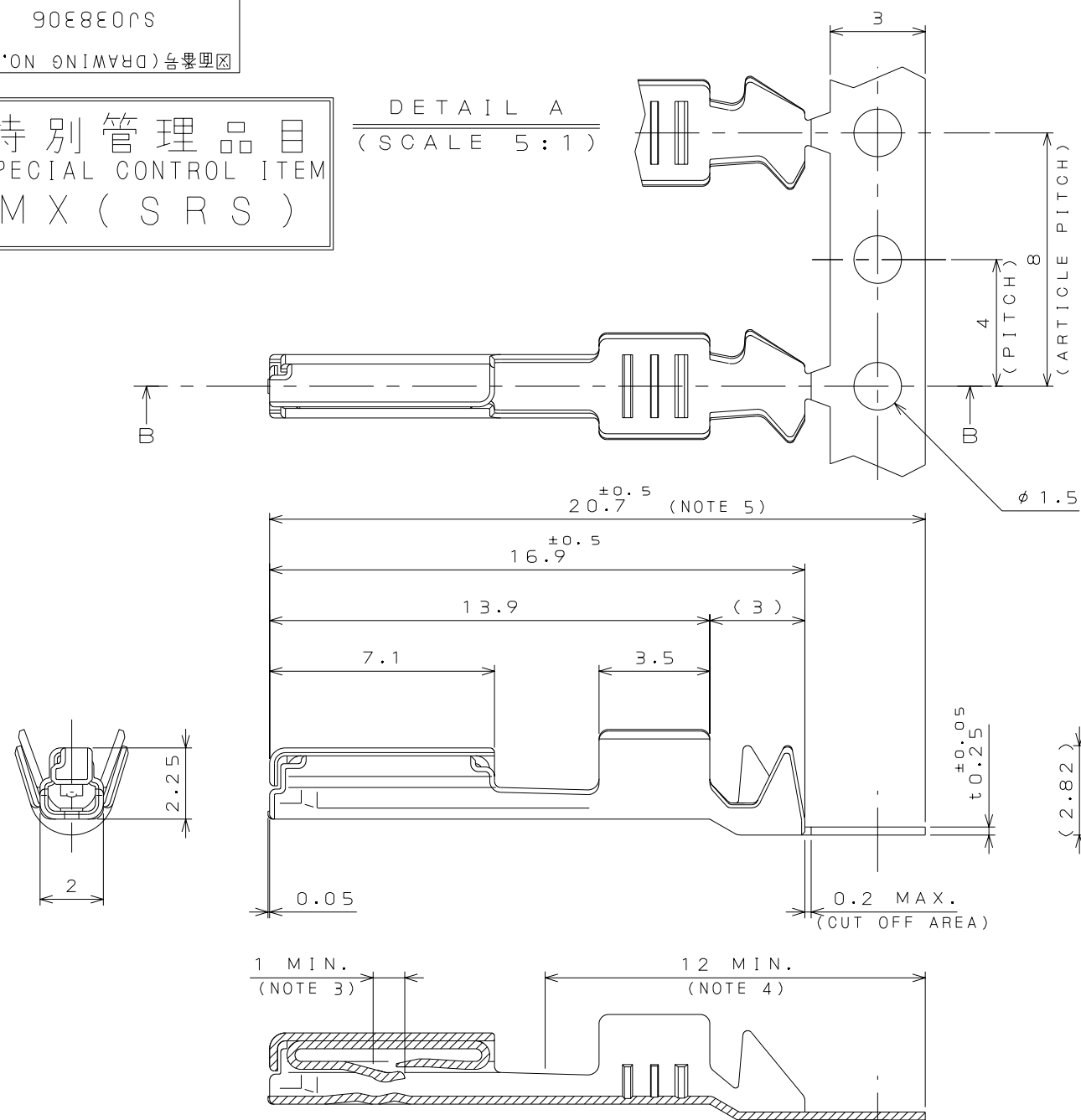


90E8E0RS

('ON ΘNIMVHD) 台 機 理 図

特別管理品目
SPECIAL CONTROL ITEM
MX (S R S)

DETAIL A
(SCALE 5 : 1)



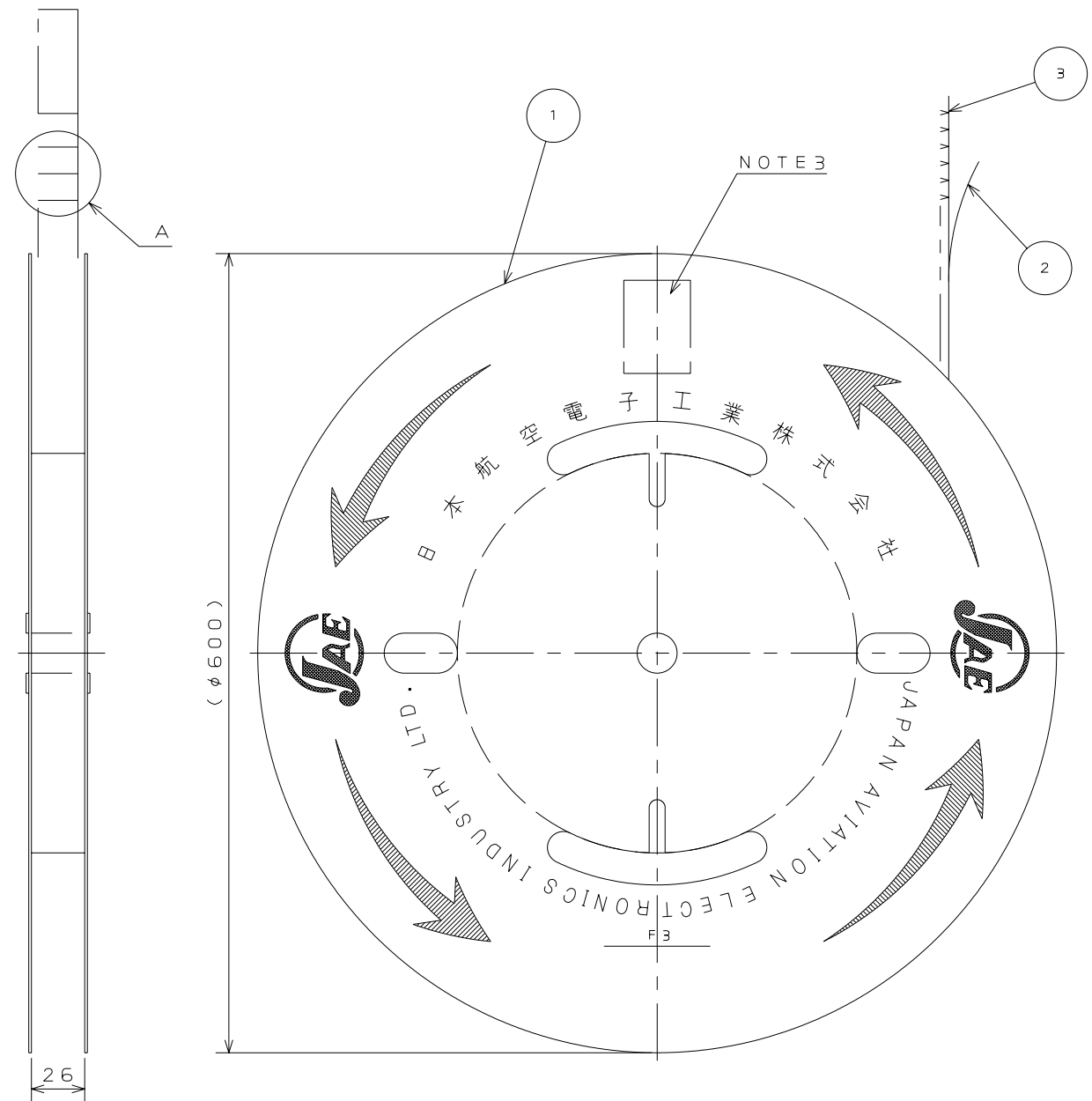
SECT. B-B

- NOTE 1. APPLICABLE STRANDED WIRE WITH CALCULATED AREA 0.5~1.25mm² AND OVERALL FINISHED DIAMETER φ 1.6~φ 2.1 (AVSS0.5sq~AVSS1.25sq)
- NO PLATING ON THE SHEARED EDGES OF TERMINAL.
 - GOLD PLATING AREA ON THE INNER SIDE IS SHOWN.
 - TIN OR TIN-COPPER PLATING AREA IS SHOWN.
 - BASE NICKEL PLATING AREA IS SHOWN.
 - ITEM NAME AND QUANTITY ARE SHOWN.

- 注1. 使用電線は、導体断面積0.5~1.25mm² 被覆外径φ 1.6~φ 2.1の燃線とする。
(AVSS0.5sq~AVSS1.25sq)
- 断面に、メッキは付かない。
 - 内面部分金メッキ範囲を示す。
 - 部分スズメッキ或いは部分スズ-銅メッキ範囲を示す。
 - 下地ニッケルメッキ範囲を示す。
 - 現品票により数量5000及び品名を表示する。

REFERENCE ONLY
JAE

版数 REV.	年月日 DATE	DCN NO.	変更内容 DESCRIPTION	製図 DR.	担当 CHK.	査閲 APPD.	承認 APPD.
2	14.Mar.2003	51699	CHANGE FORM		M.WATANABE		T.TOTANI



3	SOCKET CONTACT	5000	HIGH CONDUCTIVITY COPPER ALLOY	NOTE 3~5	
2	TAPE	1	PAPER		
1	REEL	1	PAPER		
符号 NO.	名称 DESCRIPTION	個数 QTY.	材料 MATERIAL	仕上 FINISH	備考 REMARKS
仕様書 (SPECIFICATION) JACS-1686-3 JAHL-1686-1		第1版 (ORIGINAL DATE) 12.Feb.2003		尺度 (SCALE) 1:5	シリーズ (SERIES) MX23
一般公差 (GENERAL TOLERANCE)		製図 DR.	名称 (TITLE) M23S05K3Q1		
寸法 (DIMENSION)		担当 CHK.	GOLD PLATING SOCKET CONTACT		
. ± 0.8		査閲 APPD.	重量 (WEIGHT)		
.X ± 0.4		承認 APPD.	T.TOTANI		
.XX ± 0.1			JAE		
.XXX ±			日本航空電子工業株式会社 JAPAN AVIATION ELECTRONICS INDUSTRY, LTD.		
					図面番号 (DRAWING NO.) SJ038306
					版数 (REV.) 2