



Chipsmall Limited consists of a professional team with an average of over 10 year of expertise in the distribution of electronic components. Based in Hongkong, we have already established firm and mutual-benefit business relationships with customers from,Europe,America and south Asia,supplying obsolete and hard-to-find components to meet their specific needs.

With the principle of “Quality Parts,Customers Priority,Honest Operation,and Considerate Service”,our business mainly focus on the distribution of electronic components. Line cards we deal with include Microchip,ALPS,ROHM,Xilinx,Pulse,ON,Everlight and Freescale. Main products comprise IC,Modules,Potentiometer,IC Socket,Relay,Connector.Our parts cover such applications as commercial,industrial, and automotives areas.

We are looking forward to setting up business relationship with you and hope to provide you with the best service and solution. Let us make a better world for our industry!



Contact us

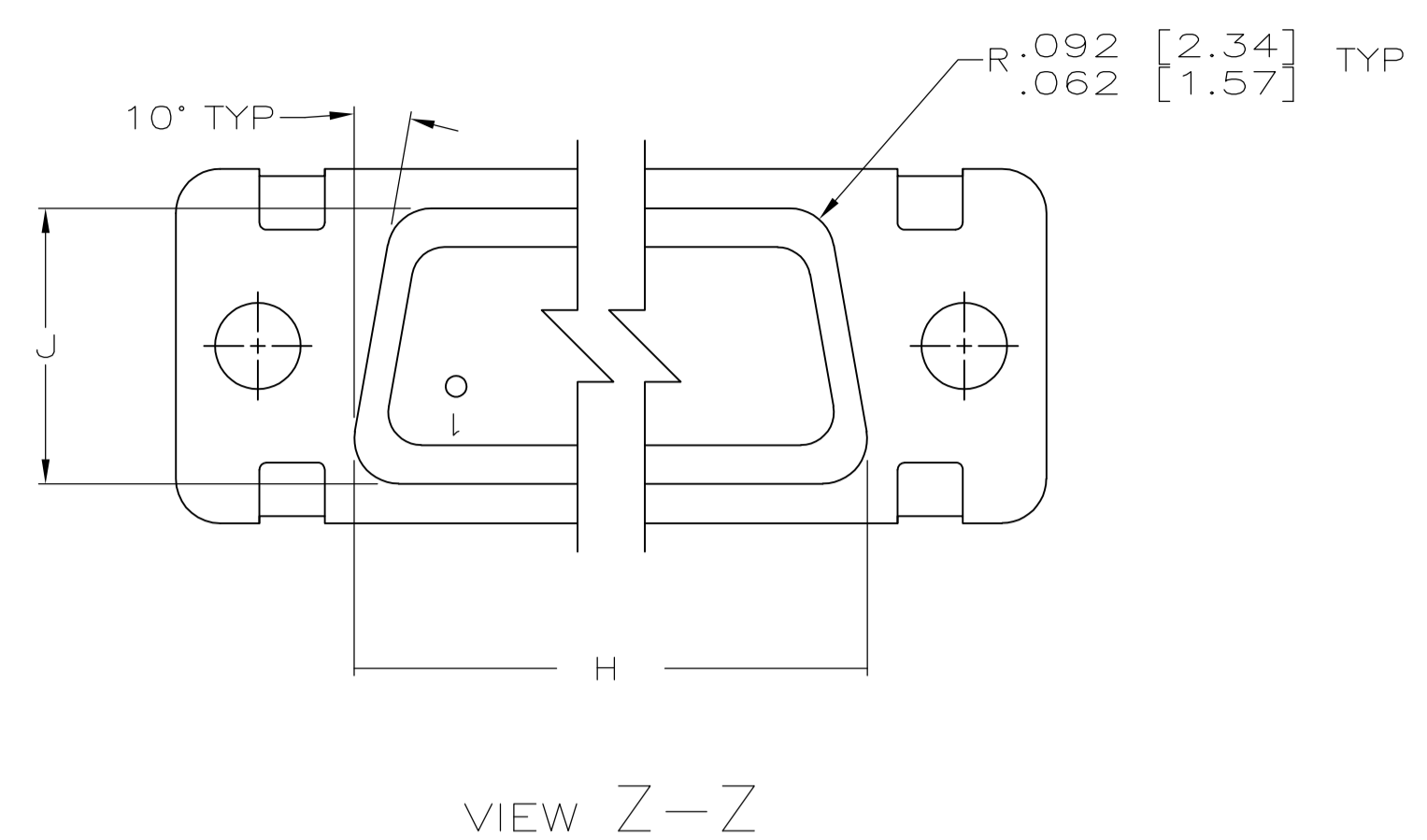
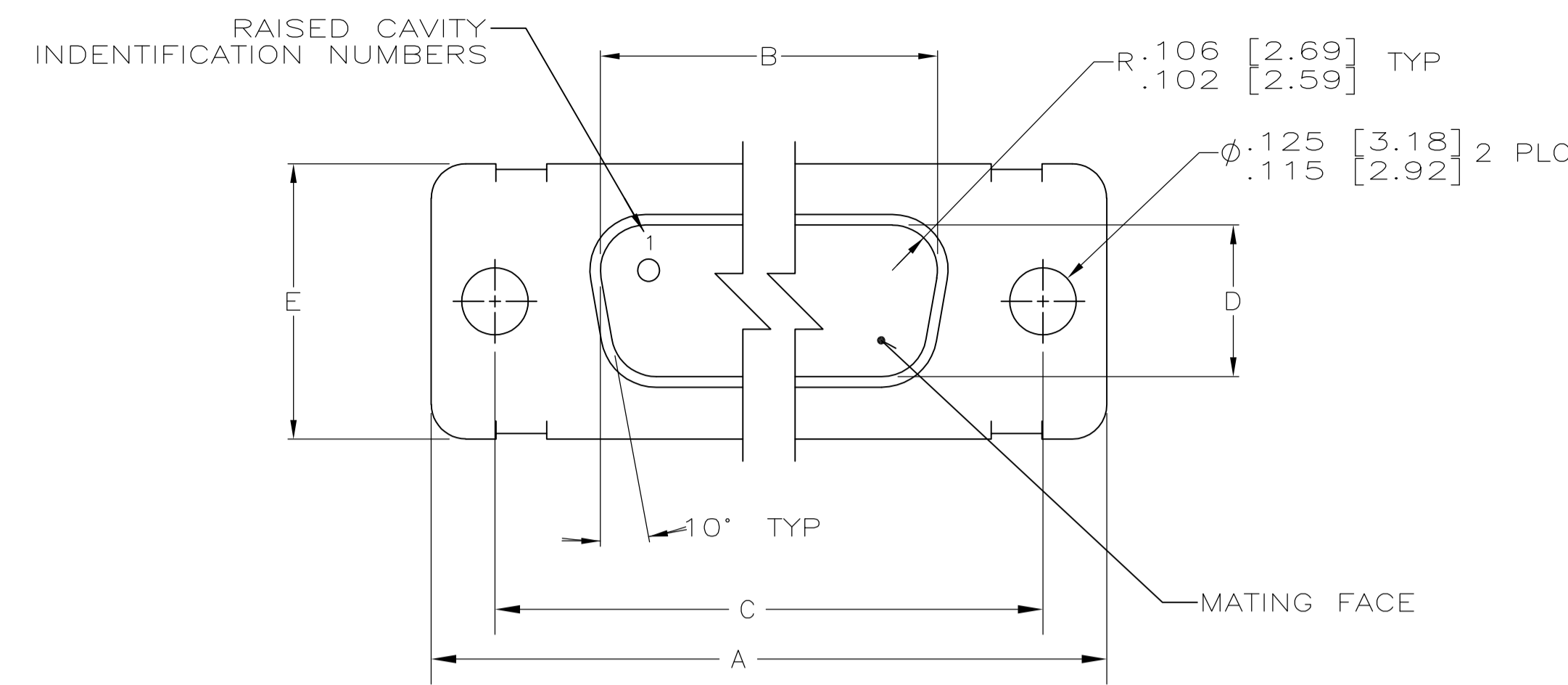
Tel: +86-755-8981 8866 Fax: +86-755-8427 6832

Email & Skype: info@chipsmall.com Web: www.chipsmall.com

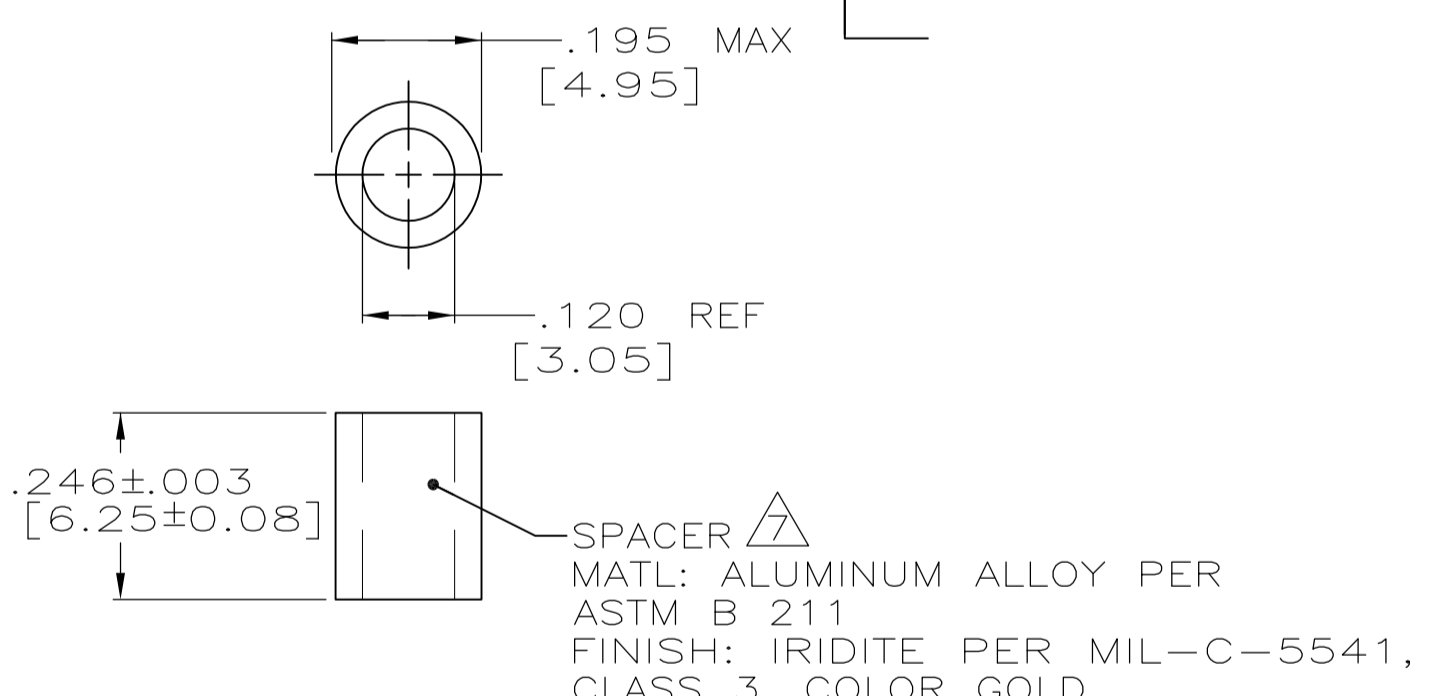
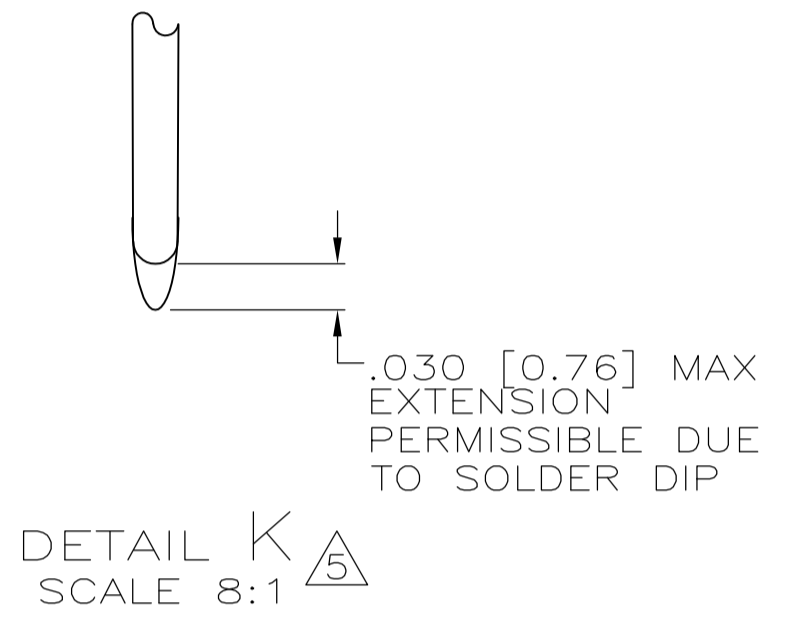
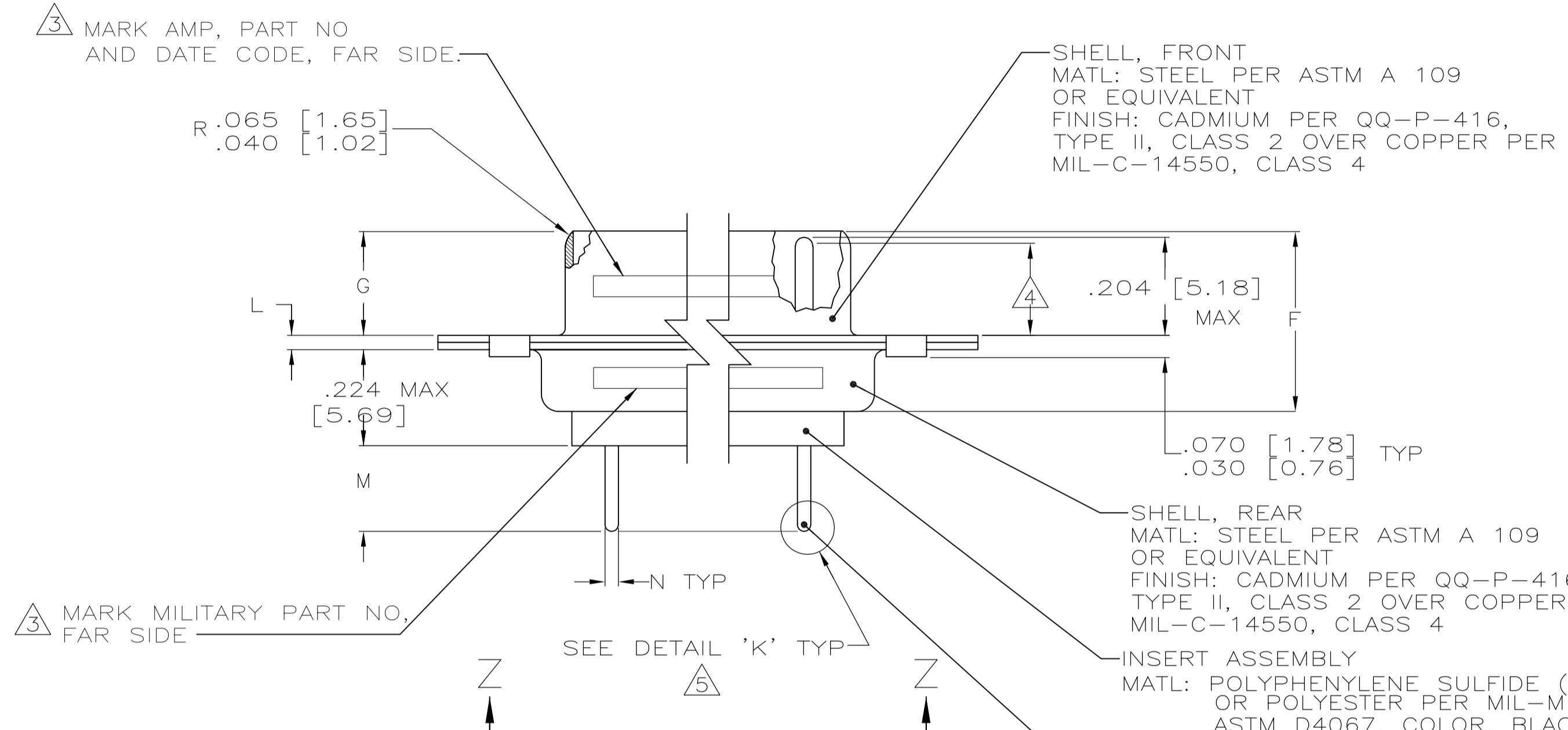
Address: A1208, Overseas Decoration Building, #122 Zhenhua RD., Futian, Shenzhen, China



REVISED PER		ECO-11-005030	11MAR11	RK	HMR
LOC	DIST				
P	LTR				



1. SEE SHEET 2 FOR RECOMMENDED P.C. BOARD LAYOUT. TRUE POSITION TOLERANCE FOR P.C. BOARD LAYOUT IS .010 [0.25] AT MAX MATERIAL CONDITION. SUGGESTED BOARD THICKNESS IS .094 [2.39]
2. THE CONNECTORS DESCRIBED IN THIS DOCUMENT MEET THE REQUIREMENTS OF MIL-C-24308 AND MATE WITH ANY RECEPTACLE CONNECTOR WITH SAME INSERT ARRANGEMENT.
3. MARK WITH .047 [1.19]-.062 [1.57] HIGH CHARACTERS. FAR SIDE REFERS TO THE WIDE SIDE OF THE KEYSTONE. NEAR SIDE REFERS TO THE NARROW SIDE OF THE KEYSTONE. IF THE REAR SHELL IS TOO SMALL FOR THE ENTIRE MILITARY PART NUMBER, MARKING SHALL BE LOCATED AS FOLLOWS:
 - A. "M24308" ON FRONT SHELL, FAR SIDE.
 - B. SLASH SHEET AND DASH NUMBER ON REAR SHELL, FAR SIDE.
 - C. "AMP" AND DATE CODE ON FRONT SHELL, NEAR SIDE.
 - D. PART NUMBER ON REAR SHELL, NEAR SIDE.
 IF THE FRONT SHELL IS TOO SMALL FOR "AMP", PART NUMBER AND DATE CODE, THEN SPLIT AS FOLLOWS:
 - A. PART NUMBER ON REAR SHELL, NEAR SIDE.
 - B. "AMP" AND DATE CODE ON FRONT SHELL, NEAR SIDE.
 - C. MILITARY PART NUMBER ON REAR SHELL, FAR SIDE.



4. REQUIREMENT FOR FULL PIN DIAMETER EXTENSION:
 - .159 [4.04] MIN, SHELL SIZES 1 AND 2.
 - .150 [3.81] MIN, SHELL SIZES 3, 4, AND 5.
5. SOLDER DIP PER MIL-STD-2000 COMPOSITION Sn63 CONFORMING TO QQ-S-571. COVERAGE SHALL BE COMPLETE TO A DISTANCE .020 [0.51] MAX FROM INSERT ASSEMBLY.
6. THE SOLDER DIP PROCESS IS PERFORMED SUBSEQUENT TO THE COMPLETION OF PRODUCTION OF THE MILITARY QUALIFIED CONNECTOR. DIMENSIONS APPLY PRIOR TO SOLDER DIPPING.
7. SPACERS (QTY 2) ARE SUPPLIED WITH CONNECTORS (NOT ATTACHED TO THE CONNECTOR).
8. DIMENSIONS AND TOLERANCES PER ANSI Y14.5M-1982.
9. THIS DRAWING SHALL BE INTERPRETED IN ACCORDANCE WITH APPLICABLE STANDARDS LISTED IN MIL-STD-100.

N	M	L	J	H	G	F	E	D	C	B	A	INSERT ARRANGEMENT	NO OF POS	SHELL SIZE	MILITARY P/N ON CONNECTOR	P/N ON CONNECTOR	PART NUMBER		
			.544 [13.82] .524 [13.31]	2.188-55.58 2.168 [55.07]		.236 [5.99] .224 [5.69]	.436 [11.07] .416 [10.57]		.620 [15.75] .590 [14.99]	.446 [11.33] .436 [11.07]	2.411 [61.24] 2.401 [60.99]	2.084 [52.93] 2.074 [52.68]	2.650 [67.31] 2.620 [66.55]	MS18277-1	50	5	M24308/24-11F	1218125-5	1-1218125-0
		.049 [1.24] .029 [0.74]		2.282-57.96 2.262 [57.45]							2.505 [63.63] 2.495 [63.37]	2.187 [55.55] 2.177 [55.30]	2.744 [69.70] 2.714 [68.94]	MS18276-1	37	4	M24308/24-10F	1218125-4	1218125-9
			.432 [10.97] .412 [10.46]	1.635-41.53 1.615 [41.02]					.509 [12.93] .479 [12.17]	.334 [8.48] .324 [8.23]	1.857 [47.17] 1.847 [46.91]	1.539 [39.09] 1.529 [38.84]	2.103 [53.42] 2.073 [52.65]	MS18275-1	25	3	M24308/24-9F	1218125-3	1218125-8
		.040 [1.02] .020 [0.51]		1.093-27.76 1.073 [27.25]		.238 [6.05] .229 [5.82]	.432 [10.97] .412 [10.46]				1.317 [33.45] 1.307 [33.20]	.999 [25.37] .989 [25.12]	1.556 [39.52] 1.526 [38.76]	MS18274-1	15	2	M24308/24-8F	1218125-2	1218125-7
				.769 [19.53] .749 [19.02]							.989 [25.12] .979 [24.87]	.671 [17.04] .661 [16.79]	1.228 [31.19] 1.198 [30.43]	MS18273-1	9	1	M24308/24-7F	1218125-1	1218125-6
	.033 [0.84] .027 [0.69]	.208 [5.28] .168 [4.27]																	
		.049 [1.24] .029 [0.74]		2.282-57.96 2.262 [57.45]		.236 [5.99] .224 [5.69]	.436 [11.07] .416 [10.57]				2.505 [63.63] 2.495 [63.37]	2.187 [55.55] 2.177 [55.30]	2.744 [69.70] 2.714 [68.94]	MS18276-1	37	4	M24308/24-10F	1218125-4	1218125-4
			.432 [10.97] .412 [10.46]	1.635-41.53 1.615 [41.02]					.509 [12.93] .479 [12.17]	.334 [8.48] .324 [8.23]	1.857 [47.17] 1.847 [46.91]	1.539 [39.09] 1.529 [38.84]	2.103 [53.42] 2.073 [52.65]	MS18275-1	25	3	M24308/24-9F	1218125-3	1218125-3
		.040 [1.02] .020 [0.51]		1.093-27.76 1.073 [27.25]		.238 [6.05] .229 [5.82]	.432 [10.97] .412 [10.46]				1.317 [33.45] 1.307 [33.20]	.999 [25.37] .989 [25.12]	1.556 [39.52] 1.526 [38.76]	MS18274-1	15	2	M24308/24-8F	1218125-2	1218125-2
				.769 [19.53] .749 [19.02]							.989 [25.12] .979 [24.87]	.671 [17.04] .661 [16.79]	1.228 [31.19] 1.198 [30.43]	MS18273-1	9	1	M24308/24-7F	1218125-1	1218125-1

THIS DRAWING IS A CONTROLLED DOCUMENT.

APPROVED BY: YEAGER, 30DEC97

DESIGNED BY: WYNKOOP, 30DEC97

DATE: 30DEC97

SCALE: 4:1

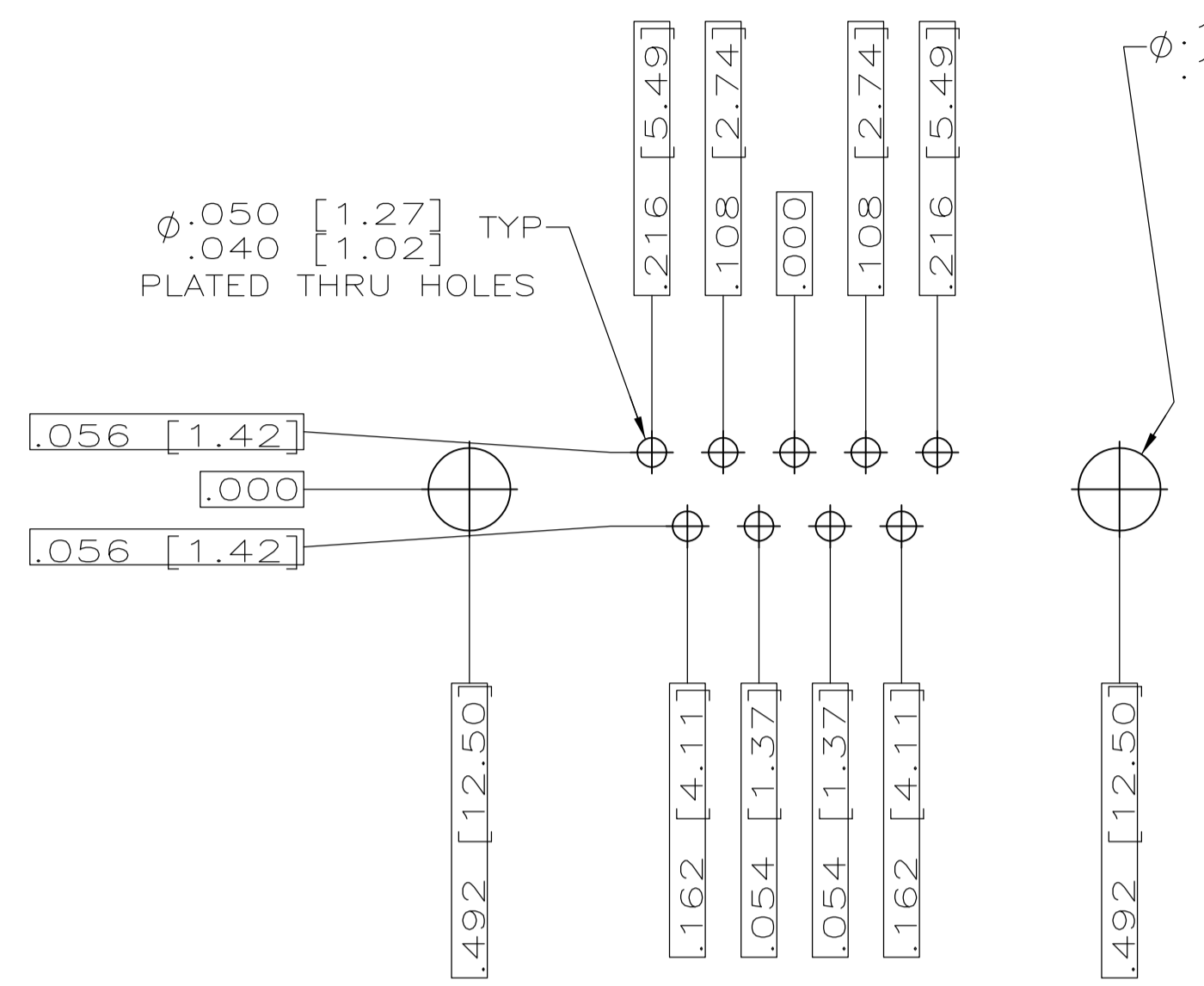
SHEET 1 OF 2

REV F1

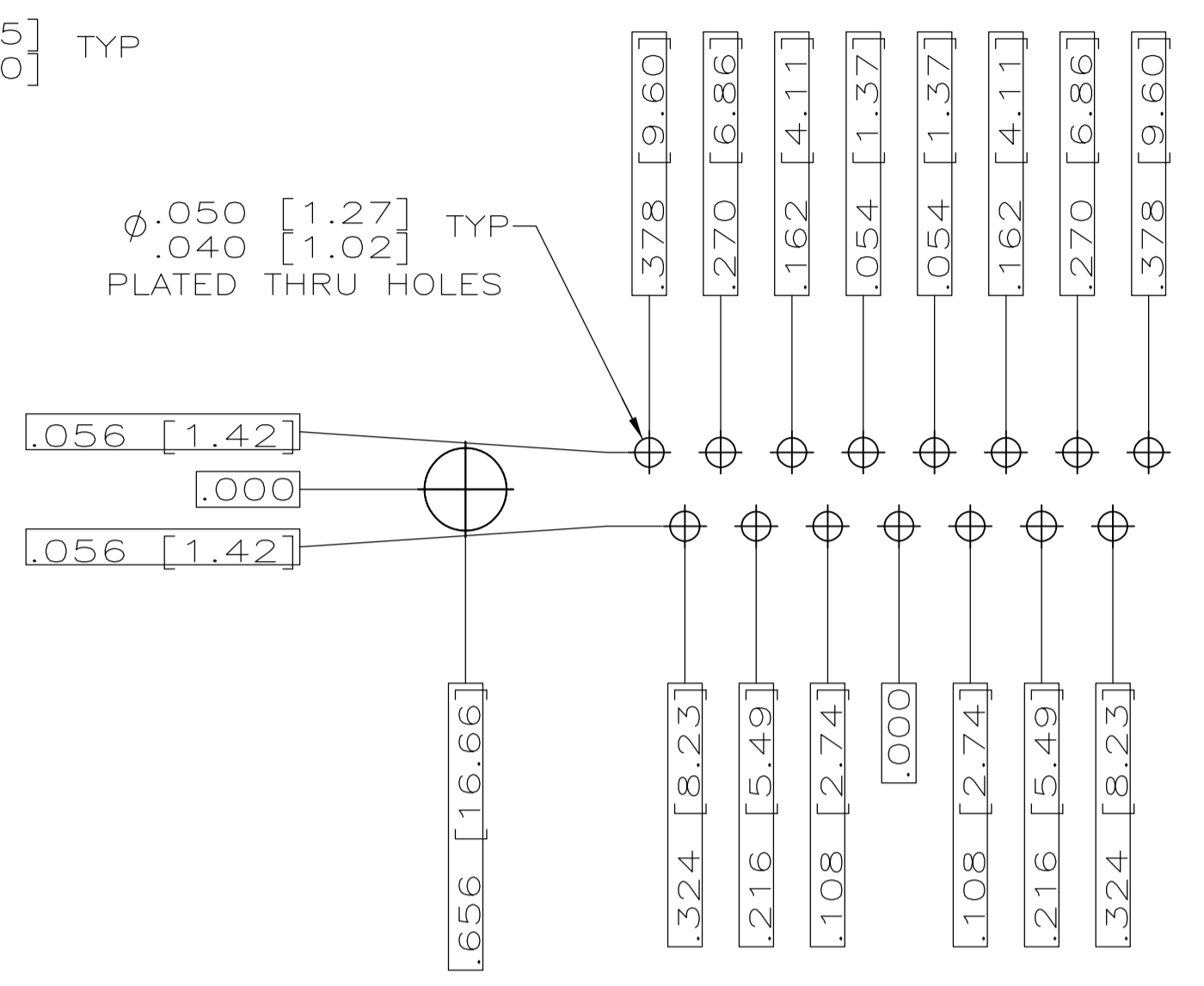
CUSTOMER DRAWING

AMPLIMITE PLUG ASSY, LOW PROFILE SIZE 20 POSTED, .030 DIA LONG POST SERIES 109, SHELL SIZES 1 THRU 5

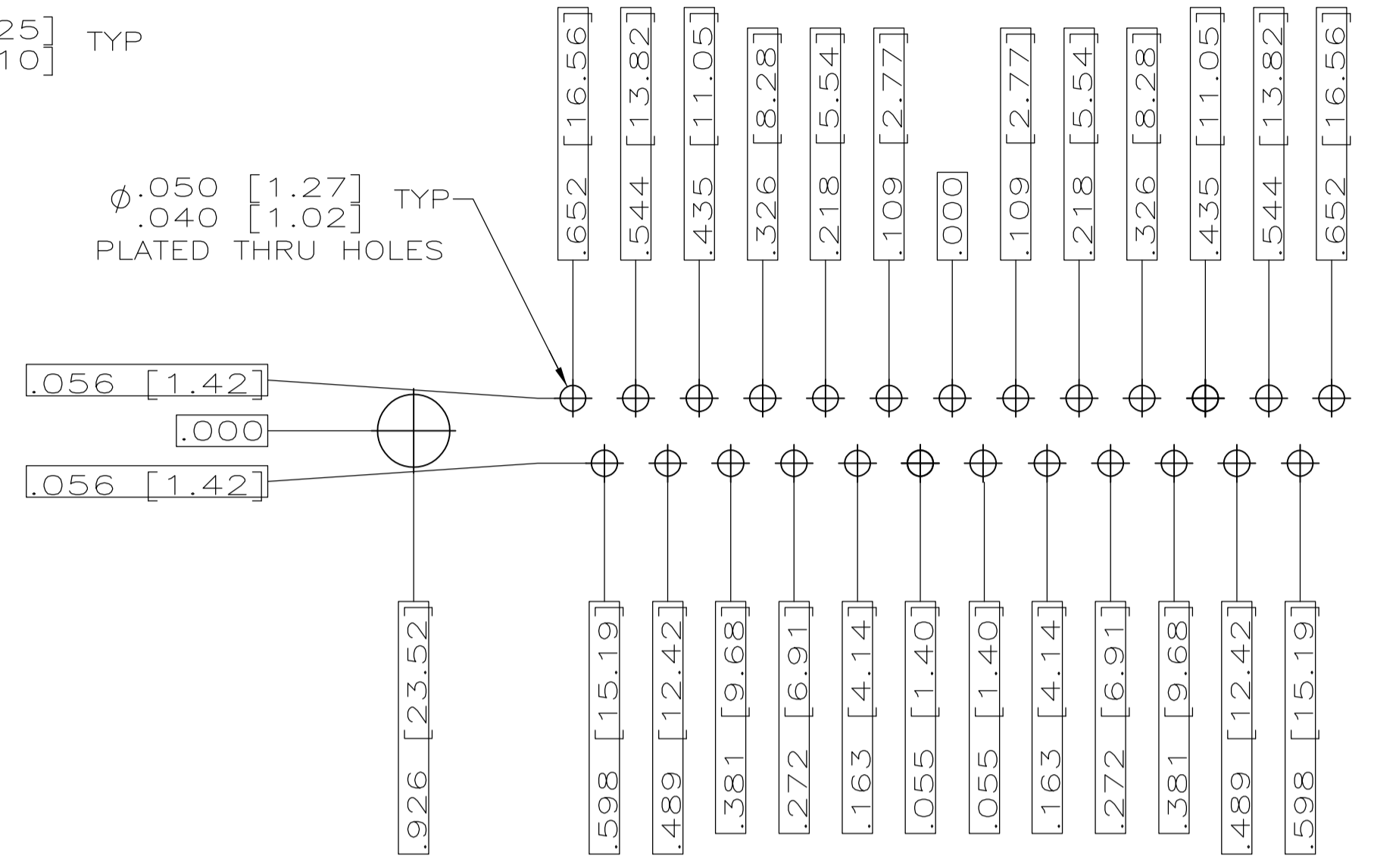
STC TE Connectivity



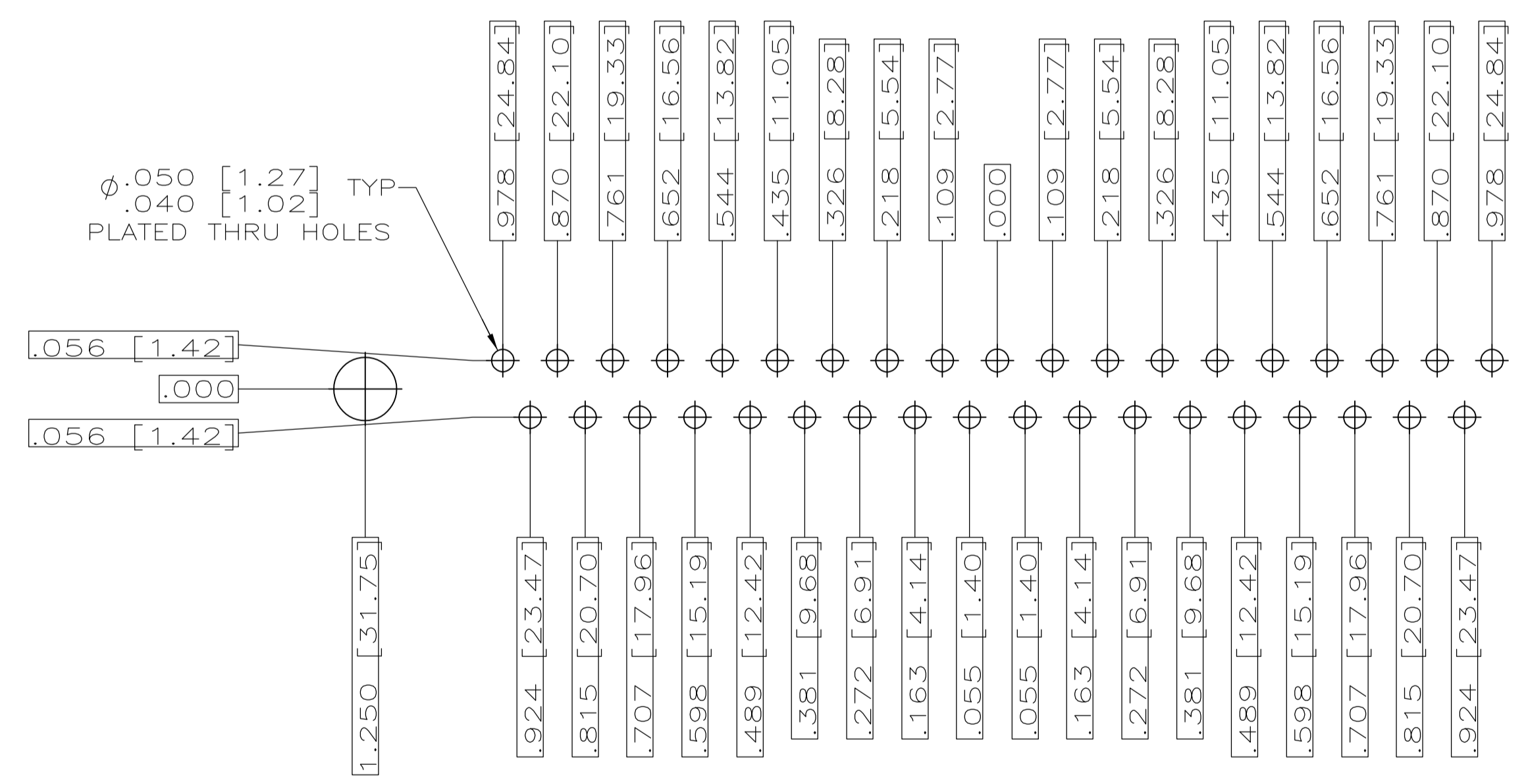
RECOMMENDED P.C. BOARD LAYOUT
SHELL SIZE 1 (9 POSITION) Δ 1



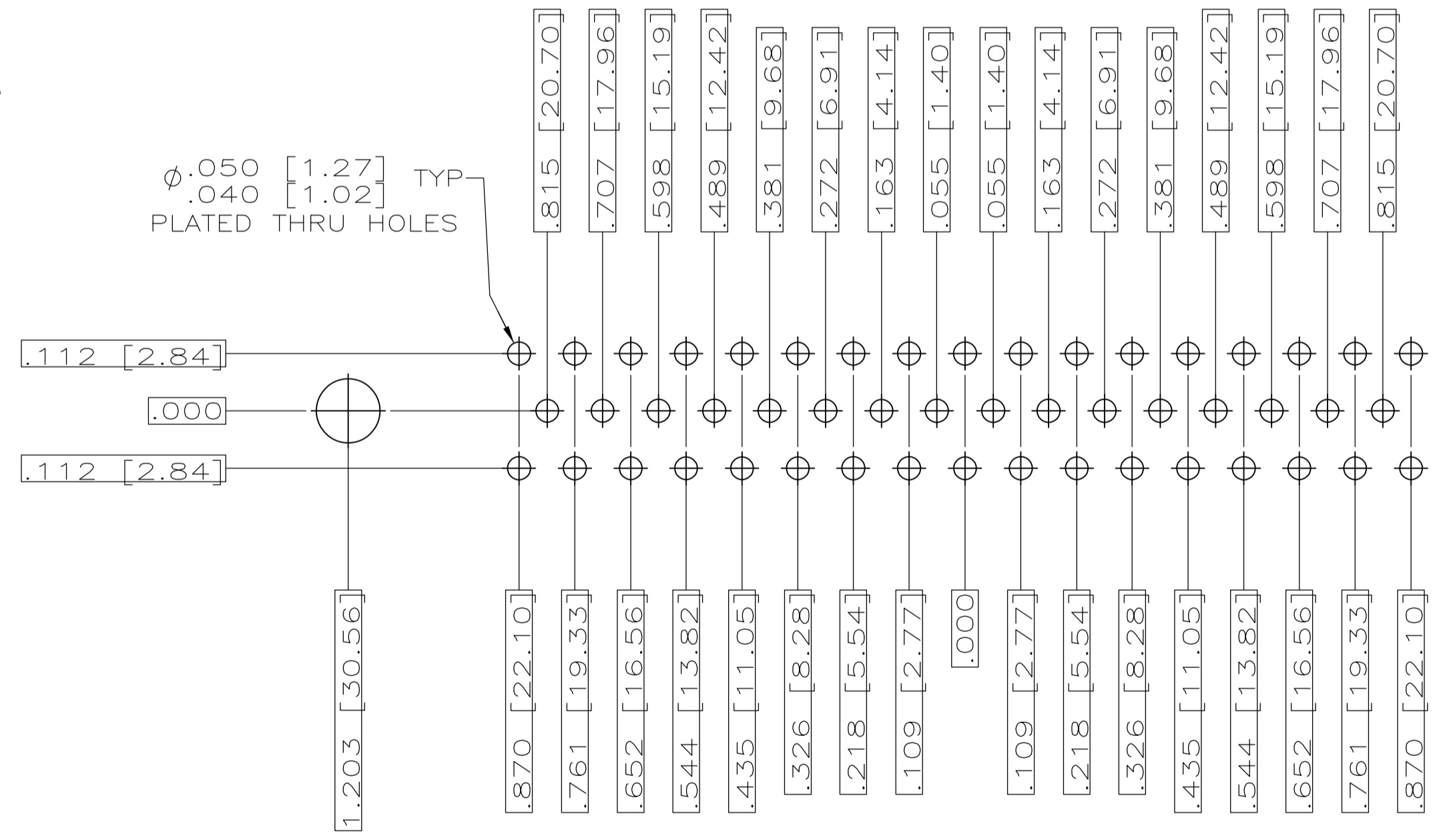
RECOMMENDED P.C. BOARD LAYOUT
SHELL SIZE 2 (15 POSITION) Δ 1



RECOMMENDED P.C. BOARD LAYOUT
SHELL SIZE 3 (25 POSITION) Δ 1



RECOMMENDED P.C. BOARD LAYOUT
SHELL SIZE 4 (37 POSITION) Δ 1



RECOMMENDED P.C. BOARD LAYOUT
SHELL SIZE 5 (50 POSITION) Δ 1

THIS DRAWING IS A CONTROLLED DOCUMENT.		DIN P. YEAGER 30DEC97	 TE Connectivity
DIMENSIONS: INCHES		CHK G. OVER 30DEC97	
TOLERANCES UNLESS OTHERWISE SPECIFIED:		APVD G. OVER 30DEC97	NAME
0 PL	+	PRODUCT SPEC	AMPLIMITE PLUG ASSY, LOW PROFILE
1 PL	+	APPLICATION SPEC	SIZE 20 POSTED P.C. BOARD CONTACTS,
2 PL	+	FINISH	.030 DIA LONG POST, SERIES 109.
3 PL	+	WEIGHT	SIZE CAGE CODE DRAWING NO RESTRICTED TO
4 PL	+	CUSTOMER DRAWING	A1 00779 1218125
ANGLES	+	SCALE	4:1
FINISH	+	SHEET	2 OF 2
		REV	F1