



Chipsmall Limited consists of a professional team with an average of over 10 year of expertise in the distribution of electronic components. Based in Hongkong, we have already established firm and mutual-benefit business relationships with customers from,Europe,America and south Asia,supplying obsolete and hard-to-find components to meet their specific needs.

With the principle of "Quality Parts,Customers Priority,Honest Operation,and Considerate Service",our business mainly focus on the distribution of electronic components. Line cards we deal with include Microchip,ALPS,ROHM,Xilinx,Pulse,ON,Everlight and Freescale. Main products comprise IC,Modules,Potentiometer,IC Socket,Relay,Connector.Our parts cover such applications as commercial,industrial, and automotives areas.

We are looking forward to setting up business relationship with you and hope to provide you with the best service and solution. Let us make a better world for our industry!



## Contact us

Tel: +86-755-8981 8866 Fax: +86-755-8427 6832

Email & Skype: info@chipsmall.com Web: www.chipsmall.com

Address: A1208, Overseas Decoration Building, #122 Zhenhua RD., Futian, Shenzhen, China

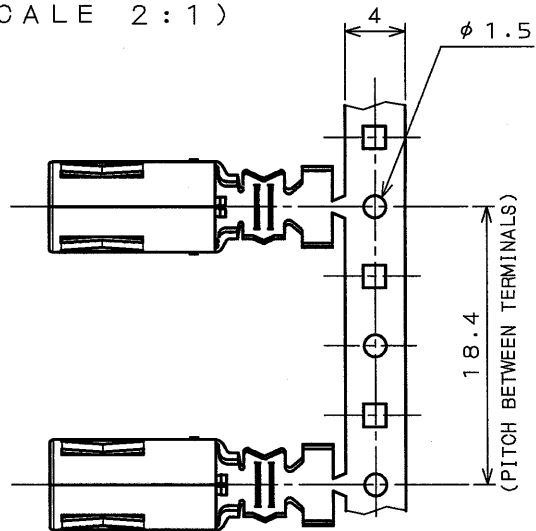


89Z5E0JS

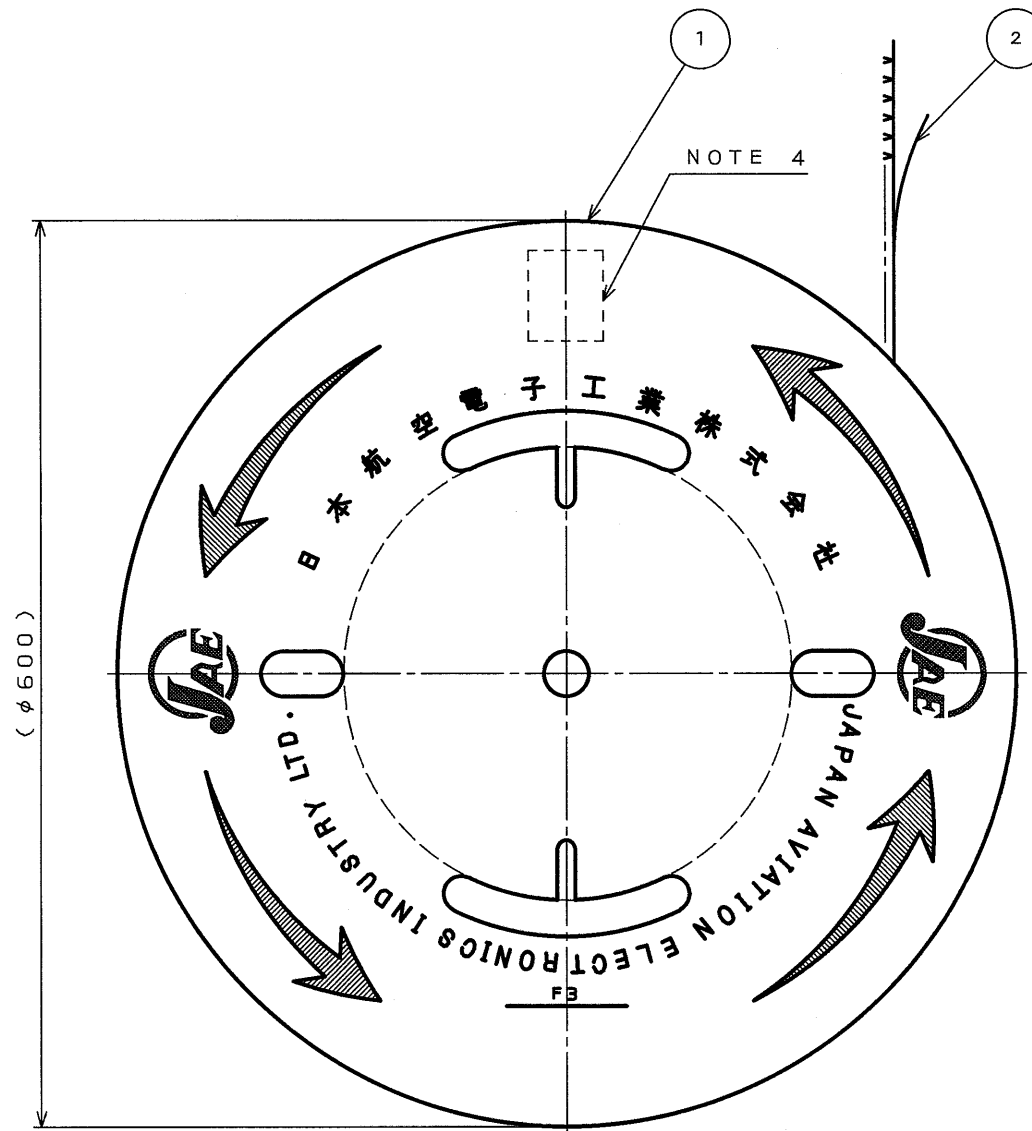
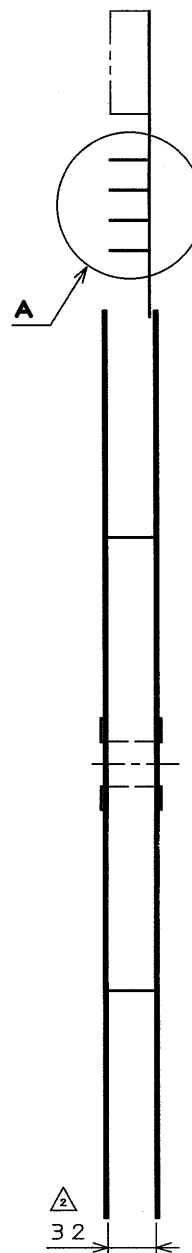
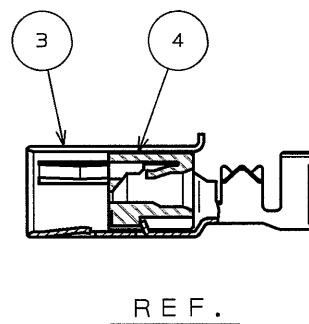
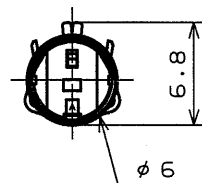
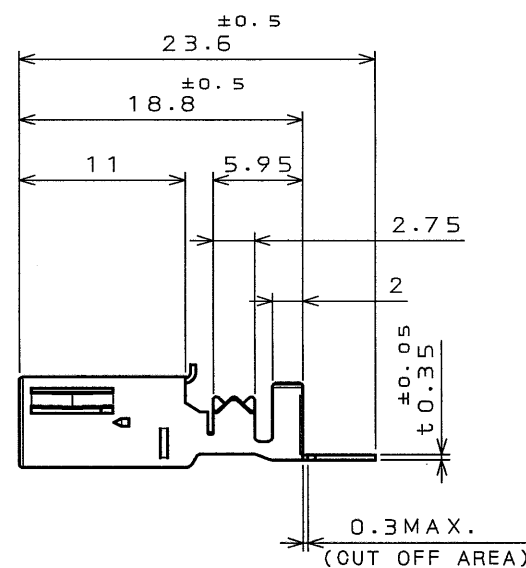
(ON ENIMVHD) 品名図

版数 REV.	年月日 DATE	DCN NO.	変更内容 DESCRIPTION	製図 DR.	担当 CHK.	査閲 APPD.	承認 APPD.
2	3.Dec.2001	49214	CHANGED REEL WIDTH AND APPLICABLE WIRE.		N.OGAWA		T.TOTANI
3	25.Jan.2002	49406	CHANGED SPECIAL CONTROL ITEM.	H.ITAKURA	N.OGAWA		T.Totani

DETAIL A  
(SCALE 2:1)



特別管理品目  
SPECIAL CONTROL ITEM  
M X 25



NOTE1. THIS PART IS M25P01K9FC MADE BY JAE.

△ 2. APPLICABLE WIRE: 1.5DS-0XC-SP (MAKER: Sumitomo Electric Industries, Ltd.) AND RG-174 (MAKER: Fujikura, Ltd.)

3. THE SHEARED EDGES OF CONTACT SHALL NOT BE PLATED.

4. PART NUMBER & QUANTITY SHALL BE DESCRIBED AS INDICATED.

5. EVEN IF THERE AREN'T SOME CONTACTS IN A CARRIER, THIS PART SATISFIES AMOUNT.

注1. 本製品は日本航空電子工業(株)のM25P01K9FCである。

△ 2. 適用電線サイズは1.5DS-0XC-SP(住友電気工業(株)製)及びRG-174((株)フジクラ製)である。

3. 破断面にはめっきはつかない。

4. 図示の位置に品名、数量を記載する。

5. 本製品はキャリア上歯抜けが発生していても、数量(1,000)を満足する。

符号 NO.	名称 DESCRIPTION	個数 QTY.	材料 MATERIAL	仕上 FINISH	備考 REMARKS
4	PIN INNER INSULATOR	1,000	GF PPS		COLOR: BLACK
3	PIN OUTER CONTACT	1,000	PHOSPHOR BRONZE	TIN PLATING	
2	TAPE	1	PAPER		
1	REEL	1	PAPER		
仕様書 (SPECIFICATION)		第1版 (ORIGINAL DATE)		尺度 (SCALE)	
JACS-1657		22.Aug.2001		1:5	
公差 (GENERAL TOLERANCE)		製図 DR.		名称 (TITLE)	
寸法 (DIMENSION)		M.TANAKA		M25P01K9FC	
角度 (ANGLES)		担当 CHK.		製図 DR.	
. ± 0.4		N.OGAWA		M25P01K9FC	
.X ± 0.4		査閲 APPD.		(PIN OUTER CONTACT)	
.XX ± 0.4		承認 APPD.		T.TOTANI	
.XXX ±				重量 (WEIGHT)	
				SJ035768	

DOF-0-212D(98.02)

CDS-00-110-10623  
SIZE A3