



Chipsmall Limited consists of a professional team with an average of over 10 year of expertise in the distribution of electronic components. Based in Hongkong, we have already established firm and mutual-benefit business relationships with customers from,Europe,America and south Asia,supplying obsolete and hard-to-find components to meet their specific needs.

With the principle of "Quality Parts,Customers Priority,Honest Operation,and Considerate Service",our business mainly focus on the distribution of electronic components. Line cards we deal with include Microchip,ALPS,ROHM,Xilinx,Pulse,ON,Everlight and Freescale. Main products comprise IC,Modules,Potentiometer,IC Socket,Relay,Connector.Our parts cover such applications as commercial,industrial, and automotives areas.

We are looking forward to setting up business relationship with you and hope to provide you with the best service and solution. Let us make a better world for our industry!



Contact us

Tel: +86-755-8981 8866 Fax: +86-755-8427 6832

Email & Skype: info@chipsmall.com Web: www.chipsmall.com

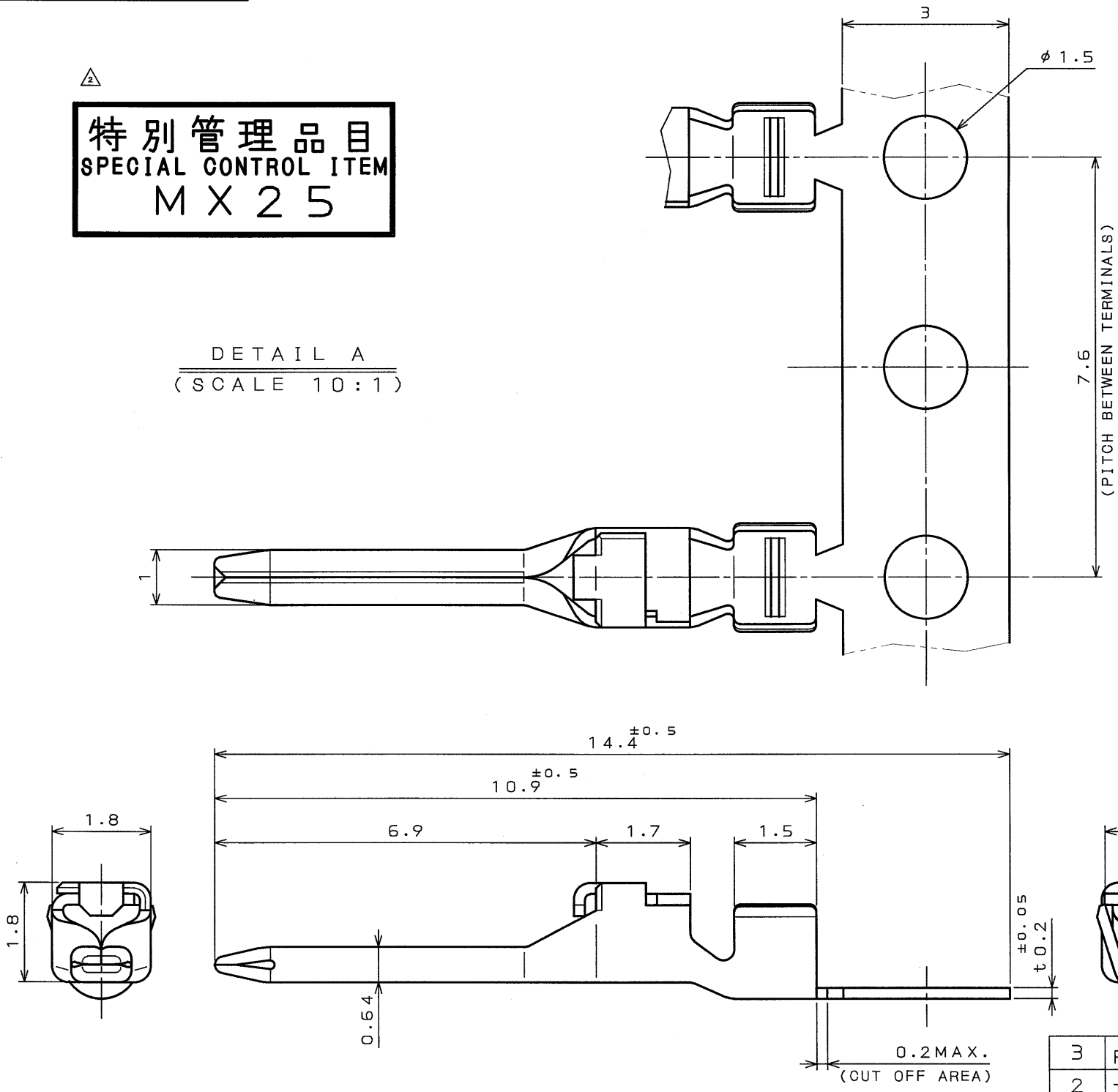
Address: A1208, Overseas Decoration Building, #122 Zhenhua RD., Futian, Shenzhen, China



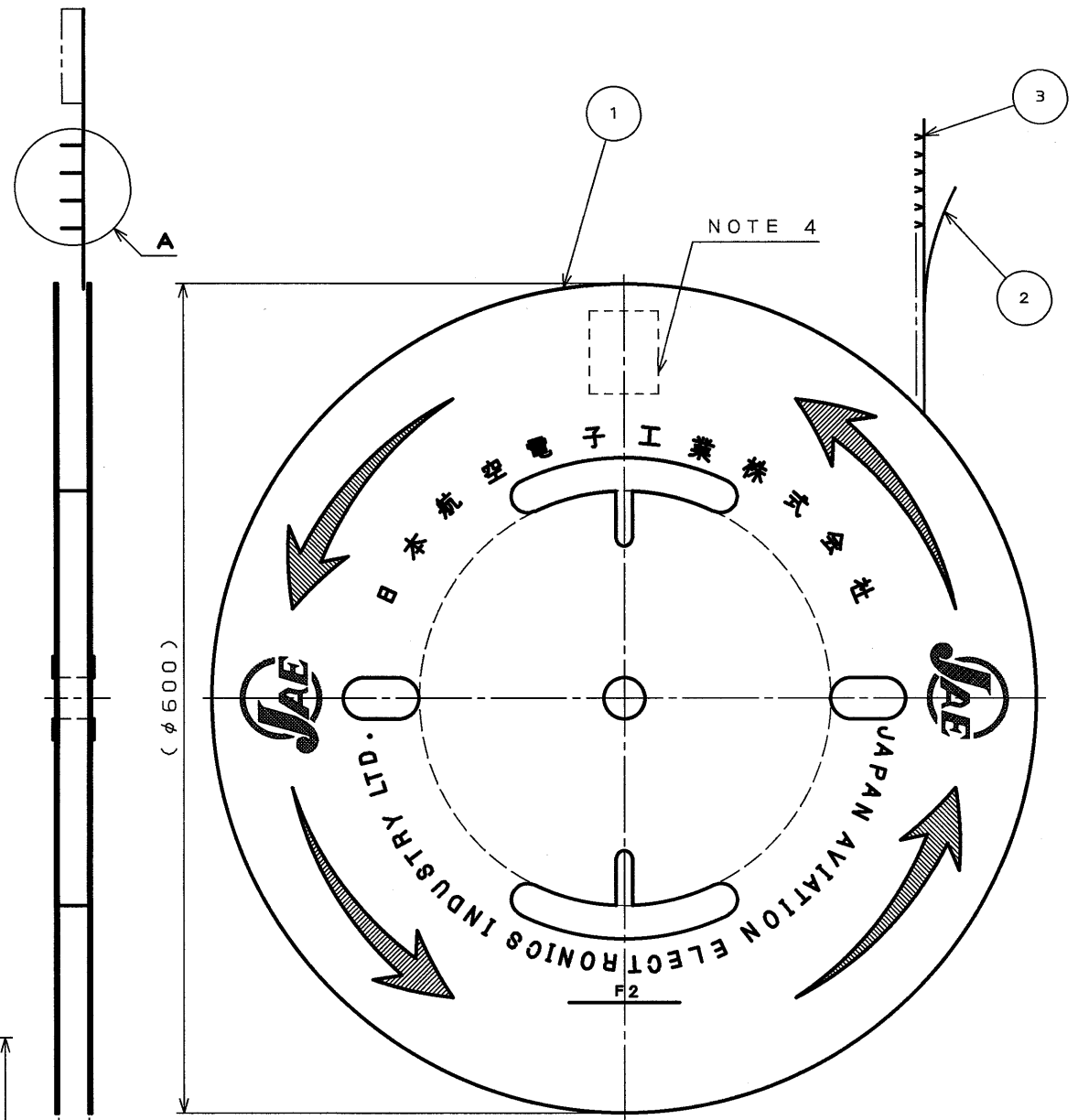
L9Z3E0PS
(DRAWING NO.) (台要図)

特別管理品目
SPECIAL CONTROL ITEM
MX25

DETAIL A
(SCALE 10:1)



版数 REV.	年月日 DATE	DCN NO.	変更内容 DESCRIPTION	製図 DR.	担当 CHK.	査閲 APPD.	承認 APPD.
2	25.Jan.2002	49406	CHANGED SPECIAL CONTROL ITEM AND NOTE.	H.ITAKURA	N.OGAWA	—	T.Totani



符号 NO.	名称 DESCRIPTION	個数 QTY.	材料 MATERIAL	仕上 FINISH	備考 REMARKS
3	PIN INNER CONTACT	10,000	HIGH CONDUCTIVITY COPPER ALLOY	TIN PLATING	
2	TAPE	1	PAPER		
1	REEL	1	PAPER		
仕様書 (SPECIFICATION)		第1版 (ORIGINAL DATE)		尺 (SCALE)	
JACS-1657		22.Aug.2001		1:5	
公差 (GENERAL TOLERANCE)		製図 DR.		名称 (TITLE)	
寸法 (DIMENSION)		担当 CHK.		M25P10K4F1	
角度 (ANGLES)		査閲 APPD.		(PIN INNER CONTACT)	
. ± 0.3		承認 APPD.		重量 (WEIGHT)	
.X ± 0.3		T.TOTANI		JAE CONNECTOR.COM	
.XX ± 0.3				日本航空電子工業株式会社	
.XXX ±				JAE ELECTRONICS INDUSTRY, LTD.	
				図面番号 (DRAWING NO.)	
				SJ035767	
				版数 (REV.)	
				2	

NOTE 1. THIS PART IS M25P10K4F1 MADE BY JAE.
 △ 2. APPLICABLE WIRE: 1.5DS-0XC-SP (MAKER: Sumitomo Electric Industries, Ltd.) AND RG-174 (MAKER: Fujikura, Ltd.)
 3. THE SHEARED EDGES OF CONTACT SHALL NOT BE PLATED.
 4. PART NUMBER & QUANTITY SHALL BE DESCRIBED AS INDICATED.
 注 1. 本製品は日本航空電子工業(株)のM25P10K4F1である。
 △ 2. 適用電線サイズは1.5DS-0XC-SP(住友電気工業(株)製)及びRG-174((株)フジクラ製)である。
 3. 破断面にはめっきはつかない。
 4. 図示の位置に品名・数量を記載する。

DOF-0-212D(98.02)

CDS-00-110-10623

SIZE A3