



Chipsmall Limited consists of a professional team with an average of over 10 year of expertise in the distribution of electronic components. Based in Hongkong, we have already established firm and mutual-benefit business relationships with customers from,Europe,America and south Asia,supplying obsolete and hard-to-find components to meet their specific needs.

With the principle of “Quality Parts,Customers Priority,Honest Operation,and Considerate Service”,our business mainly focus on the distribution of electronic components. Line cards we deal with include Microchip,ALPS,ROHM,Xilinx,Pulse,ON,Everlight and Freescale. Main products comprise IC,Modules,Potentiometer,IC Socket,Relay,Connector.Our parts cover such applications as commercial,industrial, and automotives areas.

We are looking forward to setting up business relationship with you and hope to provide you with the best service and solution. Let us make a better world for our industry!



Contact us

Tel: +86-755-8981 8866 Fax: +86-755-8427 6832

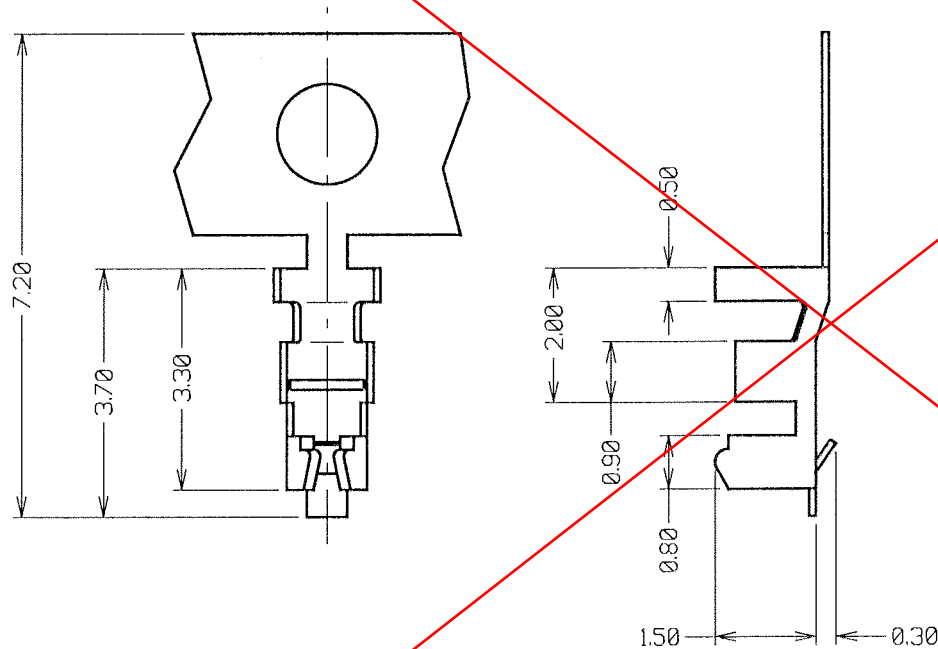
Email & Skype: info@chipsmall.com Web: www.chipsmall.com

Address: A1208, Overseas Decoration Building, #122 Zhenhua RD., Futian, Shenzhen, China



Customer Information Sheet

DRAWING No.: M30-1010046 SHEET 2 OF 2 IF IN DOUBT - ASK © NOT TO SCALE THIRD ANGLE PROJECTION ALL DIMENSIONS IN mm



NOTES:

1. CABLE SIZES 26, 28 AND 30 AWG CAN BE USED WITH THIS CRIMP CONTACT. INSULATION DIAMETER TO BE $\varnothing 0.65$ TO $\varnothing 1.00$ mm.
2. CABLE TO BE STRIPPED BY A LENGTH OF 1.2 TO 1.9mm.
3. FOR USE IN CRIMP HOUSING M30-110XX00. ALL RELEVANT SPECIFICATIONS ARE QUOTED ON THIS DRAWING.
4. ALL TOLERANCES ± 0.30 UNLESS OTHERWISE STATED.
5. SUPPLIED IN STRIPS OF 105, TUBE PACKED. UP TO 108 TUBES PACKED PER BOX.

OBSOLETE

JMB	1	17.08.05	8688
NAME	ISS.	DATE	C/NOTE
APPROVED: <i>[Signature]</i>			
CHECKED: <i>[Signature]</i>			
DRAWN: J BROOKES			
CUSTOMER REF.:			
ASSEMBLY ORG.:			

HARWIN

THIS DRAWING AND ANY INFORMATION OR DESCRIPTIVE MATTER SET OUT HEREON ARE CONFIDENTIAL AND COPYRIGHT PROPERTY OF THE HARWIN GROUP AND MUST NOT BE DISCLOSED, LOANED, COPIED OR USED FOR MANUFACTURING, TENDERING OR FOR ANY OTHER PURPOSE WITHOUT THEIR WRITTEN PERMISSION.

TOLERANCES
X. - ± 1 mm
X.X - ± 0.25 mm
X.XX - ± 0.10 mm
X.XXX - ± 0.01 mm
ANGLES - $\pm 5^\circ$
UNLESS STATED

MATERIAL: PHOSPHOR BRONZE
FINISH: 100% TIN
S/AREA: mm²

TITLE: 1.25mm FEMALE CRIMP TERMINAL (LOOSE)
DRAWING NUMBER: M30-1010046

HARWIN USA TEL: 603 893 5376 FAX: 603 893 5396 mis@harwin.com
HARWIN Europe (UK) TEL: 023 9231 4545 FAX: 023 9231 4590 mis@harwin.co.uk
HARWIN Asia TEL: +65 6 779 4909 FAX: +65 6 779 3868 mis@harwin.com.sg

SHT 2 OF 2