



Chipsmall Limited consists of a professional team with an average of over 10 year of expertise in the distribution of electronic components. Based in Hongkong, we have already established firm and mutual-benefit business relationships with customers from,Europe,America and south Asia,supplying obsolete and hard-to-find components to meet their specific needs.

With the principle of “Quality Parts,Customers Priority,Honest Operation,and Considerate Service”,our business mainly focus on the distribution of electronic components. Line cards we deal with include Microchip,ALPS,ROHM,Xilinx,Pulse,ON,Everlight and Freescale. Main products comprise IC,Modules,Potentiometer,IC Socket,Relay,Connector.Our parts cover such applications as commercial,industrial, and automotives areas.

We are looking forward to setting up business relationship with you and hope to provide you with the best service and solution. Let us make a better world for our industry!



## Contact us

Tel: +86-755-8981 8866 Fax: +86-755-8427 6832

Email & Skype: info@chipsmall.com Web: www.chipsmall.com

Address: A1208, Overseas Decoration Building, #122 Zhenhua RD., Futian, Shenzhen, China



# Customer Information Sheet

DRAWING No.: M300-FV3104500

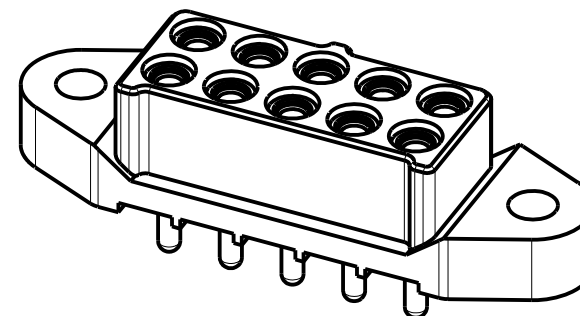
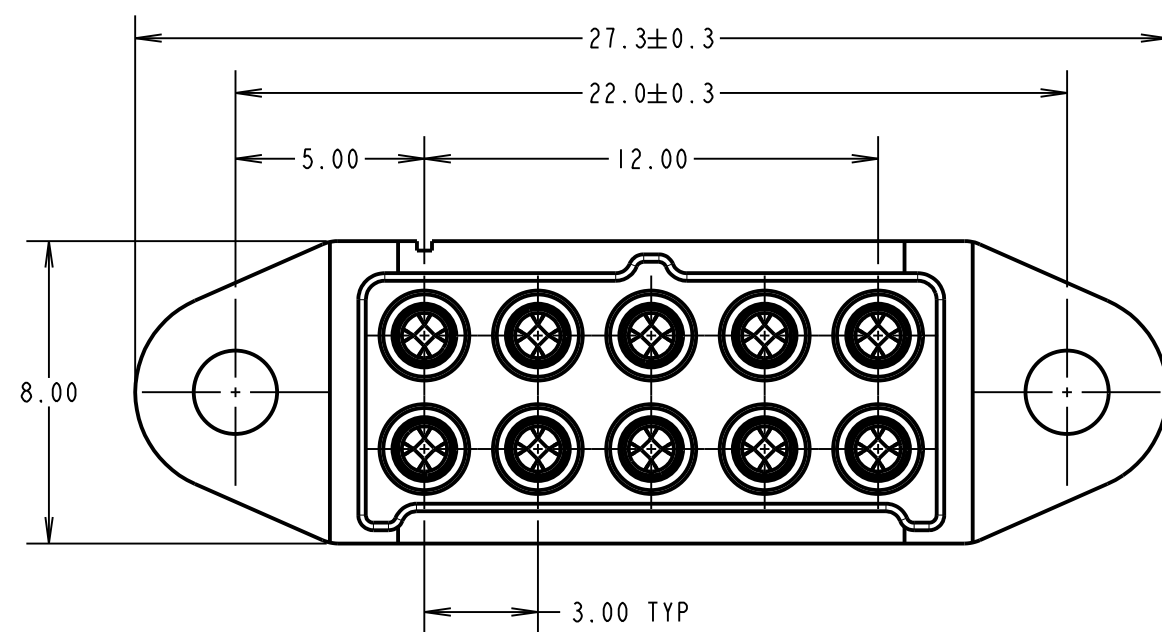
IF IN DOUBT - ASK

©

NOT TO SCALE

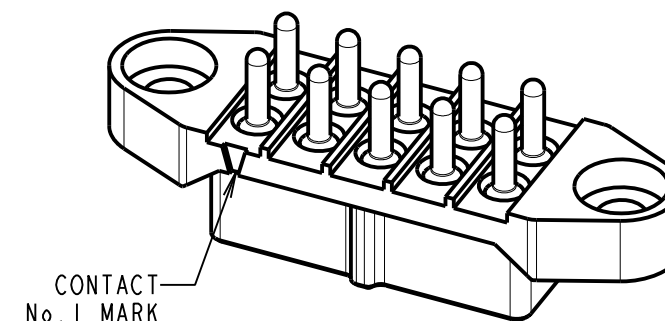
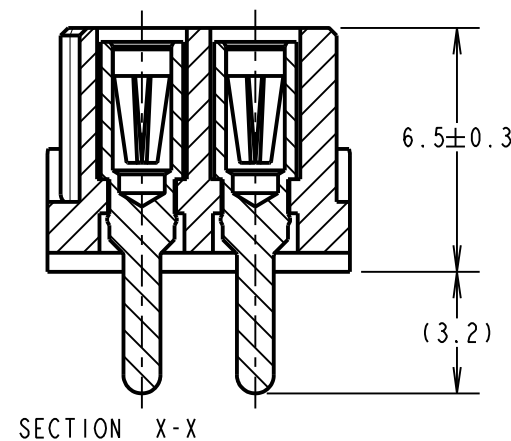
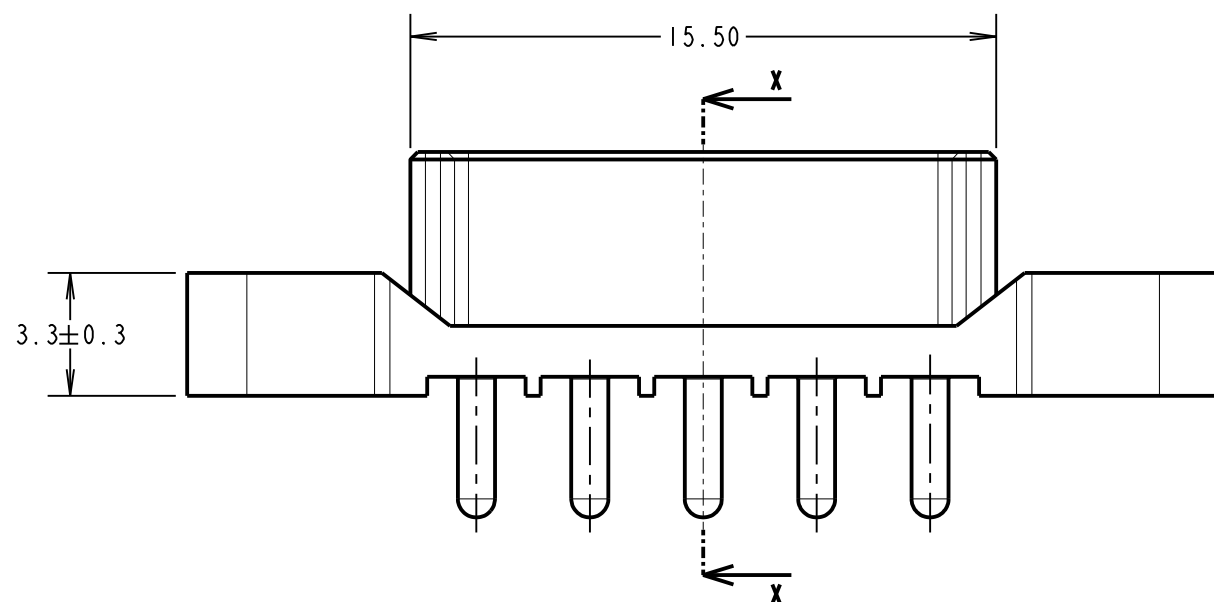
THIRD ANGLE PROJECTION

ALL DIMENSIONS IN mm

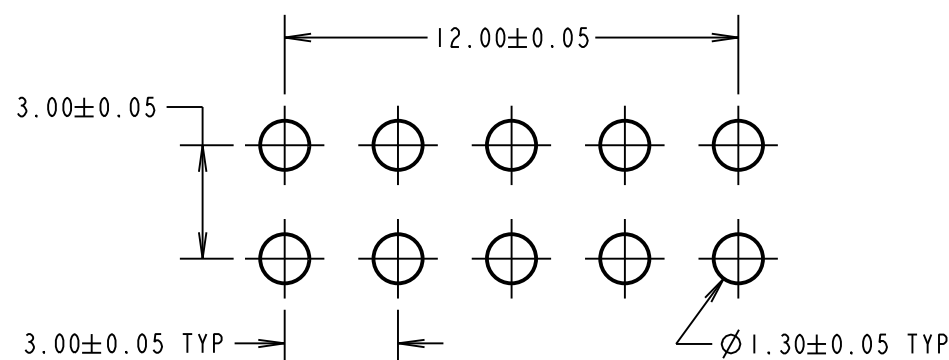


**SPECIFICATIONS:**

**MATERIAL:**  
 MOULDING = GLASS-FILLED PA46 UL94V-0, GREEN  
 CONTACT CLIP = BERYLLIUM COPPER  
 CONTACT SHELL = BRASS  
**FINISH (ALL OVER NICKEL):**  
 0.10/0.17µ GOLD CLIP, 0.25/0.30µ GOLD SHELL  
**ELECTRICAL:**  
 CURRENT RATING = 10A MAX  
 WORKING VOLTAGE = 600V AC/DC  
 VOLTAGE PROOF = 1800V AC/DC  
 CONTACT RESISTANCE = 6mΩ MAX  
 INSULATION RESISTANCE = 100MΩ MIN  
**MECHANICAL:**  
 DURABILITY = 1000 OPERATIONS  
 INSERTION FORCE (∅1.0mm GAUGE) = 9.0N MAX  
 WITHDRAWAL FORCE (∅1.0mm GAUGE) = 1.0N MIN  
**ENVIRONMENTAL:**  
 TEMPERATURE RANGE = -65°C TO +175°C  
**PACKING:**  
 TUBE  
 FOR COMPLETE SPECIFICATION, SEE COMPONENT SPECIFICATION C048XX (LATEST ISSUE)



**RECOMMENDED PCB LAYOUT**



MGP	1	11.12.15	13198
NAME	ISS.	DATE	C/NOTE
APPROVED: MGP			
CHECKED: SB			
DRAWN: MARK G PLESTED			
CUSTOMER REF.:			
ASSEMBLY DRG:			

**HARWIN**

www.harwin.com  
 technical@harwin.com

THIS DRAWING AND ANY INFORMATION OR DESCRIPTIVE MATTER SET OUT HEREON ARE CONFIDENTIAL AND COPYRIGHT PROPERTY OF THE HARWIN GROUP AND MUST NOT BE DISCLOSED, LOANED, COPIED OR USED FOR MANUFACTURING, TENDERING OR FOR ANY OTHER PURPOSE WITHOUT THEIR WRITTEN PERMISSION.

**TOLERANCES**  
 X. = ±1mm  
 X.X = ±0.50mm  
 X.XX = ±0.10mm  
 X.XXX = ±0.01mm  
 ANGLES = ±5°  
 UNLESS STATED

**MATERIAL:**

SEE ABOVE

**FINISH:**

SEE ABOVE

**S/AREA:**

mm<sup>2</sup>

**TITLE:** 1mm POWER CONNECTOR  
 DIL VERTICAL PC TAIL  
 FEMALE ASSEMBLY

**DRAWING NUMBER:**

**M300-FV3104500**

SHT  
 2 OF 2