



Chipsmall Limited consists of a professional team with an average of over 10 year of expertise in the distribution of electronic components. Based in Hongkong, we have already established firm and mutual-benefit business relationships with customers from,Europe,America and south Asia,supplying obsolete and hard-to-find components to meet their specific needs.

With the principle of “Quality Parts,Customers Priority,Honest Operation,and Considerate Service”,our business mainly focus on the distribution of electronic components. Line cards we deal with include Microchip,ALPS,ROHM,Xilinx,Pulse,ON,Everlight and Freescale. Main products comprise IC,Modules,Potentiometer,IC Socket,Relay,Connector.Our parts cover such applications as commercial,industrial, and automotives areas.

We are looking forward to setting up business relationship with you and hope to provide you with the best service and solution. Let us make a better world for our industry!



Contact us

Tel: +86-755-8981 8866 Fax: +86-755-8427 6832

Email & Skype: info@chipsmall.com Web: www.chipsmall.com

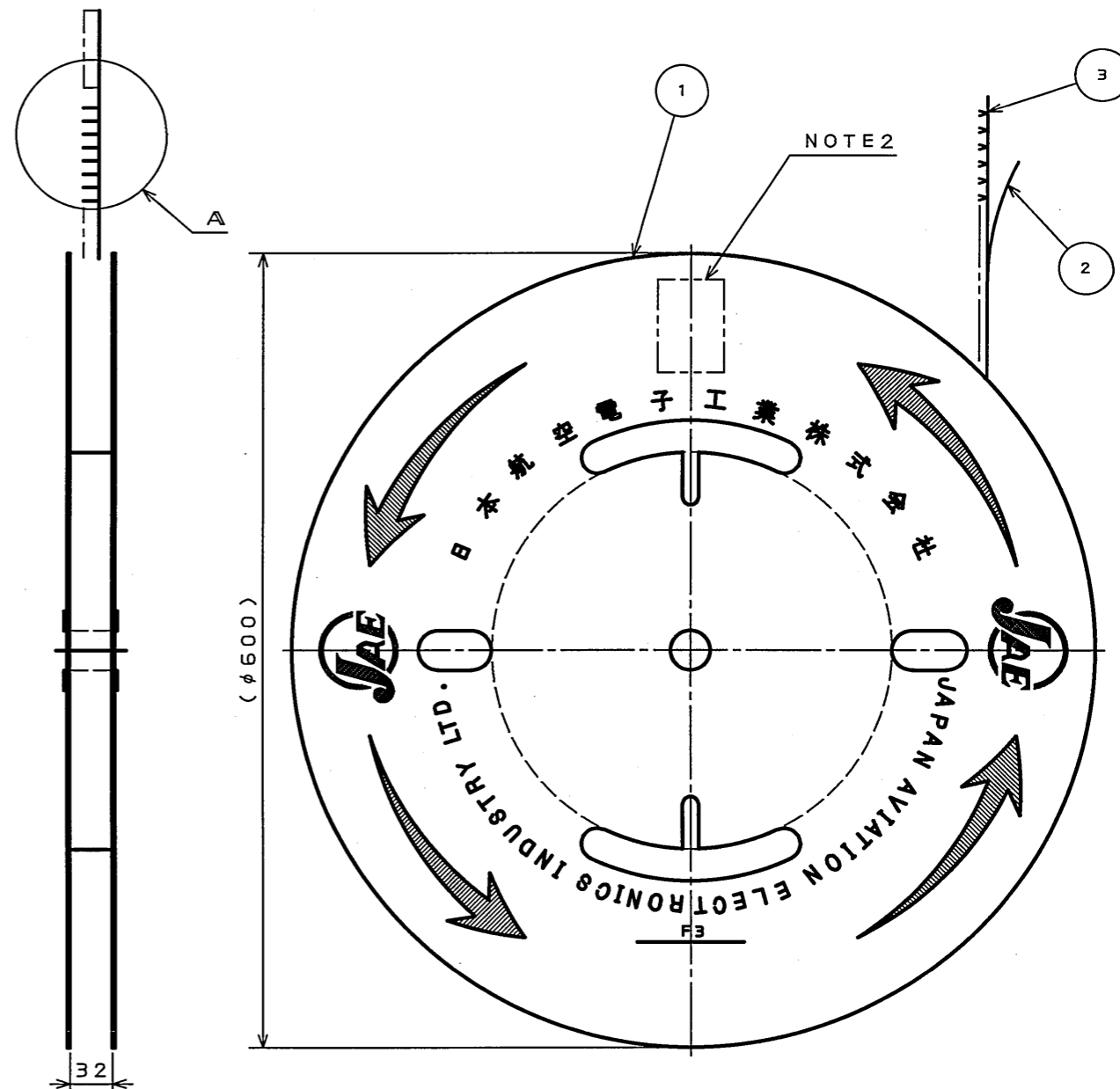
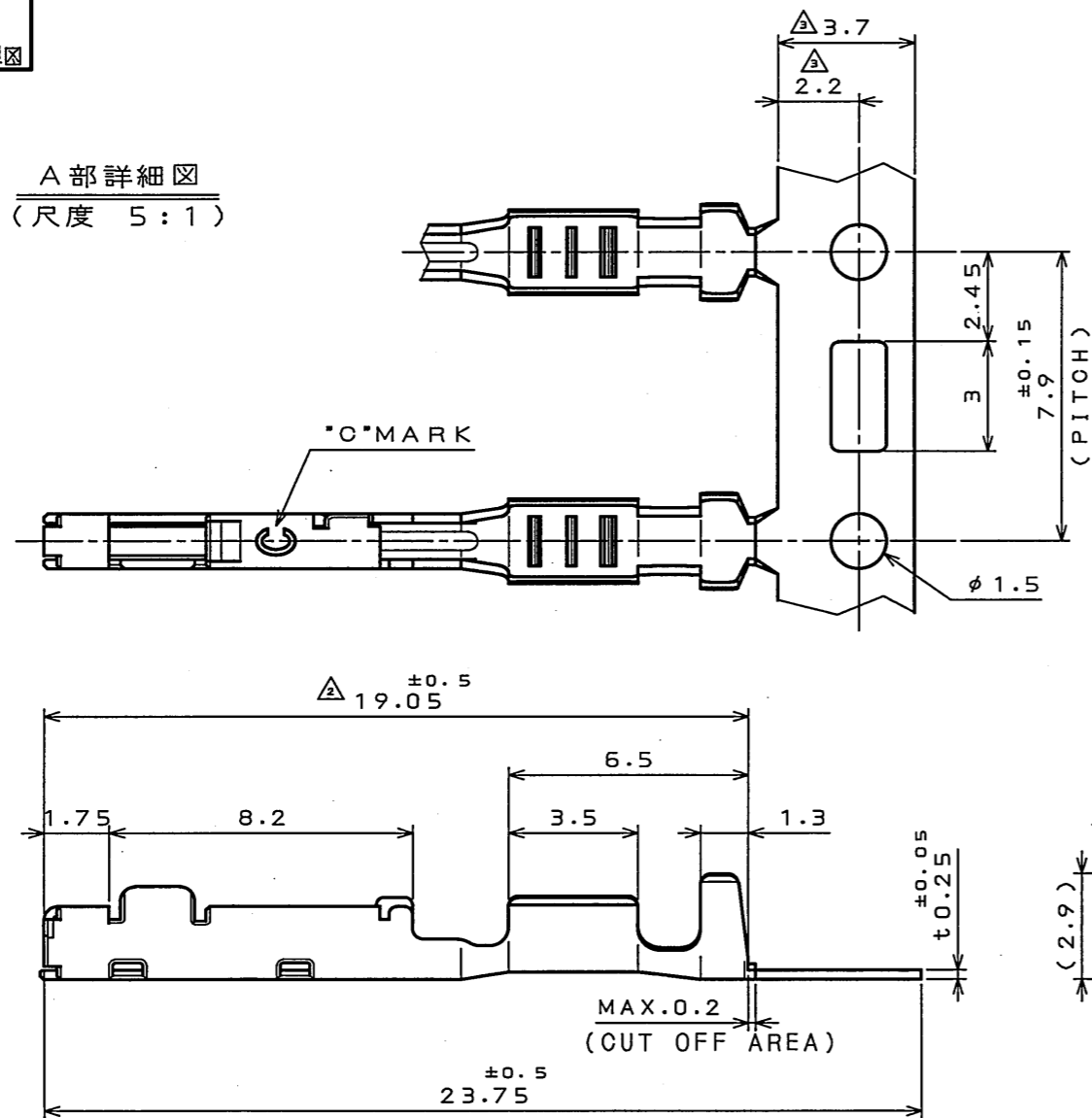
Address: A1208, Overseas Decoration Building, #122 Zhenhua RD., Futian, Shenzhen, China



SJ038747
(DRAWING NO.)

版数 REV.	年月日 DATE	DCN NO.	変更内容 DESCRIPTION	製図 DR.	担当 CHK.	査閲 APPD.	承認 APPD.
2	9.Jul.2003	052455	REVISED FORM		N.TOUDOU		T.TOTANI
3	12.Nov.2008	066919	ADDED DIMENSION etc		Y.WATANABE	K.Miyamoto	T.Totani

A部詳細図
(尺度 5:1)



△ NOTE1. APPLICABLE WIRE: CAN SD 0.35sq (ONLY CANSD USE).

△ 2. PART NUMBER & DRAWING NUMBER & QUANTITY SHALL BE DESCRIBED AS INDICATED.

3. THE SHEARED EDGES OF CONTACT ARE NOT PLATED.

△ 注 1. 使用電線はCAN SD 0.35sq (CANケーブル)のみとする。

△ 2. 図示の位置に品名、図番、数量を記載する。

3. 切断面に、めっきは付かない。

3	025 FEMALE TERMINAL	7500	MSP1R	PLATING:Sn	
2	TAPE	1	PAPER		
1	REEL	1	PAPER		
符号 NO.	名称 DESCRIPTION	個数 QTY.	材料 MATERIAL	仕上 FINISH	備考 REMARKS
仕様書 (SPECIFICATION) JACS-1754 △ J AHL-1754		第1版 (ORIGINAL DATE) 30.Jun.2003		尺度 (SCALE) 1:5	シリーズ (SERIES) MX34
公差 (GENERAL TOLERANCE)		製図 DR.		名称 (TITLE) M34S75C4F3	
寸法 (DIMENSION)		担当 CHK. N.TOUDOU		日本航空電子工業株式会社 JAPAN AVIATION ELECTRONICS INDUSTRY, LTD.	
角度 (ANGLES)		査閲 APPD.			
. ±0.5		承認 APPD. T.TOTANI			
.X ±0.5				図面番号 (DRAWING NO.) SJ038747	
.XX ±0.5				質量 (MASS)	
.XXX ±				版数 (REV.) 3	