



Chipsmall Limited consists of a professional team with an average of over 10 year of expertise in the distribution of electronic components. Based in Hongkong, we have already established firm and mutual-benefit business relationships with customers from,Europe,America and south Asia,supplying obsolete and hard-to-find components to meet their specific needs.

With the principle of “Quality Parts,Customers Priority,Honest Operation,and Considerate Service”,our business mainly focus on the distribution of electronic components. Line cards we deal with include Microchip,ALPS,ROHM,Xilinx,Pulse,ON,Everlight and Freescale. Main products comprise IC,Modules,Potentiometer,IC Socket,Relay,Connector.Our parts cover such applications as commercial,industrial, and automotives areas.

We are looking forward to setting up business relationship with you and hope to provide you with the best service and solution. Let us make a better world for our industry!



Contact us

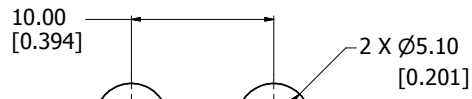
Tel: +86-755-8981 8866 Fax: +86-755-8427 6832

Email & Skype: info@chipsmall.com Web: www.chipsmall.com

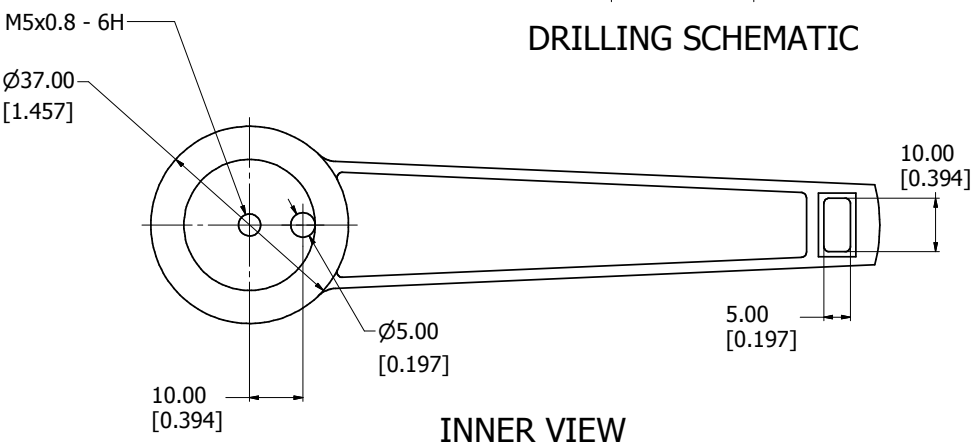
Address: A1208, Overseas Decoration Building, #122 Zhenhua RD., Futian, Shenzhen, China



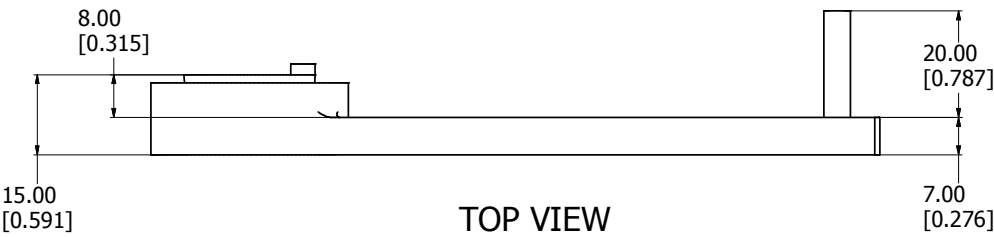
8 | 7 | 6 | 5 | 4 | 3 | 2 | 1



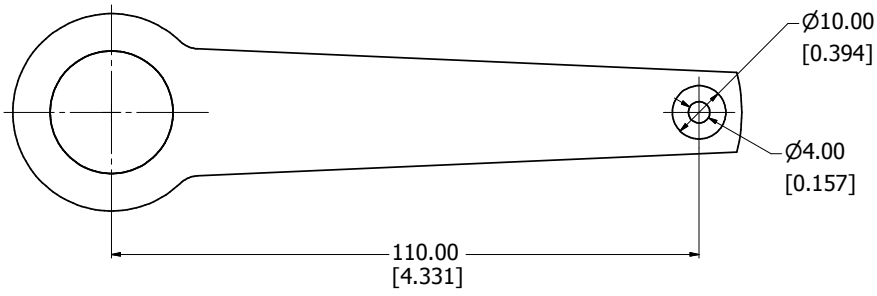
DRILLING SCHEMATIC



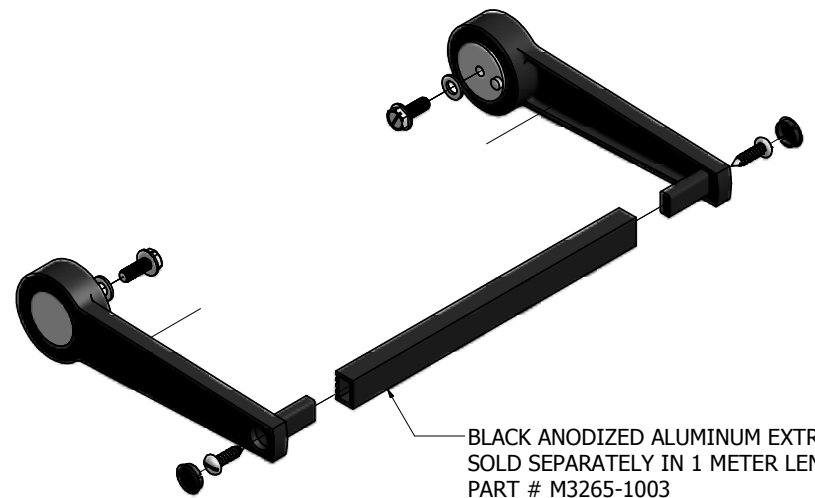
INNER VIEW



TOP VIEW



OUTER VIEW



BLACK ANODIZED ALUMINUM EXTRUSION
SOLD SEPARATELY IN 1 METER LENGTHS
PART # M3265-1003

EXPLODED BAIL ASSEMBLY

M3783-7001
Handle Arm - Reinforced Fibreglass Black / Cast Aluminum
Handle Profile - Black Anodized Aluminum Extrusion
Hardware
2 Screws - Hex Slotted M5 x 0.8
2 Screws - Panhead Self Tapping M4 x 0.8
2 Washers
2 Sealing Caps
**note bail sold in pairs



**HAMMOND
MANUFACTURING™**

M3783-7001

8 | 7 | 6 | 5 | 4 | 3 | 2 | 1