



Chipsmall Limited consists of a professional team with an average of over 10 year of expertise in the distribution of electronic components. Based in Hongkong, we have already established firm and mutual-benefit business relationships with customers from,Europe,America and south Asia,supplying obsolete and hard-to-find components to meet their specific needs.

With the principle of “Quality Parts,Customers Priority,Honest Operation,and Considerate Service”,our business mainly focus on the distribution of electronic components. Line cards we deal with include Microchip,ALPS,ROHM,Xilinx,Pulse,ON,Everlight and Freescale. Main products comprise IC,Modules,Potentiometer,IC Socket,Relay,Connector.Our parts cover such applications as commercial,industrial, and automotives areas.

We are looking forward to setting up business relationship with you and hope to provide you with the best service and solution. Let us make a better world for our industry!



Contact us

Tel: +86-755-8981 8866 Fax: +86-755-8427 6832

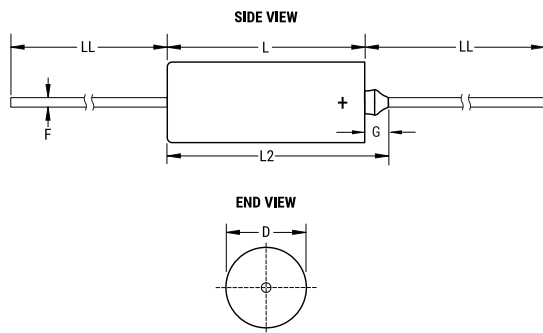
Email & Skype: info@chipsmall.com Web: www.chipsmall.com

Address: A1208, Overseas Decoration Building, #122 Zhenhua RD., Futian, Shenzhen, China



KEMET Part Number: T262D476K035SS
(M39003/09-0364{KEM}, CSR21F476KS)

T262_CSR21, Tantalum, MnO2 Tantalum, Military/High Reliability, 47 uF, 10%, 35 VDC, 110 mOhms



| Dimensions | |
|------------|-------------------|
| D | 8.92mm +/-0.25mm |
| L | 19.96mm +/-0.79mm |
| L2 | 23.42mm |
| LL | 38.1mm +/-6.35mm |
| F | 0.64mm +/-0.05mm |
| G | 3.46mm +0.79mm |

| Packaging Specifications | |
|--------------------------|------------|
| Packaging: | Bulk, Tray |
| Packaging Quantity: | 20 |

| General Information | |
|---------------------|--|
| Supplier: | KEMET |
| Series: | T262_CSR21 |
| Dielectric: | MnO2 Tantalum |
| Style: | Axial Hermetic |
| Description: | Axial, Solid Tantalum, Hermetically Sealed, Military, CSR21 Style |
| Features: | Low ESR, High Current |
| RoHS: | No |
| Termination: | Lead (SnPb) |
| Lead: | Wire Leads |
| Qualifications: | MIL-PRF-39003, CSR21 |
| Construction: | Hermetic |
| Miscellaneous: | Ripple Current Rating Shown Is At 40Khz And 25C; ESR Is Per MIL-PRF-39003/9. |
| Notes: | Dimensions Include Insulating Sleeve. Lead Length Shown Is For Parts Supplied With Bulk Packaging, When Supplied On T&R Or Ammo, Lead Length Is Determined By Taping Specification |

| Specifications | |
|--------------------------|--|
| Capacitance: | 47 uF |
| Capacitance Tolerance: | 10% |
| Voltage DC: | 35 VDC (85C), 28 VDC (125C Surge), 0.35 VDC (125C Reverse) |
| Temperature Range: | -55/+125C |
| Failure Rate: | S (0.001%/1000 Hrs) |
| Resistance: | 0.11 Ohms (100kHz) |
| Ripple Current: | 2700 mAmps (100kHz) |
| Leakage Current: | 8 uA |
| Testing and Reliability: | Standard Testing To MIL-PRF-39003 |

Statements of suitability for certain applications are based on our knowledge of typical operating conditions for such applications, but are not intended to constitute - and we specifically disclaim - any warranty concerning suitability for a specific customer application or use. This Information is intended for use only by customers who have the requisite experience and capability to determine the correct products for their application. Any technical advice inferred from this Information or otherwise provided by us with reference to the use of our products is given gratis, and we assume no obligation or liability for the advice given or results obtained.