



Chipsmall Limited consists of a professional team with an average of over 10 year of expertise in the distribution of electronic components. Based in Hongkong, we have already established firm and mutual-benefit business relationships with customers from,Europe,America and south Asia,supplying obsolete and hard-to-find components to meet their specific needs.

With the principle of “Quality Parts,Customers Priority,Honest Operation,and Considerate Service”,our business mainly focus on the distribution of electronic components. Line cards we deal with include Microchip,ALPS,ROHM,Xilinx,Pulse,ON,Everlight and Freescale. Main products comprise IC,Modules,Potentiometer,IC Socket,Relay,Connector.Our parts cover such applications as commercial,industrial, and automotives areas.

We are looking forward to setting up business relationship with you and hope to provide you with the best service and solution. Let us make a better world for our industry!



Contact us

Tel: +86-755-8981 8866 Fax: +86-755-8427 6832

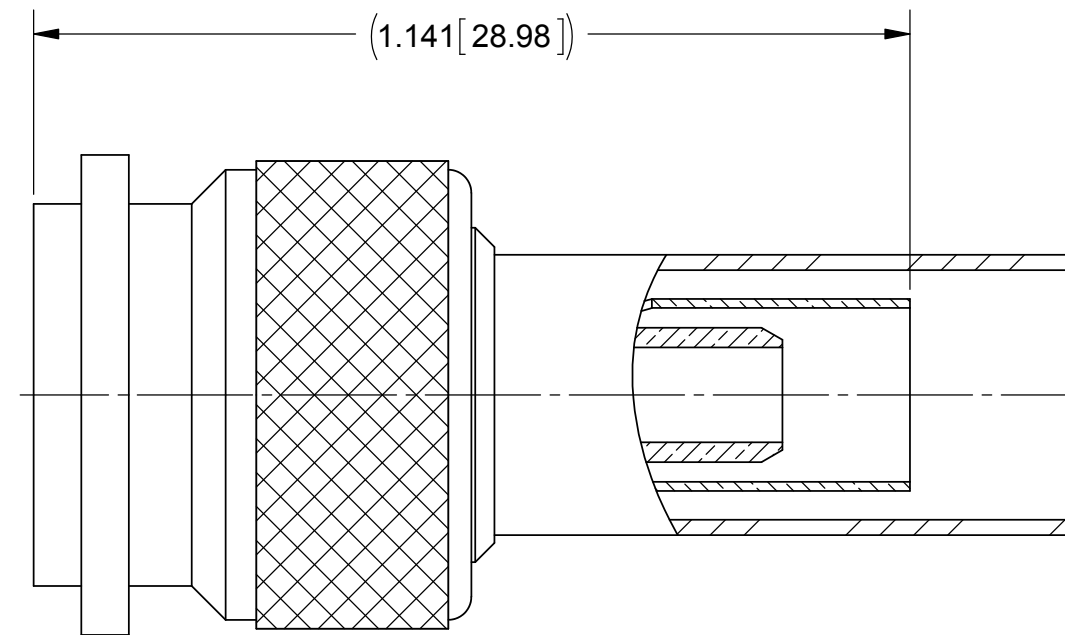
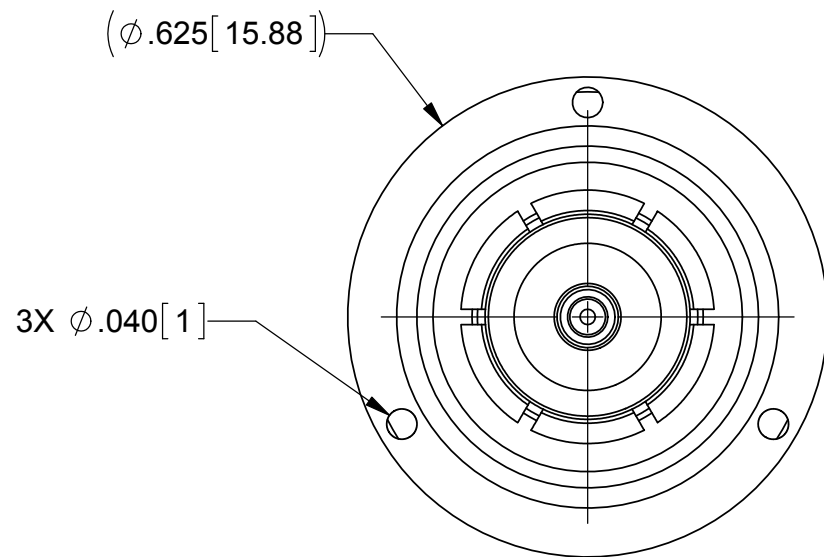
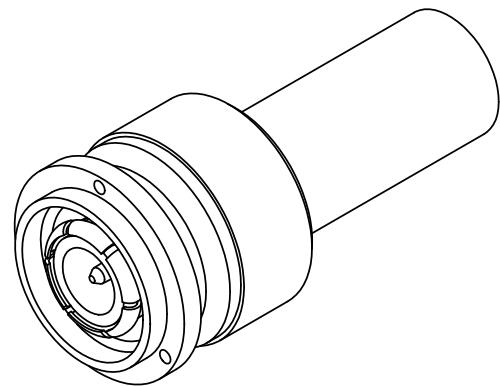
Email & Skype: info@chipsmall.com Web: www.chipsmall.com

Address: A1208, Overseas Decoration Building, #122 Zhenhua RD., Futian, Shenzhen, China



PRODUCT DATA DRAWING

REVISION HISTORY			
REV	DESCRIPTION	DATE	APPROVED
A	DCN 41763	10/15	MAL



MATERIAL:

- BODY, CONTACT, & COUPLING NUT: BRASS PER ASTM B16, ALLOY UNS No. C36000
- LOCK RING: PHOSPHOR BRONZE PER ASTM B159, ALLOY 51000
- OUTER CONTACT: BERYLLIUM COPPER PER ASTM B194, ALLOY No. UNS C17200
- INSULATOR: PTFE PER ASTM D1710, TYPE I, GRADE 1, CLASS B
- CRIMP RING: COPPER PER ASTM B301, ALLOY UNS C18700
- GASKET: SILICONE RUBBER PER A-A-59588, CLASS 2B, GRADE 50/60
- TUBING: M23053/4

FINISH:

- BODY, OUTER CONTACT, COUPLING NUT, & CRIMP SLEEVE: SILVER PER ASTM B700, TYPE 1, GRADE D, CLASS S
- CONTACT: GOLD PER ASTM B488, TYPE II, CODE C, CLASS 1.27, OVER NICKEL PER AMS-QQ-N-290, CLASS 1, .00005" MIN.

PERFORMANCE:

- IMPEDANCE: 50 OHMS
- FREQ. RANGE: DC TO 15.0 GHz
- VSWR: 1.10 + .015(F):1 DC TO 15.0 GHz
- INSERTION LOSS: .05 X SQRT(F(F IN GHz))

MATERIAL: SEE NOTES	DIMENSIONS ARE IN INCHES TOLERANCES: FRACTIONAL: ±1/64 ANGULAR: X° ±1°0' X'X' ±15'	UNLESS OTHERWISE SPECIFIED 1) ALL DIMENSIONS ARE IN INCHES (MILLIMETERS) 2) ALL DIMENSIONS ARE AFTER PLATING. 3) BREAK CORNERS & EDGES .005 R. MAX. 4) CHAM. 1ST & LAST THREADS. 5) SURFACE ROUGHNESS 63-MIL-STD-10. 6) DIA. 'S ON COMMON CENTERS TO BE CONCENTRIC WITHIN .005 T.I.R. 7) REMOVE ALL BURRS	 2400 Centrepark West Drive, Suite 100 West Palm Beach, FL 33409 TITLE: TNC PLUG CRIMP TYPE FOR RG-142, 223 AND 400/U
FINISH: SEE NOTES	DECIMAL: X ±.030 .XX ±.010 .XXX ±.005		
SURFACE AREA: N/A	INTERPRET DIMENSIONS AND TOLERANCES PER ASME Y14.5M - 1994		
PROPRIETARY THE INFORMATION CONTAINED IN THIS DRAWING IS THE SOLE PROPERTY OF SV MICROWAVE, INC. ANY REPRODUCTION IN PART OR AS A WHOLE WITHOUT THE WRITTEN PERMISSION OF SV MICROWAVE, INC IS PROHIBITED.	THIRD ANGLE PROJECTION	DRAWN: DAL 10/12/15	SIZE: B CAGE CODE: 95077 DWG. NO. M39012/26-0011
		CHECKED: MAL 10/12/15	SCALE: 4:1
		APPROVED: GD 12/16/85	SHEET 1 OF 1