



Chipsmall Limited consists of a professional team with an average of over 10 year of expertise in the distribution of electronic components. Based in Hongkong, we have already established firm and mutual-benefit business relationships with customers from,Europe,America and south Asia,supplying obsolete and hard-to-find components to meet their specific needs.

With the principle of “Quality Parts,Customers Priority,Honest Operation,and Considerate Service”,our business mainly focus on the distribution of electronic components. Line cards we deal with include Microchip,ALPS,ROHM,Xilinx,Pulse,ON,Everlight and Freescale. Main products comprise IC,Modules,Potentiometer,IC Socket,Relay,Connector.Our parts cover such applications as commercial,industrial, and automotives areas.

We are looking forward to setting up business relationship with you and hope to provide you with the best service and solution. Let us make a better world for our industry!



## Contact us

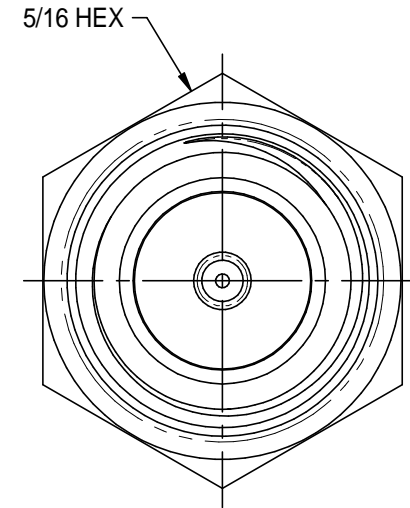
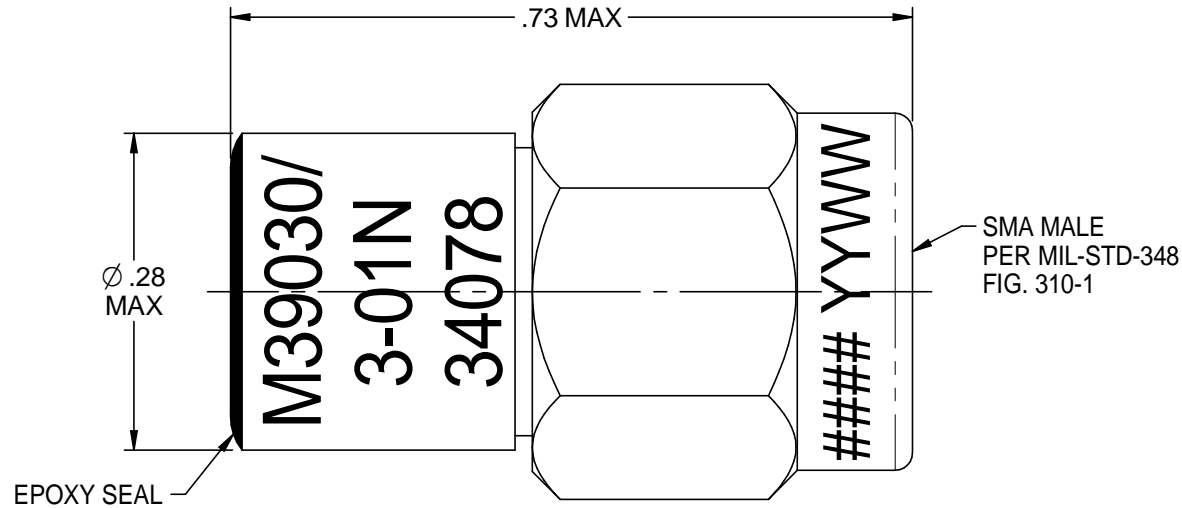
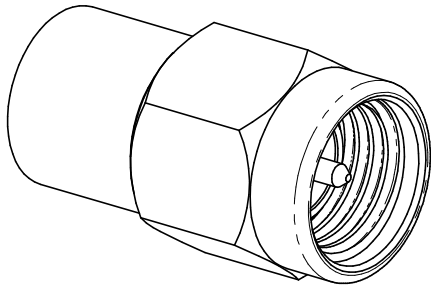
Tel: +86-755-8981 8866 Fax: +86-755-8427 6832

Email & Skype: info@chipsmall.com Web: www.chipsmall.com

Address: A1208, Overseas Decoration Building, #122 Zhenhua RD., Futian, Shenzhen, China



REV	ECO	DATE
F1	ADD TB	7/7/2005
F2	23000	12/9/2010
G	25324	5/1/2015



M39030/3-01N SHOWN

NOTES: UNLESS OTHERWISE SPECIFIED.

1. MATERIAL & FINISH:

- 1.1 BODY: GOLD PLATED STAINLESS STEEL
- 1.2 DIELECTRIC: PTFE (TEFLON)
- 1.3 CENTER CONTACT: GOLD PLATED BERYLLIUM COPPER
- 1.4 GASKET: SILICONE RUBBER

2. SPECIFICATIONS:

- 2.1 FREQUENCY RANGE: DC - 18 GHz
- 2.2 IMPEDANCE: 50 OHMS
- 2.3 VSWR (MAX): 1.05+0.01f (GHz)
- 2.4 POWER HANDLING CAPABILITY:
  - 2.4.1 AVERAGE: 0.5 WATTS MAX AT 25°C DERATED LINEARLY TO 0.125 WATTS AT 125°C
  - 2.4.2 PEAK: 50 WATTS WITH A 1% DUTY CYCLE
- 2.5 OPERATING TEMPERATURE RANGE: -55°C TO 125°C
- 2.6 WEIGHT (MAX): .25 oz

<p>This PROPRIETARY Document is property of Cinch Connectivity Solutions. It is confidential in nature, non-transferable, and issued with the clear understanding that it is not traced or copied without permission and is returnable upon demand.</p> <p>INTERPRET DRAWING IN ACCORDANCE WITH ASME Y14.5-2009.</p>	Model No. <b>M39030/3-01(N OR S)</b>	<b>MIDWEST MICROWAVE</b>		
	RoHS2 <input checked="" type="checkbox"/> 2011/65/EU	Cage Code <b>34078</b>	Title: <b>QPL TERMINATION</b>	
	UNLESS OTHERWISE SPECIFIED UNITS: INCH	3RD ANGLE PROJECTION 	Drawing No. <b>M39030/3-01(N OR S)-01</b>	Rev. <b>G</b>
	.XX ±.02 .XXX ±.005 ANGLES ±2°	Drawn by: <b>C. WALLACE</b>	Date: <b>5/7/2015</b>	Size <b>A</b>
		DO NOT SCALE DRAWING	Workmanship Std: <b>NONE</b>	Sheet 1 of 1