



Chipsmall Limited consists of a professional team with an average of over 10 year of expertise in the distribution of electronic components. Based in Hongkong, we have already established firm and mutual-benefit business relationships with customers from,Europe,America and south Asia,supplying obsolete and hard-to-find components to meet their specific needs.

With the principle of “Quality Parts,Customers Priority,Honest Operation,and Considerate Service”,our business mainly focus on the distribution of electronic components. Line cards we deal with include Microchip,ALPS,ROHM,Xilinx,Pulse,ON,Everlight and Freescale. Main products comprise IC,Modules,Potentiometer,IC Socket,Relay,Connector.Our parts cover such applications as commercial,industrial, and automotives areas.

We are looking forward to setting up business relationship with you and hope to provide you with the best service and solution. Let us make a better world for our industry!



## Contact us

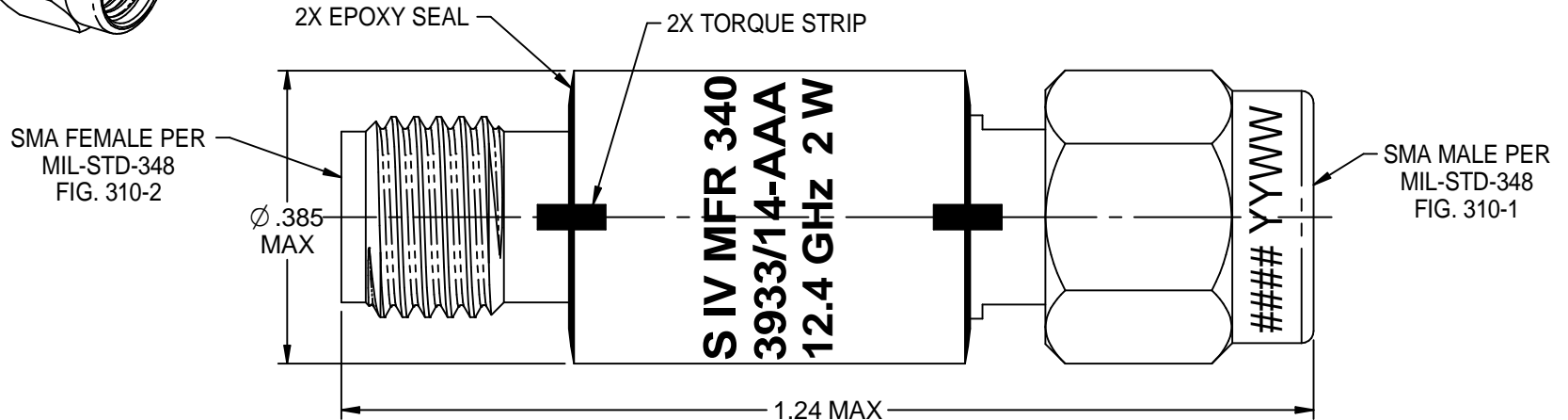
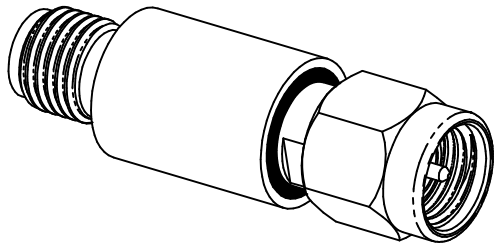
Tel: +86-755-8981 8866 Fax: +86-755-8427 6832

Email & Skype: info@chipsmall.com Web: www.chipsmall.com

Address: A1208, Overseas Decoration Building, #122 Zhenhua RD., Futian, Shenzhen, China



REV	ECO	DATE
J3	22216	11/16/2009
K	24181	4/3/2012
L	25289	1/12/2015



NOTES: UNLESS OTHERWISE SPECIFIED.

1. MATERIAL & FINISH:

- 1.1 BODY: PASSIVATED STAINLESS STEEL
- 1.2 DIELECTRIC: PTFE (TEFLON)
- 1.3 CENTER CONTACT: GOLD PLATED BERYLLIUM COPPER
- 1.5 GASKET: SILICONE RUBBER

2. SPECIFICATIONS:

- 2.1 FREQUENCY RANGE: DC - 12.4 GHz
- 2.2 INPEDANCE: 50 OHMS NOMINAL
- 2.3 VSWR (MAX) BOTH ENDS:
  - DC - 4.0 GHz: 1.15:1
  - 4.0 - 8.0 GHz: 1.20:1
  - 8.0 - 12.4 GHz: 1.25:1
- 2.4 ATTENUATION ACCURACY: SEE TABLE
- 2.5 MAXIMUM INPUT POWER
  - 2.5.1 AVERAGE: 2 WATTS AT 25°C DERATED LINEARLY TO 0.5 WATTS AT 125°C
  - 2.5.2 PEAK: 200 WATTS FOR A DUTY CYCLE OF  $5 \times 10^{-4}$ , MAX PULSE DURATION OF 5 MICROSECONDS
- 2.6 OPERATING TEMP RANGE: -55°C TO 125°C
- 2.7 WEIGHT (MAX): 0.5 oz

3. TORQUE STRIP (SCREENED MODELS ONLY):

- 3.1 ENTHONE M-9-N WHITE/CATALYST B-3, TML = 0.51%, CVCM = 0.4%

MODEL NO. (N OR S)	ATTENUATION (dB)	
	NOMINAL	ACCURACY
M3933/14-01	3	± 0.3
M3933/14-02	6	± 0.3
M3933/14-03	10	± 0.3
M3933/14-04	20	± 0.5
M3933/14-05	15	± 0.5
M3933/14-06	1	± 0.3
M3933/14-07	2	± 0.3
M3933/14-08	4	± 0.3
M3933/14-09	5	± 0.3

MODEL NO. (N OR S)	ATTENUATION (dB)	
	NOMINAL	ACCURACY
M3933/14-10	7	± 0.4
M3933/14-11	8	± 0.4
M3933/14-12	9	± 0.4
M3933/14-18	16	± 0.5
M3933/14-19	14	± 0.5
M3933/14-20	13	± 0.5
M3933/14-21	12	± 0.5
M3933/14-22	11	± 0.5
M3933/14-23	1.5	± 0.3

<p>This PROPRIETARY Document is property of Cinch Connectivity Solutions. It is confidential in nature, non-transferable, and issued with the clear understanding that it is not to be traced or copied without permission and is returnable upon demand.</p> <p>INTERPRET DRAWING IN ACCORDANCE WITH ASME Y14.5-2009.</p>	Model No. M3933/14-XX(N OR S)	<b>MIDWEST MICROWAVE</b>		
	RoHS2 <input checked="" type="checkbox"/> 2011/65/EU	Cage Code 34078	Title: QPL ATTENUATOR 0-20 dB	
	.XX ±.02 .XXX ±.005 ANGLES ±2°	3RD ANGLE PROJECTION 	Drawn by: C. WALLACE	Drawing No. M3933/14-XX(N OR S)-01
	Date: 1/21/2015	Size A	DO NOT SCALE DRAWING	Workmanship Std: NONE
			Rev. L	
			Sheet 1 of 1	