



Chipsmall Limited consists of a professional team with an average of over 10 year of expertise in the distribution of electronic components. Based in Hongkong, we have already established firm and mutual-benefit business relationships with customers from,Europe,America and south Asia,supplying obsolete and hard-to-find components to meet their specific needs.

With the principle of “Quality Parts,Customers Priority,Honest Operation,and Considerate Service”,our business mainly focus on the distribution of electronic components. Line cards we deal with include Microchip,ALPS,ROHM,Xilinx,Pulse,ON,Everlight and Freescale. Main products comprise IC,Modules,Potentiometer,IC Socket,Relay,Connector.Our parts cover such applications as commercial,industrial, and automotives areas.

We are looking forward to setting up business relationship with you and hope to provide you with the best service and solution. Let us make a better world for our industry!



Contact us

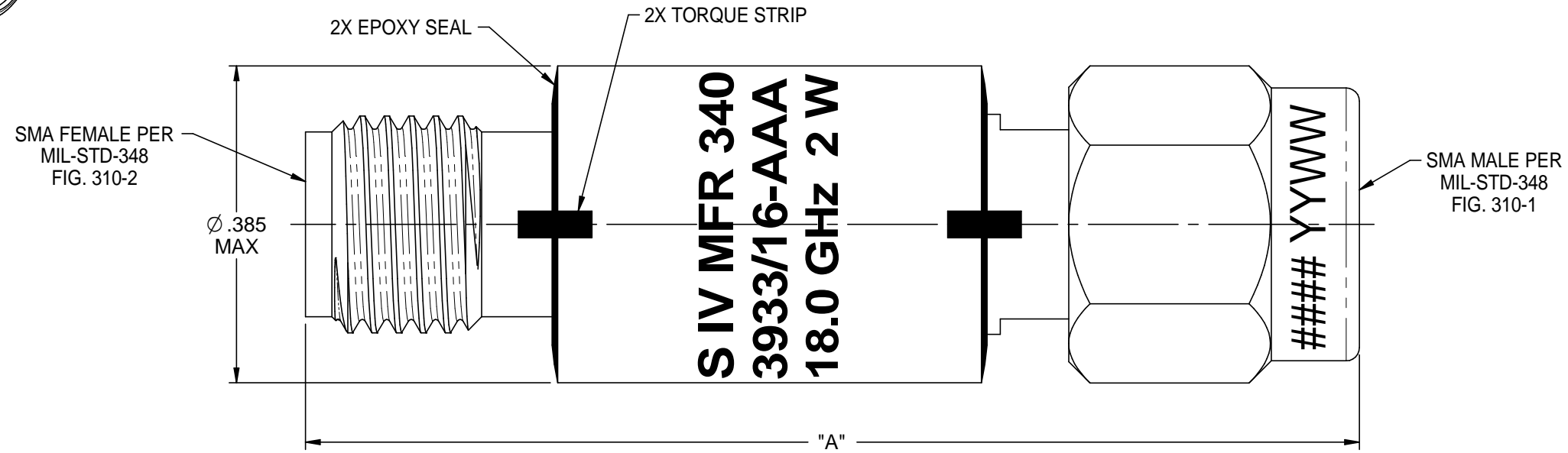
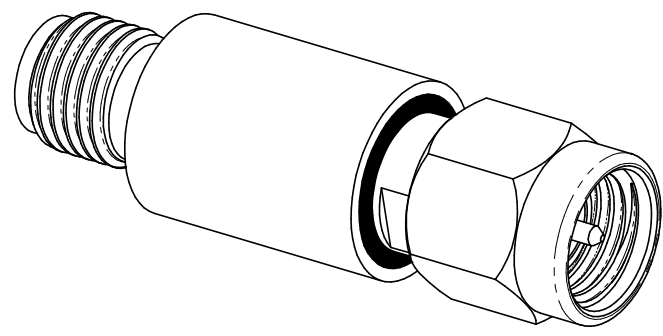
Tel: +86-755-8981 8866 Fax: +86-755-8427 6832

Email & Skype: info@chipsmall.com Web: www.chipsmall.com

Address: A1208, Overseas Decoration Building, #122 Zhenhua RD., Futian, Shenzhen, China



REV	ECO	DATE
J	23703	7/15/2011
K	25016	1/31/2014
L	25125	7/18/2014



NOTES: UNLESS OTHERWISE SPECIFIED.

1. MATERIAL & FINISH:
 - 1.1 BODY: PASSIVATED STAINLESS STEEL
 - 1.2 DIELECTRIC: PTFE (TEFLON)
 - 1.3 CENTER CONTACT: GOLD PLATED BERYLLIUM COPPER
 - 1.5 GASKET: SILICONE RUBBER
2. SPECIFICATIONS:
 - 2.1 FREQUENCY RANGE: DC - 18 GHz
 - 2.2 INPEDANCE: 50 OHMS NOMINAL
 - 2.3 VSWR (MAX) BOTH ENDS:
 - DC - 4.0 GHz: 1.15:1
 - 4.0 - 8.0 GHz: 1.20:1
 - 8.0 - 12.4 GHz: 1.25:1
 - 12.4 - 18 GHz: 1.35:1
 - 2.4 ATTENUATION ACCURACY:
 - 0 - 2.5 dB: ±0.4 dB
 - 3 - 6.5 dB: ±0.3 dB
 - 7 - 15.5 dB: ±0.5 dB
 - 16 - 28 dB: ±0.7 dB
 - 30 - 40 dB: ±1.0 dB
 - 2.5 MAXIMUM INPUT POWER
 - 2.5.1 AVERAGE: 2 WATTS AT 25°C DERATED LINEARLY TO 0.5 WATTS AT 125°C
 - 2.5.2 PEAK: 500 WATTS FOR A DUTY CYCLE OF 5x10⁻⁴, MAX PULSE DURATION OF 5 MICROSECONDS
 - 2.6 OPERATING TEMP RANGE: -55°C TO 125°C
 - 2.7 WEIGHT (MAX):
 - 2.7.1 0 - 25 dB: 0.5 oz
 - 2.7.2 28 dB: 0.7 oz
 - 2.7.3 34 - 40 dB: 0.8 oz

MODEL NO. (N OR S)	dB VALUE	MODEL NO. (N OR S)	dB VALUE	MODEL NO. (N OR S)	dB VALUE
M3933/16-01	3	M3933/16-22	5.5	M3933/16-41	17.5
M3933/16-02	6	M3933/16-23	6.5	M3933/16-42	18
M3933/16-03	10	M3933/16-24	7.5	M3933/16-43	18.5
M3933/16-04	20	M3933/16-25	8.5	M3933/16-44	19
M3933/16-05	1	M3933/16-26	9.5	M3933/16-45	19.5
M3933/16-06	2	M3933/16-27	10.5	M3933/16-46	20.5
M3933/16-07	4	M3933/16-28	11	M3933/16-47	21
M3933/16-08	5	M3933/16-29	11.5	M3933/16-48	21.5
M3933/16-09	7	M3933/16-30	12	M3933/16-49	22
M3933/16-10	8	M3933/16-31	12.5	M3933/16-50	22.5
M3933/16-11	9	M3933/16-32	13	M3933/16-51	23
M3933/16-12	30	M3933/16-33	13.5	M3933/16-52	23.5
M3933/16-13	40	M3933/16-34	14	M3933/16-53	24
M3933/16-16	0	M3933/16-35	14.5	M3933/16-54	24.5
M3933/16-17	0.5	M3933/16-36	15	M3933/16-55	25
M3933/16-18	1.5	M3933/16-37	15.5	M3933/16-56	28
M3933/16-19	2.5	M3933/16-38	16	M3933/16-57	32
M3933/16-20	3.5	M3933/16-39	16.5	M3933/16-58	36
M3933/16-21	4.5	M3933/16-40	17		

dB VALUE	"A" MAX
0 - 25	1.24
30 - 40	1.85

3. TORQUE STRIP (SCREENED MODELS ONLY):
 - 3.1 ENTHONE M-9-N WHITE/CATALYST B-3, TML = 0.51%, CVCM = 0.4%

<p>This PROPRIETARY Document is property of Cinch Connectivity Solutions. It is confidential in nature, non-transferable, and issued with the clear understanding that it is not to be traced or copied without permission and is returnable upon demand.</p> <p>INTERPRET DRAWING IN ACCORDANCE WITH ASME Y14.5-2009</p>	Model No. M3933/16-XX(N OR S)	MIDWEST MICROWAVE		
	RoHS2 <input checked="" type="checkbox"/>	Cage Code 34078	Title: QPL ATTENUATOR	
	2011/65/EU	3RD ANGLE PROJECTION	Drawing No. M3933/16-XX(N OR S)-01	
	.XX ±.02 .XXX ±.005 ANGLES ±2°	Drawn by: C. WALLACE	Date: 7/22/2014	Rev. L
Size B	DO NOT SCALE DRAWING	Workmanship Std: NONE	Sheet 1 of 1	