



Chipsmall Limited consists of a professional team with an average of over 10 year of expertise in the distribution of electronic components. Based in Hongkong, we have already established firm and mutual-benefit business relationships with customers from,Europe,America and south Asia,supplying obsolete and hard-to-find components to meet their specific needs.

With the principle of “Quality Parts,Customers Priority,Honest Operation,and Considerate Service”,our business mainly focus on the distribution of electronic components. Line cards we deal with include Microchip,ALPS,ROHM,Xilinx,Pulse,ON,Everlight and Freescale. Main products comprise IC,Modules,Potentiometer,IC Socket,Relay,Connector.Our parts cover such applications as commercial,industrial, and automotives areas.

We are looking forward to setting up business relationship with you and hope to provide you with the best service and solution. Let us make a better world for our industry!



Contact us

Tel: +86-755-8981 8866 Fax: +86-755-8427 6832

Email & Skype: info@chipsmall.com Web: www.chipsmall.com

Address: A1208, Overseas Decoration Building, #122 Zhenhua RD., Futian, Shenzhen, China



Attenuators (QPL)

MIL-DTL-3933 Qualified (QPL)

Connectivity for
Business-Critical Continuity™

- Available in both Non-Screened and Screened versions
- 100% tested to M3933 requirements
- Designed for Harsh Environment / Military Applications
- DC to 18 GHz performance

Screened Attenuators per Table I of MIL-DTL-3933

Screening Tests:

Thermal Shock
Pre-Conditioning Electrical:

DC Resistance
VSWR

Attenuation

Conditioning

Post-Conditioning Electrical:

DC Resistance
VSWR

Attenuation

Radiographic Inspection

Non-Screened Attenuators per Table IV of MIL-DTL-3933

Group A Inspection Tests

Visual & Mechanical Examination
VSWR

Attenuation

Stability of Attenuation:
After Peak Power

Note: All Screened Attenuators are tested 100% per Table IV and I of MIL-DTL-3933. All Non-Screened Attenuators are tested 100% per Table IV of MIL-DTL-3933.

Emerson Connectivity Solutions, Midwest Microwave product line of Qualified Parts List (QPL) attenuators are qualified, manufactured and tested to the strict requirements of the MIL-DTL-M3933 product specification. Our QPL line of M3933/14, /16, /17 and /25 SMA and TNC attenuators are ruggedly constructed to meet your performance needs in the harshest of military environments.

To service your delivery needs, we strive to make most dB values available in short lead times or even off the shelf, for the most common values. If you would like more information, please contact our customer service department at 507.833.8822 or 800.247.8256.

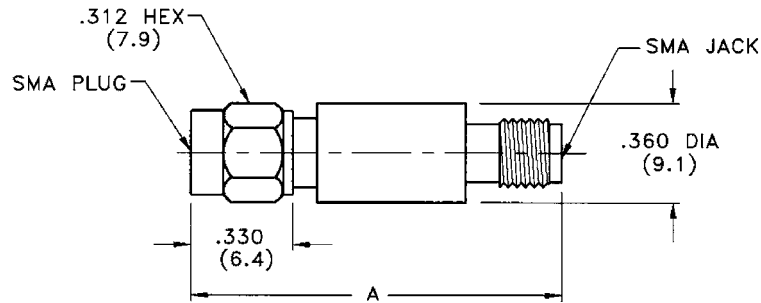


MIL Part Slash No. Group	Description	Frequency (GHz)	Attenuation (dB)
MIL-DTL-3933/25	SMA Subminiature - Male/Female	DC - 4.0, DC - 12.4, DC - 18.0	0 - 20
MIL-DTL-3933/14	SMA Miniature - Male/Female	DC - 12.4	1 - 20
MIL-DTL-3933/16	SMA Miniature - Male/Female	DC - 18.0	0 - 20
MIL-DTL-3933/17	TNC - Male/Female	DC - 4.5, DC - 18.0	1-8, 10, 12, 15, 20

Attenuators – Fixed Coaxial

MIL-DTL-3933/14

Connectivity for
Business-Critical Continuity™



Military Part No.	Midwest Part No.	Dimension A inches (mm) (max.)	Attenuation Value (dB) (nom.)	Frequency Range (GHz)	Commercial Alternate
-01	M3933/14-01N	1.20 (30.5)	3.0	DC - 12.4	ATT-0205-03-SMA-02
-02	M3933/14-02N	1.20 (30.5)	6.0	DC - 12.4	ATT-0205-06-SMA-02
-03	M3933/14-03N	1.20 (30.5)	10.0	DC - 12.4	ATT-0205-10-SMA-02
-04	M3933/14-04N	1.20 (30.5)	20.0	DC - 12.4	ATT-0205-20-SMA-02
-05	M3933/14-05N	1.20 (30.5)	15.0	DC - 12.4	ATT-0205-15-SMA-02
-06	M3933/14-06N	1.20 (30.5)	1.0	DC - 12.4	ATT-0205-01-SMA-02
-07	M3933/14-07N	1.20 (30.5)	2.0	DC - 12.4	ATT-0205-02-SMA-02
-08	M3933/14-08N	1.20 (30.5)	4.0	DC - 12.4	ATT-0205-04-SMA-02
-09	M3933/14-09N	1.20 (30.5)	5.0	DC - 12.4	ATT-0205-05-SMA-02
-10	M3933/14-10N	1.20 (30.5)	7.0	DC - 12.4	ATT-0205-07-SMA-02
-11	M3933/14-11N	1.20 (30.5)	8.0	DC - 12.4	ATT-0205-08-SMA-02
-12	M3933/14-12N	1.20 (30.5)	9.0	DC - 12.4	ATT-0205-09-SMA-02
-18	M3933/14-18N	1.20 (30.5)	16.0	DC - 12.4	ATT-0205-16-SMA-02
-19	M3933/14-19N	1.20 (30.5)	14.0	DC - 12.4	ATT-0205-14-SMA-02
-20	M3933/14-20N	1.20 (30.5)	13.0	DC - 12.4	ATT-0205-13-SMA-02
-21	M3933/14-21N	1.20 (30.5)	12.0	DC - 12.4	ATT-0205-12-SMA-02
-22	M3933/14-22N	1.20 (30.5)	11.0	DC - 12.4	ATT-0205-11-SMA-02
-23	M3933/14-23N	1.20 (30.5)	1.5	DC - 12.4	ATT-0205-72-SMA-02

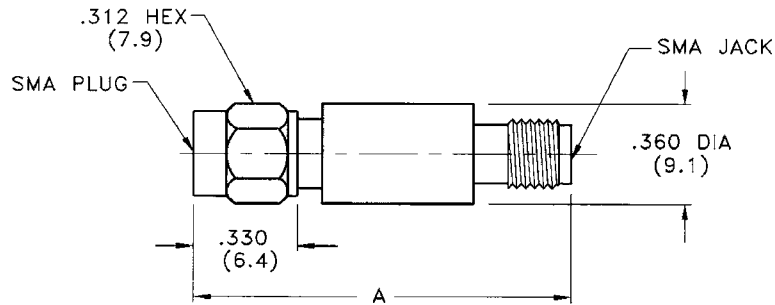
Note:

Midwest Microwave part number reflects a non-screened part. For a screened part, change suffix "N" to "S".

Attenuators – Fixed Coaxials

MIL-DTL-3933/16

Connectivity for
Business-Critical Continuity™



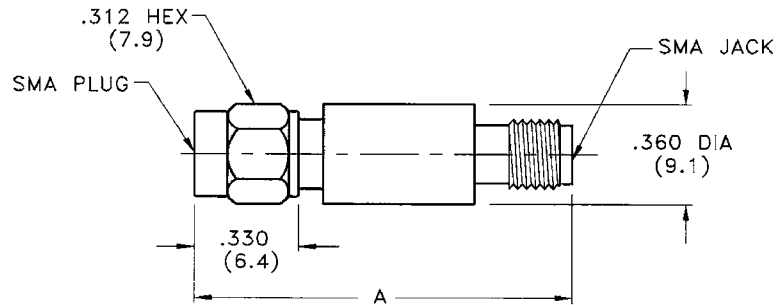
Military Part No.	Midwest Part No.	Dimension A inches (mm) (max.)	Attenuation Value (dB) (nom.)	Frequency Range (GHz)	Commercial Alternate
-01	M3933/16-01N	1.20 (30.5)	3.0	DC - 18.0	ATT-0263-03-SMA-02
-02	M3933/16-02N	1.20 (30.5)	6.0	DC - 18.0	ATT-0263-06-SMA-02
-03	M3933/16-03N	1.20 (30.5)	10.0	DC - 18.0	ATT-0263-10-SMA-02
-04	M3933/16-04N	1.20 (30.5)	20.0	DC - 18.0	ATT-0263-20-SMA-02
-05	M3933/16-05N	1.20 (30.5)	1.0	DC - 18.0	ATT-0263-01-SMA-02
-06	M3933/16-06N	1.20 (30.5)	2.0	DC - 18.0	ATT-0263-02-SMA-02
-07	M3933/16-07N	1.20 (30.5)	4.0	DC - 18.0	ATT-0263-04-SMA-02
-08	M3933/16-08N	1.20 (30.5)	5.0	DC - 18.0	ATT-0263-05-SMA-02
-09	M3933/16-09N	1.20 (30.5)	7.0	DC - 18.0	ATT-0263-07-SMA-02
-10	M3933/16-10N	1.20 (30.5)	8.0	DC - 18.0	ATT-0263-08-SMA-02
-11	M3933/16-11N	1.20 (30.5)	9.0	DC - 18.0	ATT-0263-09-SMA-02
-16	M3933/16-16N	1.20 (30.5)	0	DC - 18.0	ATT-0263-00-SMA-02
-17	M3933/16-17N	1.20 (30.5)	0.5	DC - 18.0	ATT-0263-70-SMA-02
-18	M3933/16-18N	1.20 (30.5)	1.5	DC - 18.0	ATT-0263-71-SMA-02
-19	M3933/16-19N	1.20 (30.5)	2.5	DC - 18.0	ATT-0263-72-SMA-02
-20	M3933/16-20N	1.20 (30.5)	3.5	DC - 18.0	ATT-0263-73-SMA-02
-21	M3933/16-21N	1.20 (30.5)	4.5	DC - 18.0	ATT-0263-74-SMA-02
-22	M3933/16-22N	1.20 (30.0)	5.5	DC - 18.0	ATT-0263-75-SMA-02
-23	M3933/16-23N	1.20 (30.5)	6.5	DC - 18.0	ATT-0263-76-SMA-02
-24	M3933/16-24N	1.20 (30.5)	7.5	DC - 18.0	ATT-0263-77-SMA-02
-25	M3933/16-25N	1.20 (30.5)	8.5	DC - 18.0	ATT-0263-78-SMA-02
-26	M3933/16-26N	1.20 (30.5)	9.5	DC - 18.0	ATT-0263-79-SMA-02
-27	M3933/16-27N	1.20 (30.5)	10.5	DC - 18.0	ATT-0263-80-SMA-02
-28	M3933/16-28N	1.20 (30.5)	11.0	DC - 18.0	ATT-0263-11-SMA-02

Note:
Midwest Microwave part number reflects a non-screened part. For a screened part, change suffix "N" to "S".

Attenuators – Fixed Coaxial

MIL-DTL-3933/16

Connectivity for
Business-Critical Continuity™



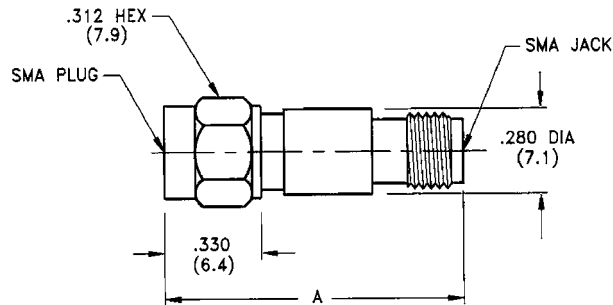
Military Part No.	Midwest Part No.	Dimension A inches (mm) (max.)	Attenuation Value (dB) (nom.)	Frequency Range (GHz)	Commercial Alternate
-29	M3933/16-29N	1.20 (30.5)	11.5	DC - 18.0	ATT-0263-81-SMA-02
-30	M3933/16-30N	1.20 (30.5)	12.0	DC - 18.0	ATT-0263-12-SMA-02
-31	M3933/16-31N	1.20 (30.5)	12.5	DC - 18.0	ATT-0263-82-SMA-02
-32	M3933/16-32N	1.20 (30.5)	13.0	DC - 18.0	ATT-0263-13-SMA-02
-33	M3933/16-33N	1.20 (30.5)	13.5	DC - 18.0	ATT-0263-83-SMA-02
-34	M3933/16-34N	1.20 (30.5)	14.0	DC - 18.0	ATT-0263-14-SMA-02
-35	M3933/16-35N	1.20 (30.5)	14.5	DC - 18.0	ATT-0263-84-SMA-02
-36	M3933/16-36N	1.20 (30.0)	15.0	DC - 18.0	ATT-0263-15-SMA-02
-37	M3933/16-37N	1.20 (30.5)	15.5	DC - 18.0	ATT-0263-85-SMA-02
-38	M3933/16-38N	1.20 (30.5)	16.0	DC - 18.0	ATT-0263-16-SMA-02
-39	M3933/16-39N	1.20 (30.5)	16.5	DC - 18.0	ATT-0263-86-SMA-02
-40	M3933/16-40N	1.20 (30.5)	17.0	DC - 18.0	ATT-0263-17-SMA-02
-41	M3933/16-41N	1.20 (30.5)	17.5	DC - 18.0	ATT-0263-87-SMA-02
-42	M3933/16-42N	1.20 (30.5)	18.0	DC - 18.0	ATT-0263-18-SMA-02
-43	M3933/16-43N	1.20 (30.5)	18.5	DC - 18.0	ATT-0263-88-SMA-02
-44	M3933/16-44N	1.20 (30.5)	19.0	DC - 18.0	ATT-0263-19-SMA-02
-45	M3933/16-45N	1.20 (30.5)	19.5	DC - 18.0	ATT-0263-89-SMA-02

Note:
Midwest Microwave part number reflects a non-screened part. For a screened part, change suffix "N" to "S".

Attenuators – Fixed Coaxial

MIL-DTL-3933/25

Connectivity for
Business-Critical Continuity™



Military Part No.	Midwest Part No.	Dimension A inches (mm) (max.)	Attenuation Value (dB) (nom.)	Frequency Range (GHz)	Commercial Alternate
-01	M3933/25-01N	0.86 (21.9)	1.0	DC - 2.0	ATT-0294-01-SMA-02
-02	M3933/25-02N	0.86 (21.9)	2.0	DC - 2.0	ATT-0294-02-SMA-02
-03	M3933/25-03N	0.86 (21.9)	3.0	DC - 2.0	ATT-0294-03-SMA-02
-04	M3933/25-04N	0.86 (21.9)	4.0	DC - 2.0	ATT-0294-04-SMA-02
-05	M3933/25-05N	0.86 (21.9)	5.0	DC - 2.0	ATT-0294-05-SMA-02
-06	M3933/25-06N	0.86 (21.9)	6.0	DC - 2.0	ATT-0294-06-SMA-02
-07	M3933/25-07N	0.86 (21.9)	7.0	DC - 2.0	ATT-0294-07-SMA-02
-08	M3933/25-08N	0.86 (21.9)	8.0	DC - 2.0	ATT-0294-08-SMA-02
-09	M3933/25-09N	0.86 (21.9)	9.0	DC - 2.0	ATT-0294-09-SMA-02
-10	M3933/25-10N	0.86 (21.9)	10.0	DC - 2.0	ATT-0294-10-SMA-02
-11	M3933/25-11N	0.86 (21.9)	11.0	DC - 2.0	ATT-0294-11-SMA-02
-12	M3933/25-12N	0.86 (21.9)	12.0	DC - 2.0	ATT-0294-12-SMA-02
-13	M3933/25-13N	1.02 (26.0)	13.0	DC - 2.0	ATT-0294-13-SMA-02
-14	M3933/25-14N	1.02 (26.0)	14.0	DC - 2.0	ATT-0294-14-SMA-02
-15	M3933/25-15N	1.02 (26.0)	15.0	DC - 2.0	ATT-0294-15-SMA-02
-16	M3933/25-16N	1.02 (26.0)	16.0	DC - 2.0	ATT-0294-16-SMA-02
-17	M3933/25-17N	1.02 (26.0)	17.0	DC - 2.0	ATT-0294-17-SMA-02
-18	M3933/25-18N	1.02 (26.0)	18.0	DC - 2.0	ATT-0294-18-SMA-02
-19	M3933/25-19N	1.02 (26.0)	19.0	DC - 2.0	ATT-0294-19-SMA-02
-20	M3933/25-20N	1.02 (26.0)	20.0	DC - 2.0	ATT-0294-20-SMA-02
-27	M3933/25-27N	0.86 (21.9)	1.0	DC - 12.4	ATT-0291-01-SMA-02
-28	M3933/25-28N	0.86 (21.9)	2.0	DC - 12.4	ATT-0291-02-SMA-02
-29	M3933/25-29N	0.86 (21.9)	3.0	DC - 12.4	ATT-0291-03-SMA-02
-30	M3933/25-30N	0.86 (21.9)	4.0	DC - 12.4	ATT-0291-04-SMA-02
-31	M3933/25-31N	0.86 (21.9)	5.0	DC - 12.4	ATT-0291-05-SMA-02
-32	M3933/25-32N	0.86 (21.9)	6.0	DC - 12.4	ATT-0291-06-SMA-02
-33	M3933/25-33N	0.86 (21.9)	7.0	DC - 12.4	ATT-0291-07-SMA-02
-34	M3933/25-34N	0.86 (21.9)	8.0	DC - 12.4	ATT-0291-08-SMA-02
-35	M3933/25-35N	0.86 (21.9)	9.0	DC - 12.4	ATT-0291-09-SMA-02

Note:
Midwest Microwave part number reflects a non-screened part. For a screened part, change suffix "N" to "S".

Attenuators – Fixed Coaxial

MIL-DTL-3933/25 (Continued from previous page)

Connectivity for
Business-Critical Continuity™

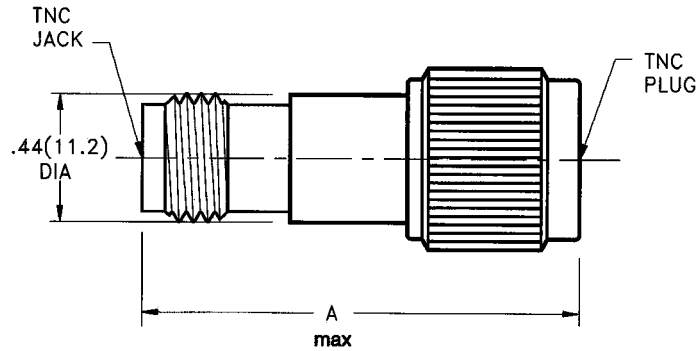
Military Part No.	Midwest Part No.	Dimension A – inches (mm) (max.)	Attenuation Value (dB) (nom.)	Frequency Range (GHz)	Commercial Alternate
- 36	M3933/25-36N	0.86 (21.9)	10.0	DC - 12.4	ATT-0291-10-SMA-02
- 37	M3933/25-37N	0.86 (21.9)	11.0	DC - 12.4	ATT-0291-11-SMA-02
- 38	M3933/25-38N	0.86 (21.9)	12.0	DC - 12.4	ATT-0291-12-SMA-02
- 39	M3933/25-39N	0.94 (23.9)	13.0	DC - 12.4	ATT-0291-13-SMA-02
- 40	M3933/25-40N	0.94 (23.9)	14.0	DC - 12.4	ATT-0291-14-SMA-02
- 41	M3933/25-41N	0.94 (23.9)	15.0	DC - 12.4	ATT-0291-15-SMA-02
- 42	M3933/25-42N	0.94 (23.9)	16.0	DC - 12.4	ATT-0291-16-SMA-02
- 43	M3933/25-43N	0.94 (23.9)	17.0	DC - 12.4	ATT-0291-17-SMA-02
- 44	M3933/25-44N	0.94 (23.9)	18.0	DC - 12.4	ATT-0291-18-SMA-02
- 45	M3933/25-45N	0.94 (23.9)	19.0	DC - 12.4	ATT-0291-19-SMA-02
- 46	M3933/25-46N	1.02 (26.0)	20.0	DC - 12.4	ATT-0291-20-SMA-02
- 58	M3933/25-58N	0.86 (21.9)	0	DC - 18.0	ATT-0290-00-SMA-02
- 59	M3933/25-59N	0.86 (21.9)	0.5	DC - 18.0	ATT-0290-70-SMA-02
- 60	M3933/25-60N	0.86 (21.9)	1.0	DC - 18.0	ATT-0290-01-SMA-02
- 61	M3933/25-61N	0.86 (21.9)	1.5	DC - 18.0	ATT-0290-71-SMA-02
- 62	M3933/25-62N	0.86 (21.9)	2.0	DC - 18.0	ATT-0290-02-SMA-02
- 63	M3933/25-63N	0.86 (21.9)	2.0	DC - 18.0	ATT-0290-72-SMA-02
- 64	M3933/25-64N	0.86 (21.9)	3.0	DC - 18.0	ATT-0290-03-SMA-02
- 65	M3933/25-65N	0.86 (21.9)	3.5	DC - 18.0	ATT-0290-73-SMA-02
- 66	M3933/25-66N	0.86 (21.9)	4.0	DC - 18.0	ATT-0290-04-SMA-02
- 67	M3933/25-67N	0.86 (21.9)	4.5	DC - 18.0	ATT-0290-74-SMA-02
- 68	M3933/25-68N	0.86 (21.9)	5.0	DC - 18.0	ATT-0290-05-SMA-02
- 69	M3933/25-69N	0.86 (21.9)	5.5	DC - 18.0	ATT-0290-75-SMA-02
- 70	M3933/25-70N	0.86 (21.9)	6.0	DC - 18.0	ATT-0290-06-SMA-02
- 71	M3933/25-71N	0.86 (21.9)	6.5	DC - 18.0	ATT-0290-76-SMA-02
- 72	M3933/25-72N	0.86 (21.9)	7.0	DC - 18.0	ATT-0290-07-SMA-02
- 73	M3933/25-73N	0.86 (21.9)	7.5	DC - 18.0	ATT-0290-77-SMA-02
- 74	M3933/25-74N	0.86 (21.9)	8.0	DC - 18.0	ATT-0290-08-SMA-02
- 75	M3933/25-75N	0.86 (21.9)	8.5	DC - 18.0	ATT-0290-78-SMA-02
- 76	M3933/25-76N	0.86 (21.9)	9.0	DC - 18.0	ATT-0290-09-SMA-02
- 77	M3933/25-77N	0.86 (21.9)	9.5	DC - 18.0	ATT-0290-79-SMA-02
- 78	M3933/25-78N	0.86 (21.9)	10.0	DC - 18.0	ATT-0290-10-SMA-02
- 79	M3933/25-79N	0.86 (21.9)	11.0	DC - 18.0	ATT-0290-11-SMA-02
- 80	M3933/25-80N	0.86 (21.9)	12.0	DC - 18.0	ATT-0290-12-SMA-02
- 81	M3933/25-81N	0.94 (23.9)	13.0	DC - 18.0	ATT-0290-13-SMA-02
- 82	M3933/25-82N	0.94 (23.9)	14.0	DC - 18.0	ATT-0290-14-SMA-02
- 83	M3933/25-83N	1.02 (26.0)	15.0	DC - 18.0	ATT-0290-15-SMA-02
- 84	M3933/25-84N	1.02 (26.0)	16.0	DC - 18.0	ATT-0290-16-SMA-02
- 85	M3933/25-85N	1.02 (26.0)	17.0	DC - 18.0	ATT-0290-17-SMA-02
- 86	M3933/25-86N	1.02 (26.0)	18.0	DC - 18.0	ATT-0290-18-SMA-02
- 87	M3933/25-87N	1.02 (26.0)	19.0	DC - 18.0	ATT-0290-19-SMA-02
- 88	M3933/25-88N	1.02 (26.0)	20.0	DC - 18.0	ATT-0290-20-SMA-02

Note:
Midwest Microwave part number reflects a non-screened part. For a screened part, change suffix "N" to "S".

Attenuators-TNC Type-Fixed Coaxial

Connectivity for
Business-Critical Continuity™

MMIL-DTL-3933/17



Military Part No.	Midwest Part No.	Dimension A inches (mm) (max.)	Attenuation Value (dB) (nom.)	Frequency Range (GHz)	Commercial Alternate
-01	M3933/17-01N	1.57 (39.9)	1.0	DC - 4.5	ATT-0224-01-TNC-02
-02	M3933/17-02N	1.57 (39.9)	2.0	DC - 4.5	ATT-0224-02-TNC-02
-03	M3933/17-03N	1.57 (39.9)	3.0	DC - 4.5	ATT-0224-03-TNC-02
-04	M3933/17-04N	1.57 (39.9)	4.0	DC - 4.5	ATT-0224-04-TNC-02
-05	M3933/17-05N	1.57 (39.9)	5.0	DC - 4.5	ATT-0224-05-TNC-02
-06	M3933/17-06N	1.57 (39.9)	6.0	DC - 4.5	ATT-0224-06-TNC-02
-07	M3933/17-07N	1.57 (39.9)	20.0	DC - 18.0	ATT-0225-20-TNC-02
-09	M3933/17-09N	1.57 (39.9)	1.0	DC - 18.0	ATT-0225-01-TNC-02
-10	M3933/17-10N	1.57 (39.9)	2.0	DC - 18.0	ATT-0225-02-TNC-02
-11	M3933/17-11N	1.57 (39.9)	3.0	DC - 18.0	ATT-0225-03-TNC-02
-12	M3933/17-12N	1.57 (39.9)	4.0	DC - 18.0	ATT-0225-04-TNC-02
-13	M3933/17-13N	1.57 (39.9)	5.0	DC - 18.0	ATT-0225-05-TNC-02
-14	M3933/17-14N	1.57 (39.9)	6.0	DC - 18.0	ATT-0225-06-TNC-02
-15	M3933/17-15N	1.57 (39.9)	7.0	DC - 18.0	ATT-0225-07-TNC-02
-16	M3933/17-16N	1.57 (39.9)	8.0	DC - 18.0	ATT-0225-08-TNC-02
-17	M3933/17-17N	1.57 (39.9)	10.0	DC - 18.0	ATT-0225-10-TNC-02
-18	M3933/17-18N	1.57 (39.9)	12.0	DC - 18.0	ATT-0225-12-TNC-02
-19	M3933/17-19N	1.57 (39.9)	15.0	DC - 18.0	ATT-0225-15-TNC-02

Note:

Midwest Microwave part number reflects a non-screened part. For a screened part, change suffix "N" to "S".

Emerson Network Power Connectivity Solutions

US Headquarters

3000 Lakeside Drive, Ste. 308N
Bannockburn, IL 60015, USA

North America

299 Johnson Avenue, Ste. 100
Waseca, MN 56093, USA
Toll Free: 800.247.8256
Tel: +1 507.833.8822
Fax: +1 507.833.6287

ECSorders@Emerson.com

Europe, Middle East, Africa

Emerson Network Power Connectivity Solutions, Ltd.
7-13 Russell Way
Widford Industrial Estate
Chelmsford, Essex CM1 3AA
Tel: +44 1245.359.515
Fax: +44 1245.358.938

EMEAConnectivitySales@Emerson.com

Asia Pacific

Emerson Network Power Connectivity Solutions
(Shanghai) Co., Ltd.
Building 1, No. 800 ShenFu Road
XinZhliang Industry Park
Shanghai, China 201108
Tel: +86 21.5442.7668
Fax: +86 21.5442.7628

APConnectivitySales@Emerson.com

About Emerson Network Power Connectivity Solutions

Emerson Network Power Connectivity Solutions, an Emerson business, serves the needs of wireless communications, military, telephony and data networks, CATV security systems, health care, military and industrial facilities with a full spectrum of RF/microwave and fiber optic connectivity products. For more information, visit www.EmersonConnectivity.com

About Emerson

Emerson (NYSE: EMR), based in St. Louis, is a global leader in bringing technology and engineering together to provide innovative solutions to customers through its network power, process management, industrial automation, climate technologies, and appliance and tools businesses. For more information, visit www.Emerson.com



www.EmersonNetworkPower.com/Connectivity
www.EmersonConnectivity.com

Emerson Network Power.
The global leader in enabling
Business-Critical Continuity™.

■ AC Power
■ Connectivity
■ DC Power
■ Embedded Computing

■ Embedded Power
■ Industrial Power
■ Infrastructure Management & Monitoring
■ Outside Plant

■ Power Switching & Controls
■ Precision Cooling
■ Racks & Integrated Cabinets
■ Services